

成  
于  
坚  
韧  
量  
出  
完  
美

Built on Perseverance Measure to Perfection



成都新成量工具有限公司  
Chengdu New Chengliang Tools Co., Ltd.  
(成都成量工具集团有限公司)  
(Chengdu Chengliang Tools Group Co., Ltd.)



量 具  
Measuring Tools



WWW.CHINACHENGLIANG.COM

## Brief Introduction 公司简介

成都成量工具集团有限公司始建于1956年，是国家“一五”计划重点建设项目之一，是国家工量具重点生产企业和出口基地。现坐落在成都市新都区绕城大道南一段199号，是一座占地248亩、建筑面积12.8万平房米、绿化面积4.5万多平方米的现代化企业。公司现有总资产近12亿，职工1500余名，专业技术人员300余名，是国家高新技术企业，国家级大型骨干企业。在国内工量具行业中，企业销售规模长期居行业前列。

成量公司专业从事通用量具、通用刀具、数控刀具、硬质合金刀片、数控专用机床、仪器以及汽摩检具的研发和制造，产品涵盖5大类、600多个品种、数万个规格，拥有各种设备1500余台（套），其中大型、高精度和数控机床400余台，检测仪器360余台。具备年生产刀具5000万件，量具量仪200万件，数控刀具45万件，硬质合金制品100吨的生产能力。

2015年公司引进了涂层设备和丝锥、量规产品进口专用设备。引进涂层生产线，可对刀具产品进行表面PVD涂层处理，提高刀具的使用寿命和性能，提高刀具产品的档次和竞争力，满足在数控机床、能源、交通等行业在机械加工中的高速、高效、高可靠性、高精度等要求，替代进口刀具。

公司坚持“树立品牌意识，打造名牌产品”的品牌建设理念，在行业首家通过了ISO9001质量体系认证、ISO10012:2003测管体系认证和ISO14001:2004环境管理体系认证、美国石油学会石油量规产品API体系认证，执行国家、行业、企业标准近400个，产品标准覆盖率达100%。其主导产品先后获得6种国家金、银质奖，“川”牌产品被评为四川省名牌产品。2009年通过国家高新技术企业和四川省企业技术中心认定，2011年建立了四川省省级院士工作站。

公司具有完善的营销网络和一流的服务体系，目前在全国主要中心城市设立了190多个销售分公司和授权经销公司，在国外设立了14个经销商网点，在天猫商城开通了“成量旗舰店”网络销售平台，其产品广泛应用于机床、汽车、军工、航空、航天、工程机械、能源、农机等重点行业，畅销全国28个省、市、自治区，远销美国、德国、俄罗斯等10余个国家和地区。

公司以“为用户创造更大价值，让员工与企业共成长”为企业使命，以“一流的人才团队，卓越的品质追求，持续的创新驱动，完善的市场服务”为核心价值观，以技术创新为动力，以科学管理为保证，在多元化、品牌化、国际化战略引导下，正发扬百折不挠，自强不息的企业精神，努力振兴和发展民族工量具产业，为实现“打造百年成量，争做行业翘楚”的企业愿景而奋斗。

Chengdu Chengliang Tools Group Co., Ltd was found in 1956. Being one of the key projects during the National "First Five-year Plan" period, it is the nation's key measuring tools manufacturer and export base. Currently located in No.199, South Block 1, City Ring Road, Xindu District, Chengdu, it is a modern enterprise occupying over 248 mu and covering a construction area of over 128,000 sq.m, and green land of over 45,000 sq.m. At present, the company has a total asset of almost 1.2 billion Yuan, more than 1600 staff, including over 300 engineering technicians. The company is a high-tech enterprise and a state-level large-scale backbone enterprise. Within domestic measuring tools industry, the sales scale is always on top.

Chengliang is specialized in developing and manufacturing measuring tools, HSS cutting tools, CNC tools, carbide cutting tools, CNC, precision measuring instruments to the gauges for automobiles and motorcycles, which cover five major categories, 600 varieties for tens of thousands of items. The company owns more than 1500 sets of advanced equipment, including over 400 large-scale, high precision CNCs and over 360 detecting instruments. It has the capacity of producing 50 million pieces of HSS cutting tools, 2 million measuring tools and instruments, 450,000 CNC tools and 100 tons of carbide cutting tools.

The company has imported coating equipment and special equipment for the thread gauge, screw tap, etc. The imported production line of coating equipment enables it to handle PVD coatings of cutting tools, consequently to increase tools' working life and performance and enhance the grade and competitiveness of cutting tools. It meets the requirements of machining, which are high speed, high efficiency, high reliability and high precision, in the areas of CNC machine, energy, transportation etc. There is no doubt that it substitutes for imported cutting tools.

The company has been adhering to the principle "Building Brand Awareness and Producing Famous Products". It has fully conformed to over 400 national, industry and enterprise standards. It has been the first of the industry to be certified in quality and measurement system, respectively by ISO9001 and ISO10012. Besides, it has been awarded ISO14001:2004 environmental management certificate and also API SPEC Q1 and API SPEC 5B for oil gauges. Its main products have won six National Gold and Silver medals. Chuan brand products have been awarded Sichuan Famous Products. The company has been identified as national high-tech enterprise and Sichuan provincial enterprise technology center since 2009, and it established Sichuan provincial academician workstation since 2011.

The Company has perfect marketing network and first-class service system. Currently, it has established more than 190 sales branches and authorized companies in principle central cities nationwide and fourteen dealers abroad. "Chengliang flagship store" online sales platform has been set up on Tmall. Its products are widely used in the areas of machine tools, automobiles, military, aviation and farm machineries. The sales cover 28 provinces, cities and autonomous regions nationwide as well as over 10 countries and regions abroad, including the US, Germany and Russian.

The Chengliang Company moves forward on the mission of "Creating higher value for customers, cultivating employees with the enterprise", and the core values of "First-class talent team, extraordinary quality, ceaseless innovating driving and perfect market service". With technological innovation as the impetus, scientific management as the guarantee and under the guidance of diversification, branding, Internationalization strategy, the company is implementing the unswerving and persevered entrepreneurship and strongly promoting and developing first-class measuring tools industry so as to strive for the corporate vision "Forging an everlasting Chengliang, becoming the industrial leader".



成都新成量工具有限公司  
Chengdu New Chengliang Tools Co., Ltd.  
(成都成量工具集团有限公司)  
(Chengdu Chengliang Tools Group Co., Ltd.)



## 目录

### Table of Contents

A. 卡尺	A01-27
Caliper	
B. 千分尺	B01-25
Micrometer	
C. 量表	C01-19
Indicators	
D. 直尺及角度尺	D01-04
Straightedge and angle ruler	
F. 量块	F01-14
Block Gauge	
N. 数据传输	N01
Data transmission	



## A.卡尺目录 A. Caliper Catalog

标准卡尺 Standard Calipers	
数显卡尺 Digital Calipers	A01-04
游标卡尺 Vernier Calipers	A05-10
带表卡尺 Dial Calipers	A11
大型卡尺 Large-scale Calipers	
圆弧爪数显卡尺 Circular Jaw Digital Calipers	A12
圆弧爪游标卡尺 Circular Jaw Vernier Calipers	A13
矩形管尺身圆弧爪游标卡尺 Circular Jaw Vernier Calipers with Rectangular Tube Body	A14
专用卡尺 Special Calipers	
内环槽卡尺 Inner Ring Groove Calipers	A15-16
外环槽卡尺 Outer Ring Groove Calipers	A17
长爪卡尺 Long Jaw Calipers	A18
鸭嘴游标卡尺 Duckbill Vernier Calipers	A19
垫环槽卡尺 Backing Ring Groove Calipers	A20
深度卡尺 Depth Calipers	
数显深度卡尺 Digital Depth Calipers	A21
游标深度卡尺 Vernier Depth Calipers	A22
闭式游标深度卡尺 Mono Block Vernier Depth Calipers	A23
带钩游标深度卡尺 Hooked Vernier Depth Calipers	A24
带表深度卡尺 Dial Depth Calipers	A25
高度卡尺 Height Gauges	
数显高度卡尺 Digital Height Gauges	A26
游标高度卡尺 Vernier Height Gauges	A27

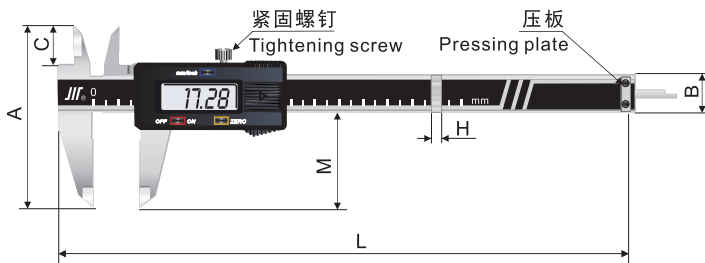
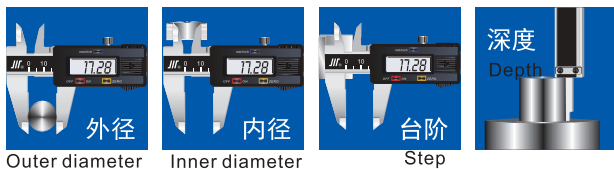
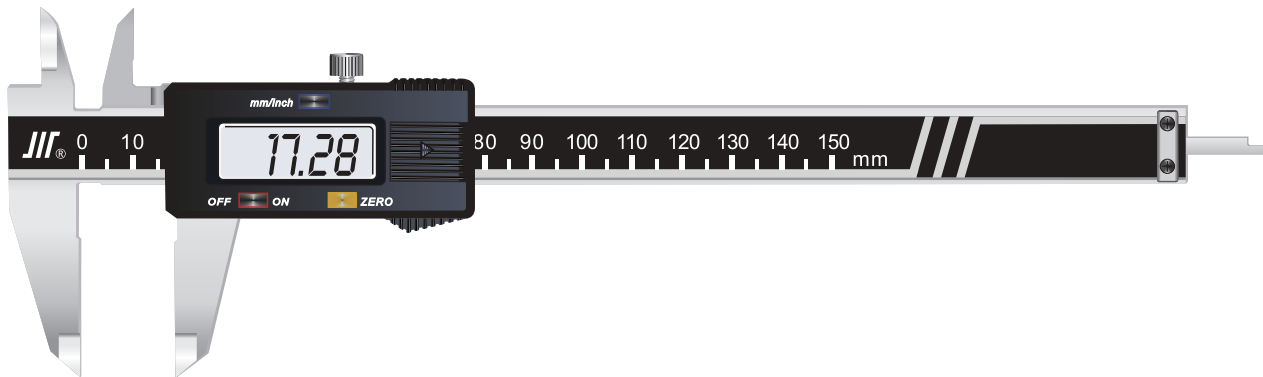


### 数显卡尺\*0~300mm

Digital Calipers \*0-300mm

执行标准: GB/T 21389-2008

Executive standard: GB/T 21389-2008



### 特点 Characteristics

- 适用于测量外尺寸、内尺寸、台阶及深度。
- Suitable for measuring external dimensions, internal dimensions, steps, and depth.
- 置零, 开/关, 公/英制转换。
- Zero setting, on/off, metric/imperial conversion.
- 不锈钢制造。
- Made of stainless steel.

- 可选附件: Micro USB接口输出线或我厂无线传输产品
- Optional accessories: Micro USB output cable.
- 纽扣电池: LR44-1.55V.
- Button cell: LR44-1.55V.

CR2032 (300大屏)

CR2032 (300 large screen)



### 主要技术参数

#### Main technical parameters

产品代码 Product code	测量范围mm Measuring range mm	分辨率mm/in Resolution mm/In	精度mm Precision mm	库存 Inventory
1013010001	0-100	0.01/0.0005	±0.02	常备 Running stock
1013015001	0-150 (超屏)	0.01/0.0005	±0.03	常备 Running stock
1013020001	0-200 (超屏)	0.01/0.0005	±0.03	常备 Running stock
1013030101	0-300 (大屏)	0.01/0.0005	±0.04	常备 Running stock

### 主要尺寸

#### Main dimension

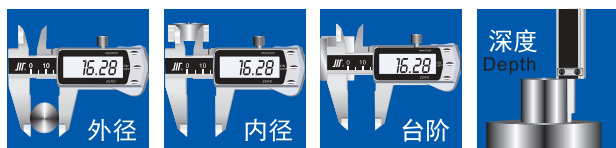
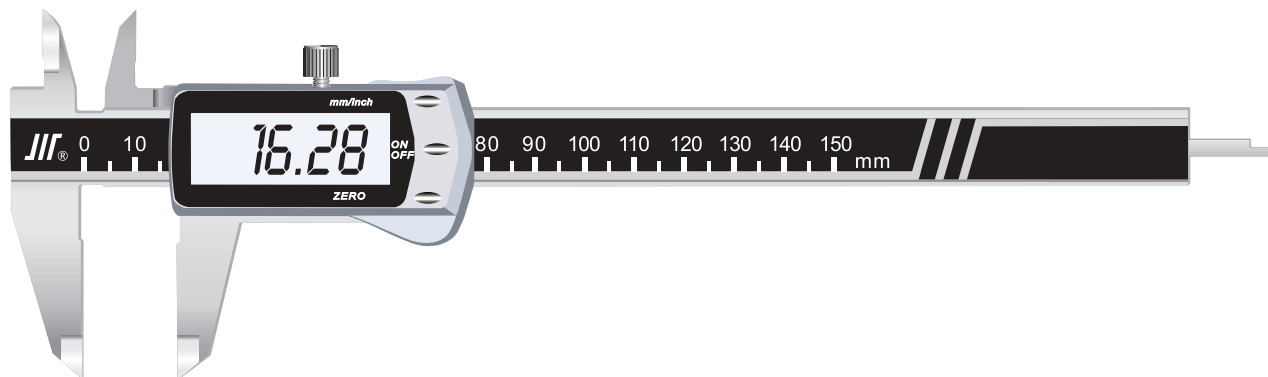
测量范围mm Measuring range mm	基本尺寸 (mm) Basic dimensions (mm)						紧固螺钉 Fastening screw 	电池 Cell 
	L	A	B	C	H	M		
0-100	170	61	13.2	13.4	3.3	30	M2.5x8	5013090100
0-150	234	77	16	16.5	3.5	40	M2.5x8	5013090100
0-200	289	89	16	18.5	3.5	50	M2.5x8	5013090100
0-300	405	111	19	22	4.0	64	M2.5x8	5013099001

A01

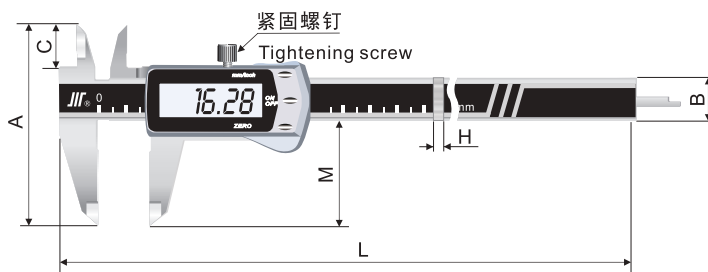


## 金属壳数显卡尺\*0~200mm

Metal Shell Digital Calipers\*0-200mm  
执行标准: GB/T 21389-2008  
Executive standard: GB/T 21389-2008



Outer diameter Inner diameter Step 深度 Depth



### 特点 Characteristics

- 金属壳体、超大屏显示; 适用于测量外尺寸、内尺寸、台阶及深度尺寸。
- Metal casing and super screen display; applicable to the measurement of external dimension, internal dimension, step and depth.
- 置零, 开/关, 公/英制转换。
- Zero setting, on/off, metric/imperial conversion.
- 不锈钢制造。
- Made of stainless steel.
- 钮扣锂电池: CR2032-3V.
- Button lithium cell :CR2032-3V.

### 主要技术参数

#### Main technical parameters

产品代码 Product code	测量范围mm Measuring range mm	分辨力mm/in Resolution mm/in	精度mm Precision mm	库存 Inventory
1013015051	0-150	0.01/0.0005	±0.03	常备 Running stock
1013020051	0-200	0.01/0.0005	±0.03	常备 Running stock

### 主要尺寸

#### Main dimension

测量范围mm Measuring range mm	基本尺寸 (mm) Basic dimensions (mm)						紧固螺钉 Fastening screw	电池 Cell
	L	A	B	C	H	M		
0-150	234	77	16	16.5	3.5	40	M2. 5x8	5013099001
0-200	289	89	16	18.5	3.5	50	M2. 5x8	5013099001



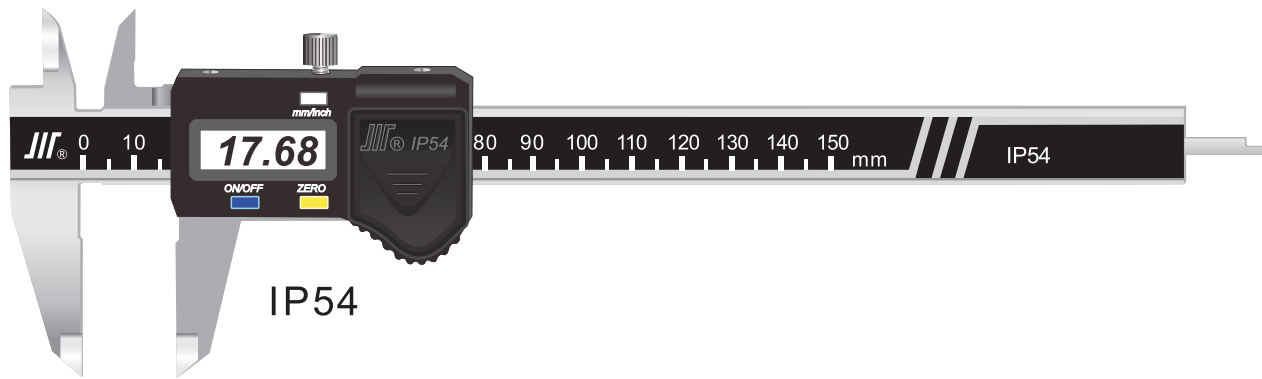


## 防水数显卡尺 (IP54) \*0~200mm

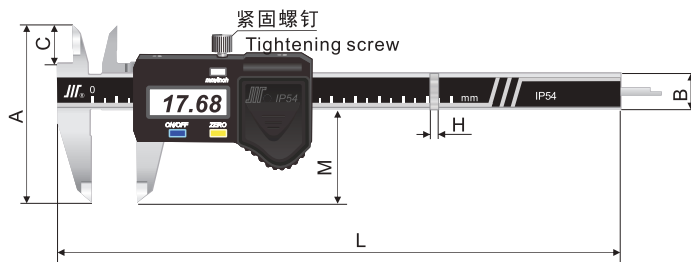
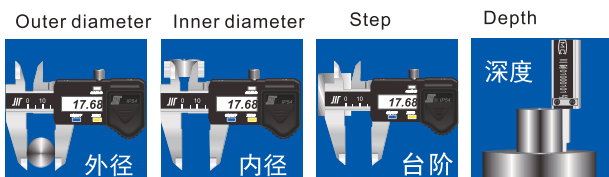
IP54 Digital Calipers \*0-200mm

执行标准: GB/T 21389-2008

Executive standard: GB/T 21389-2008



IP54



### 特点 Characteristics

- 适用于测量外尺寸、内尺寸、台阶及深度。
- Suitable for measuring external dimensions, internal dimensions, steps, and depth.
- 尘/水防护等级: IP54; 可在有油、液溅射环境中使用。
- Dust/water protection level: IP54; workable under environments with splattering of oil or liquid.
- 置零, 开/关, 公/英制转换。
- Zero setting, on/off, metric/imperial conversion.
- 无数据输出功能
- Without data output function.
- 不锈钢制造。
- Made of stainless steel.
- 超大屏显示, 读数更方便。
- Super screen display, more convenient for reading.
- 钮扣锂电池: CR2032-3V。
- Button lithium cell: CR2032-3V.

### 主要技术参数

#### Main technical parameters

产品代码 Product code	测量范围mm Measuring range mm	分辨力mm/in Resolution mm/in	精度mm Precision mm	库存 Inventory
1013015041	0-150	0.01/.0005	±0.03	常备 Running stock
1013020041	0-200	0.01/.0005	±0.03	常备 Running stock

### 主要尺寸

#### Main dimension

测量范围mm Measuring range mm	基本尺寸 (mm) Basic dimensions (mm)						紧固螺钉 Fastening screw	电池 Cell
	L	A	B	C	H	M		
0-150	234	77	16	16.5	3.5	40	M2.5x8	5013099001
0-200	289	89	16	18.5	3.5	50	M2.5x8	5013099001

A03

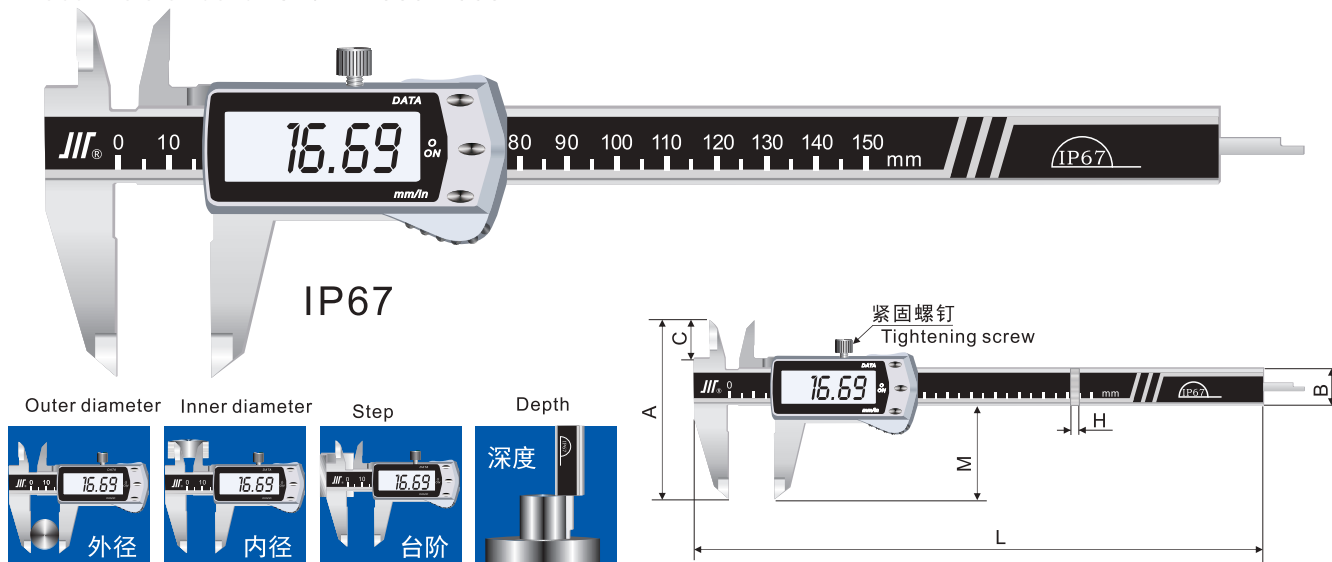


## 防水数显卡尺(IP67)\*0~200mm

IP67 Digital Calipers \*0-200mm

执行标准: GB/T 21389-2008

Executive standard: GB/T 21389-2008



A 卡尺 A. Caliper

### 特点 Characteristics

工作原理: 电磁感应原理设计, 精度高, 响应速度快。

Working principle: Designed based on electromagnetic induction principle, with high precision and fast response speed.

优势推荐: 超大屏显示, 读数直观, 操作更方便。不锈钢制造。产品防护等级达到IP67, 能有效防尘、防水、防油、抗电磁干扰。它甚至可短时间内在水中使用, 适合在现场较恶劣的环境下使用。

Advantages: super screen display, direct reading, and more convenient operation. Made of stainless steel. Product protection level reaches IP67, which can effectively prevent dust, water, oil and electromagnetic interference. It can even work in water shortly, and is suitable for onsite operation under malicious environment.

• 主要功能: 电子组件气密性设计好, 防护等级达到IP67; 开/关机; 公/英制转换; 置零; CR2032型3V环保锂电池供电。

• Main functions: electronic components with good airtight design and Ip67 protection level; power on/off; metric/imperial conversion; zero setting; CR2032 3V environmentally friendly lithium battery power supply.

### 主要技术参数

#### Main technical parameters

产品代码 Product code	测量范围mm Measuring range mm	分辨力mm/in Resolution mm/in	精度mm Precision mm	无线传输功能 Wireless transmission function	库存 Inventory
1013015161	0-150	0.01/.0005	±0.03	无	常备 Running stock
1013020161	0-200	0.01/.0005	±0.03	无	常备 Running stock

### 主要尺寸

#### Main dimension

测量范围mm Measuring range mm	基本尺寸 (mm) Basic dimensions (mm)						紧固螺钉 Fastening screw	电池 Cell
	L	A	B	C	H	M		
0-150	234	77	16	16.5	3.5	40	M2.5x8	5013099001
0-200	289	89	16	18.5	3.5	50	M2.5x8	5013099001

A04

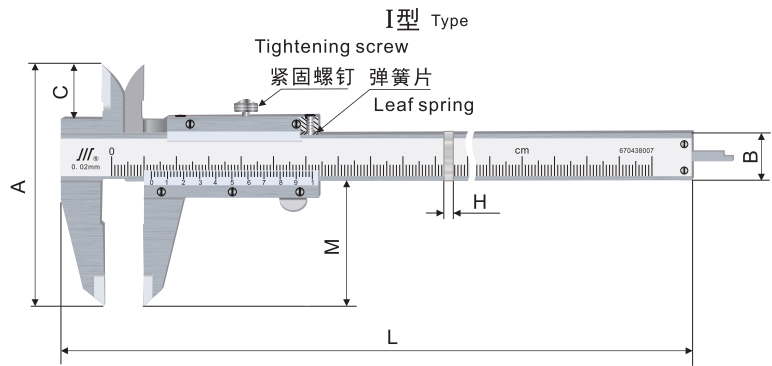
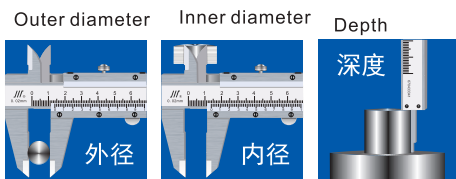
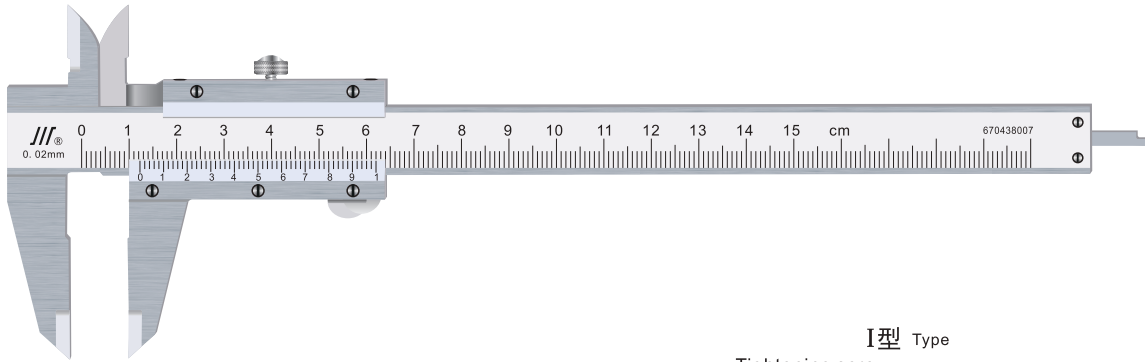


## 三用游标卡尺\* I 型 0~150mm

Vernier Calipers \*type I 0-150mm

执行标准: GB/T 21389-2008

Executive standard: GB/T 21389-2008



### 特点 Characteristics

- 适用于测量外尺寸、内尺寸及深度。  
• Suitable for measuring external dimensions, internal dimensions, steps, and depth.
- 碳钢制造。  
• Made of carbon steel.
- 刻度尺面镀铬。  
• Chromeplated caliper surface.
- 测量面淬硬和研磨。  
• Hardened and ground measuring surface.


### 主要技术参数

#### Main technical parameters

产品代码 Product code	测量范围mm Measuring range mm	分度值mm Resolution mm/in	精度mm Precision mm	库存 Inventory
1012012502	0-125	0.02	±0.03	常备 Running stock
1012001502	0-150	0.02	±0.03	常备 Running stock

### 主要尺寸

#### Main dimension

测量范围mm Measuring range mm	基本尺寸 (mm) Basic dimensions (mm)						紧固螺钉 Fastening screw 
	L	A	B	C	H	M	
0-125	205	76	15	17	3	40	M2x5.5
0-150	230	76	15	17	3	40	M2x5.5

- 可提供分度值0.05mm三用游标卡尺。  
• Three-purpose vernier calipers with division value of 0.05mm are available.

A05

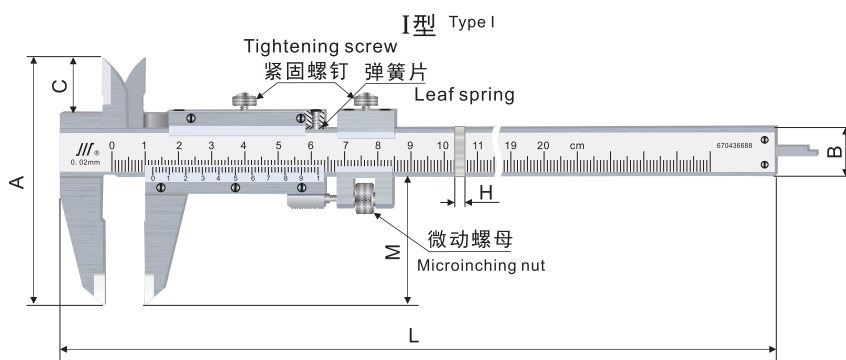
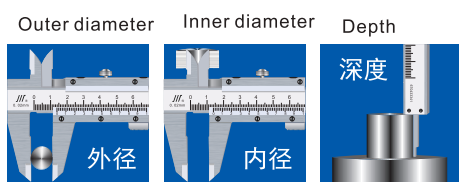
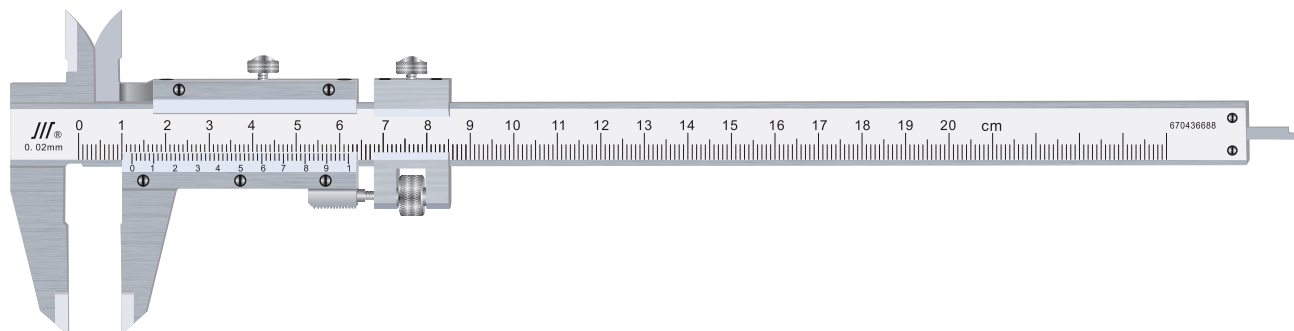


## 三用带微动游标卡尺\* I 型 0~200mm

Vernier Caliper with Fine Adjustment \*type I 0-200mm

执行标准: GB/T 21389-2008

Executive standard: GB/T 21389-2008



### 特点 Characteristics

- 适用于测量外尺寸、内尺寸及深度。  
• Applicable to the measurement of external dimension, internal dimension and depth.
- 碳钢制造。  
• Made of carbon steel.
- 带微动装置。  
• With a microinching unit
- 刻度尺面镀铬。  
• Chromeplated caliper surface.
- 测量面淬硬和研磨。  
• Hardened and ground measuring surface.


### 主要技术参数

Main technical parameters

产品代码 Product code	测量范围mm Measuring range mm	分度值mm Division value mm	精度mm Precision mm	库存 Inventory
1012002002	0-200	0.02	±0.03	常备 Running stock

### 主要尺寸

Main dimension

测量范围mm Measuring range mm	基本尺寸 (mm) Basic dimensions (mm)						紧固螺钉 Fastening screw 
	L	A	B	C	H	M	
0-200	301	83.5	16	18	3	45	M2x5.5

- 可提供分度值0.05mm三用游标卡尺。  
• Three-purpose vernier calipers with division value of 0.05mm are available.



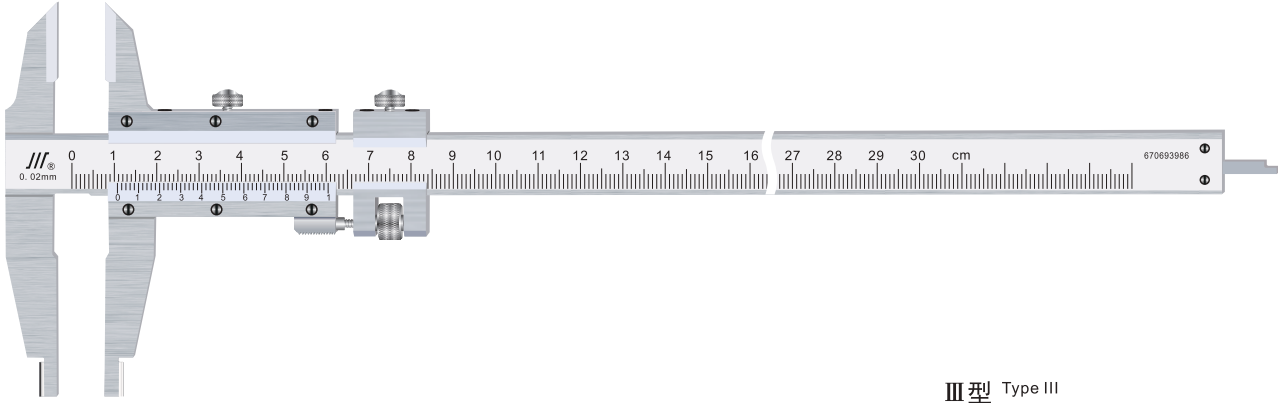


## 三用正爪带微动游标卡尺\*Ⅲ型 0~300mm

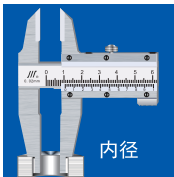
Vernier Calipers with Fine Adjustment \*type III 0-300mm

执行标准: GB/T 21389-2008

Executive standard: GB/T 21389-2008

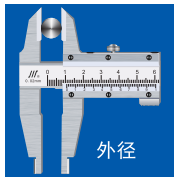


Inner diameter



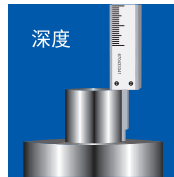
内径

Outer diameter

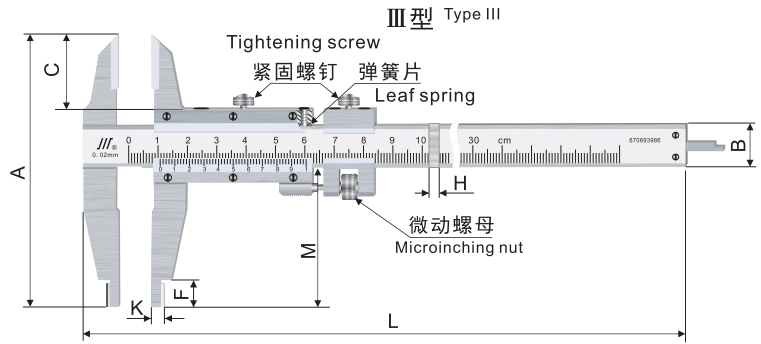


外径

Depth



深度



Ⅲ型 Type III

Tightening screw

紧固螺钉

弹簧片

Leaf spring

微动螺母

Microinching nut

### 特点 Characteristics

- 适用于精确测量内尺寸、外尺寸及深度。
- Applicable to accurate measurement of external dimension, internal dimension and depth.
- 圆弧内量爪带有标准型外量爪。
- With circular inner measuring jaw and standard outer measuring jaw.
- 碳钢或不锈钢制造。
- Made of carbon steel or stainless steel.
- 带微动装置。
- With a microinching unit
- 刻度尺面镀铬。
- Chromeplated caliper surface.
- 测量面淬硬和研磨。
- Hardened and ground measuring surface.


### 主要技术参数

#### Main technical parameters

产品代码 Product code		测量范围mm Measuring range mm	分度值mm Resolution mm/in	精度mm Precision mm	库存 Inventory
碳钢 Carbon steel	不锈钢 Stainless steel				
1012003012	1012003052	0-300	0.02	±0.04	常备 Running stock

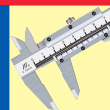
### 主要尺寸

#### Main dimension

测量范围mm Measuring range mm	基本尺寸 (mm) Basic dimensions (mm)								紧固螺钉 Fastening screw 
	L	A	B	C	H	M	F	K	
0-300	410	115	17	32	4	60	11	5	M2.5x8

- 可提供分度值0.05mm三用游标卡尺。
- Three-purpose vernier calipers with division value of 0.05mm are available.

A07

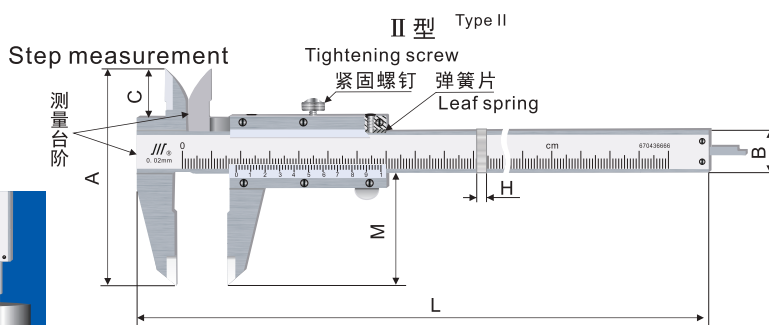
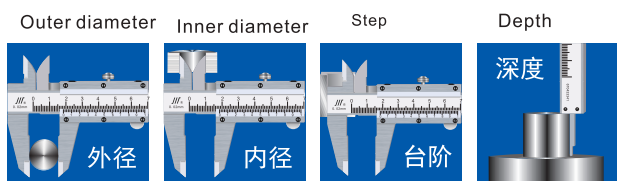
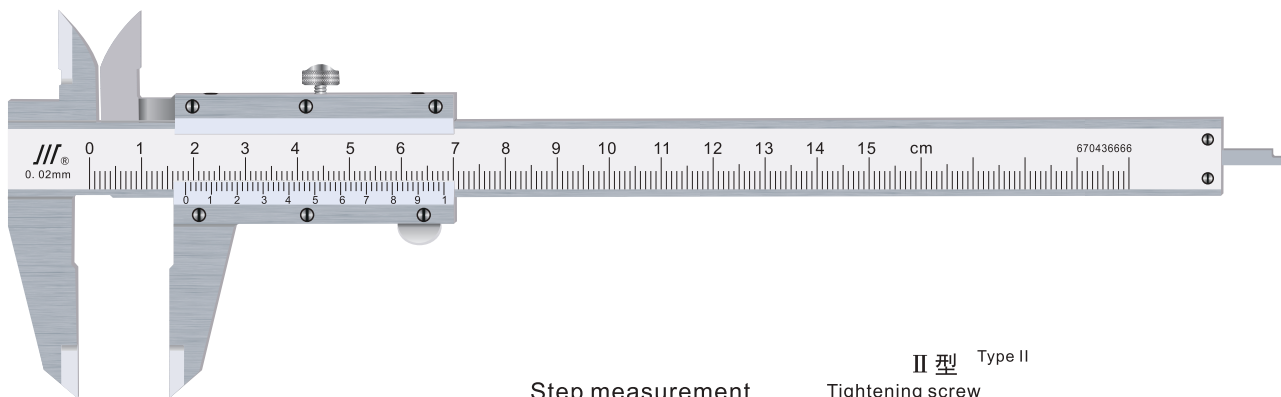


## 四用游标卡尺\*II型 0~200mm

Vernier Calipers \*type II 0-200mm

执行标准: GB/T 21389-2008

Executive standard: GB/T 21389-2008



### 特点 Characteristics

- 适用于测量外尺寸、内尺寸、台阶及深度。
- Suitable for measuring external dimensions, internal dimensions, steps, and depth.
- 碳钢或不锈钢制造。
- Made of carbon steel or stainless steel.

- 刻度尺面镀铬。
- Chromeplated caliper surface.
- 测量面淬硬和研磨。
- Hardened and ground measuring surface.

### 主要技术参数 Main technical parameters

产品代码 Product code		测量范围mm Measuring range mm	分度值mm Division value mm	精度mm Precision mm	库存 Inventory
碳钢 Carbon steel	不锈钢 Stainless steel				
1012001012		0-100	0.02	±0.03	常备 Running stock
1012012512	1012012542	0-125	0.02	±0.03	常备 Running stock
1012001512	1012001542	0-150	0.02	±0.03	常备 Running stock
	1012002042	0-200	0.02	±0.03	常备 Running stock

### 主要尺寸 Main dimension

测量范围mm Measuring range mm	基本尺寸 (mm) Basic dimensions (mm)						紧固螺钉 Fastening screw 
	L	A	B	C	H	M	
0-100	161	61	13	13	3	31	M2x5.5
0-125	209	76	15	16.5	3	40	M2x5.5
0-150	234	76	15	16.5	3	40	M2x5.5
0-200	290	90	17	19	3.5	50	M2x6

- 可提供分度值0.05mm三用游标卡尺。
- Three-purpose vernier calipers with division value of 0.05mm are available.



A08

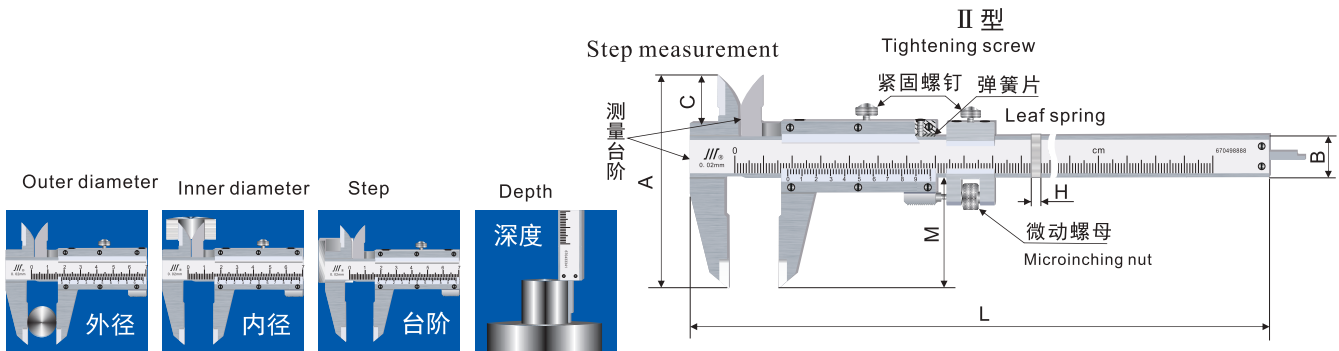
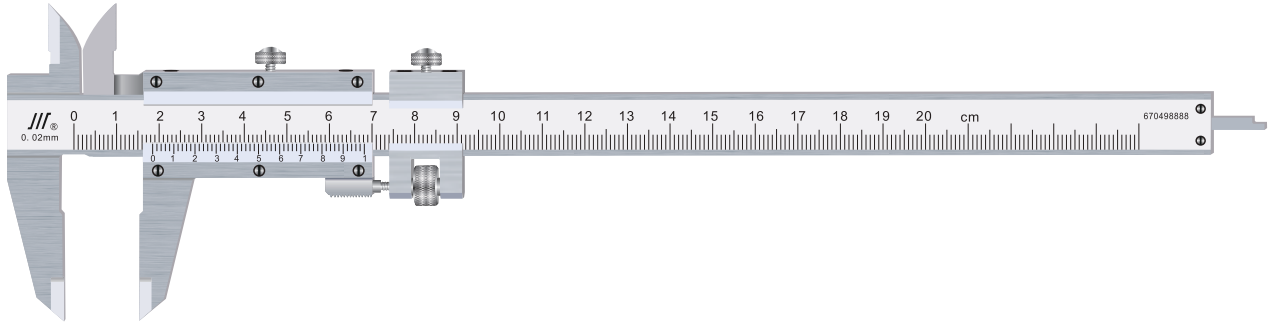


## 四用带微动游标卡尺\*II型 0~300mm

Vernier Calipers with Fine Adjustment \*type II 0-300mm

执行标准: GB/T 21389-2008

Executive standard: GB/T 21389-2008



### 特点 Characteristics

- 适用于测量外尺寸、内尺寸、台阶及深度。
- Suitable for measuring external dimensions, internal dimensions, steps, and depth.
- 碳钢或不锈钢制造。
- Made of carbon steel or stainless steel.
- 带微动装置。
- With a microinching unit
- 刻度尺面镀铬。
- Chromeplated caliper surface.
- 测量面淬硬和研磨。
- Hardened and ground measuring surface.

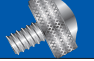
### 主要技术参数

#### Main technical parameters

产品代码 Product code		测量范围mm Measuring range mm	分度值mm Resolution mm/in	精度mm Precision mm	库存 Inventory
碳钢 Carbon steel	不锈钢 Stainless steel				
1012002012		0-200	0.02	±0.03	常备 Running stock
1012003032	1012003072	0-300	0.02	±0.04	常备 Running stock

### 主要尺寸

#### Main dimension

测量范围mm Measuring range mm	基本尺寸 (mm) Basic dimensions (mm)						紧固螺钉 Fastening screw 
	L	A	B	C	H	M	
0-200	301	83.5	16	18	3	45	M2x5.5
0-300	412	101	17	22	4	56	M2.5x8

- 可提供分度值0.05mm四用游标卡尺。
- Three-purpose vernier calipers with division value of 0.05mm are available.

A09

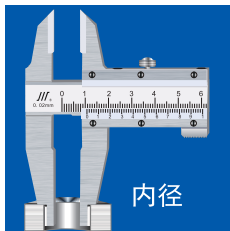
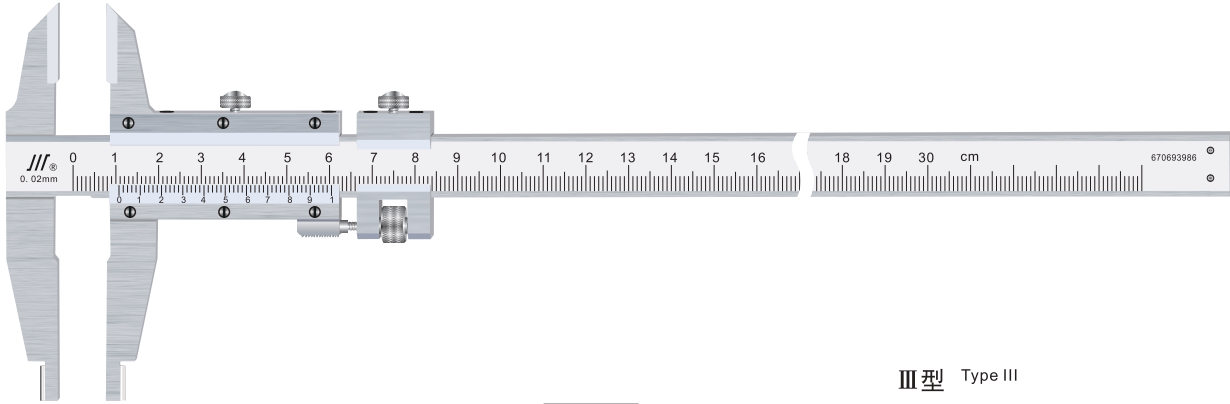


## 二用正爪带微动游标卡尺\*Ⅲ型 0~300mm

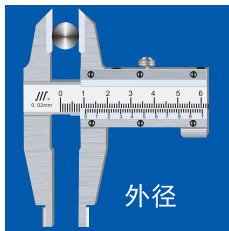
Vernier Calipers with Fine Adjustment \*type III 0-300mm

执行标准: GB/T 21389-2008

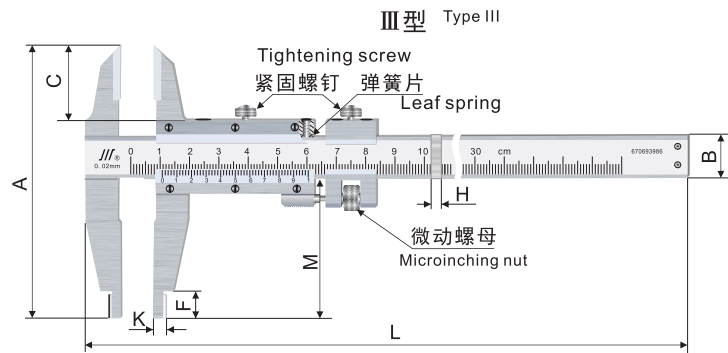
Executive standard: GB/T 21389-2008



Inner diameter



Outer diameter



### 特点 Characteristics

- 适用于精确测量内尺寸及外尺寸。  
• Suitable for accurate measurement of internal and external dimensions.
- 圆弧内量爪带有标准型外量爪。  
• With circular inner measuring jaw and standard outer measuring jaw.
- 碳钢或不锈钢制造。  
• Made of carbon steel or stainless steel.
- 带微动装置。  
• With a microinching unit
- 刻度尺面镀铬。  
• Chromeplated caliper surface.
- 测量面淬硬和研磨。  
• Hardened and ground measuring surface.

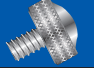
### 主要技术参数

#### Main technical parameters

产品代码 Product code		测量范围mm Measuring range mm	分度值mm Division value mm	精度mm Precision mm	库存 Inventory
碳钢 Carbon steel	不锈钢 Stainless steel				
1012003002	1012003042	0-300	0.02	±0.04	常备 Running stock

### 主要尺寸

#### Main dimension

测量范围mm Measuring range mm	基本尺寸 (mm) Basic dimensions (mm)								紧固螺钉 Fastening screw
	L	A	B	C	H	M	F	K	
0-300	410	115	17	32	4	60	11	5	M2.5x8

- 可提供分度值0.05mm二用游标卡尺。  
• Two-purpose vernier calipers with division value of 0.05mm are available.



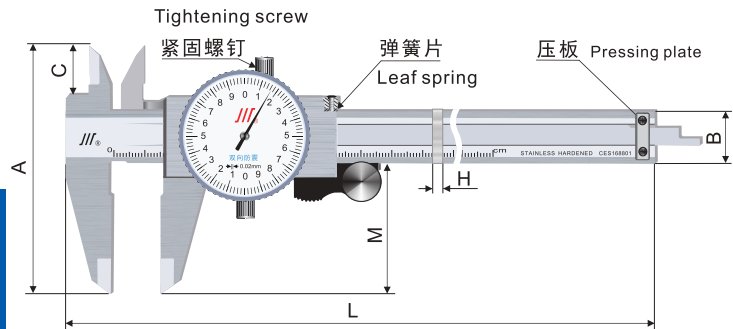
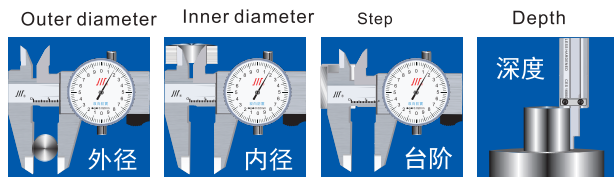
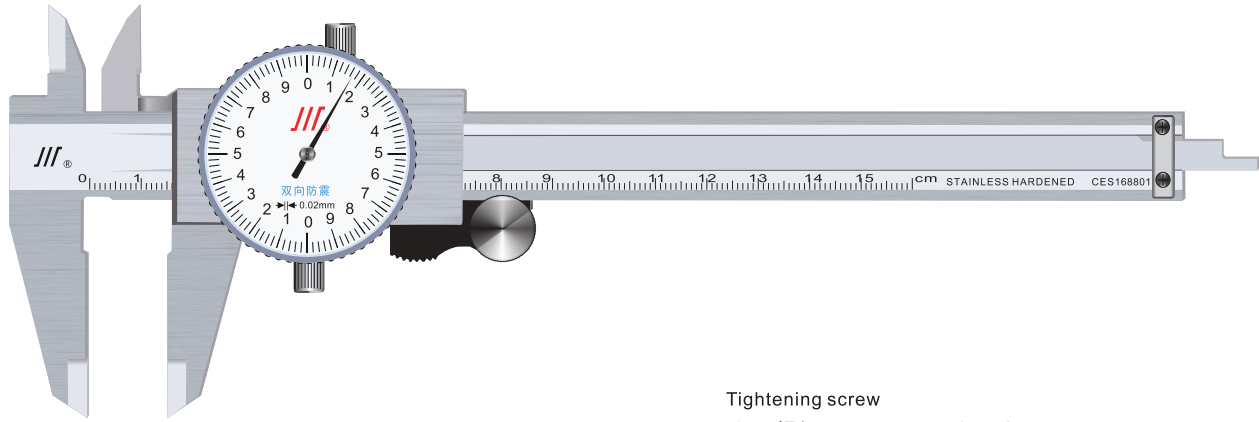


## 带表卡尺\* 0~300mm

Dial Calipers\*0-300mm

执行标准: GB/T 21389-2008

Executive standard: GB/T 21389-2008



### 特点 Characteristics

- 适用于测量外尺寸、内尺寸、台阶、深度。
- Suitable for measuring external dimensions, internal dimensions, steps, and depth.
- 指示表读数。
- Dial gauge reading.
- 双向防震。
- Bidirectional shockproof.
- 可调表盘。
- Adjustable dial plate.

- 不锈钢制造。
- Made of stainless steel.
- 刻度尺面镀铬。
- Chromeplated caliper surface.
- 测量面淬硬和研磨。
- Hardened and ground measuring surface.


### 主要技术参数

#### Main technical parameters

产品代码 Product code	测量范围mm Measuring range mm	分度值mm Resolution mm/in	精度mm Precision mm	库存 Inventory
1012401502	0-150	0.02	±0.03	常备 Running stock
1012402002	0-200	0.02	±0.03	常备 Running stock
1012403002	0-300	0.02	±0.04	常备 Running stock

### 主要尺寸

#### Main dimension

测量范围mm Measuring range mm	基本尺寸 (mm) Basic dimensions (mm)						紧固螺钉 Fastening screw 
	L	A	B	C	H	M	
0-150	234	76.5	16	16	3.2	40	M2x5
0-200	290	90.5	17	19	3.5	50	M2.5x5
0-300	404	110.5	19	21.5	4.0	64	M2.5x7

A11

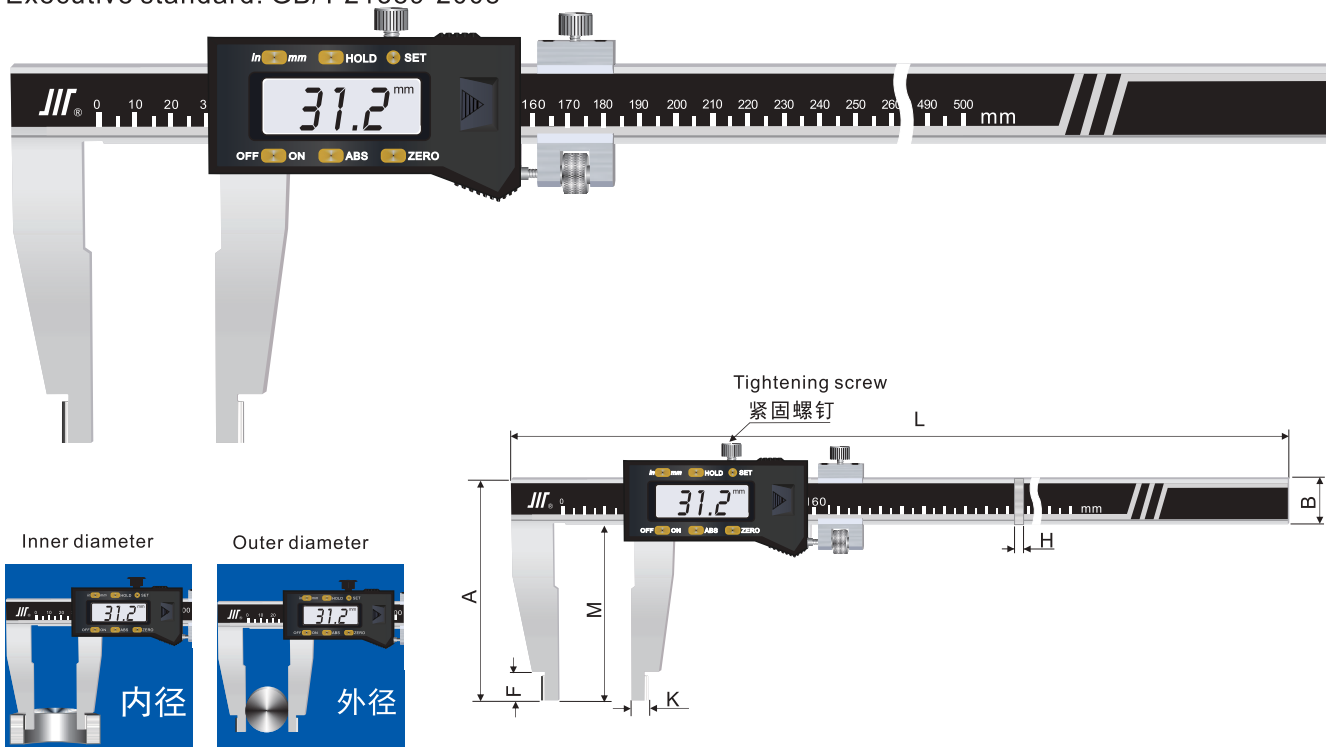


## 圆弧爪数显卡尺\*IV型 0~1000mm

Digital Calipers\*type IV 0-1000mm

执行标准: GB/T 21389-2008

Executive standard: GB/T 21389-2008



### 特点 Characteristics

- 适用于精确测量内尺寸及外尺寸。  
• Suitable for accurate measurement of internal and external dimensions.
- 置零, 开/关, 公/英制转换。  
• Zero setting, on/off, metric/imperial conversion.
- 不锈钢制造。  
• Made of stainless steel.
- 纽扣电池: CR2032-3V。  
• Button cell: CR2032-3V.
- 测量面淬硬和研磨。  
• Hardened and ground measuring surface.



### 主要技术参数

#### Main technical parameters

产品代码 Product code	测量范围mm Measuring range mm	分辨力mm/in Division value mm	精度mm Precision mm	库存 Inventory
1013050001	0-500	0.01/0.0005	±0.05	常备 Running stock
1013060001	0-600	0.01/0.0005	±0.05	常备 Running stock
1013100001	0-1000	0.01/0.0005	±0.07	常备 Running stock

### 主要尺寸

#### Main dimension

测量范围mm Measuring range mm	基本尺寸 (mm) Basic dimensions (mm)							紧固螺钉 Fastening screw	电池 Cell
	L	A	B	H	M	F	K		
0-500	650	122	22	7	100	19	10	M2.5x10	CR2032/5013099001
0-600	773	124	24	6	100	18	10	M2.5x10	CR2032/5013099001
0-1000	1210	180	30	8	150	18	10	M3x15	CR2032/5013099001

A12



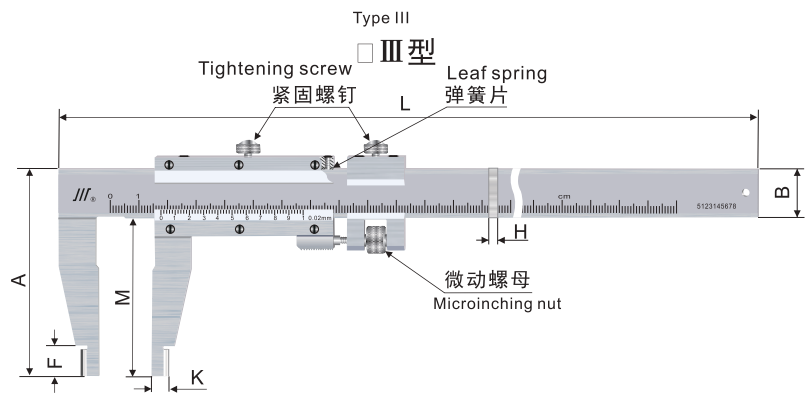
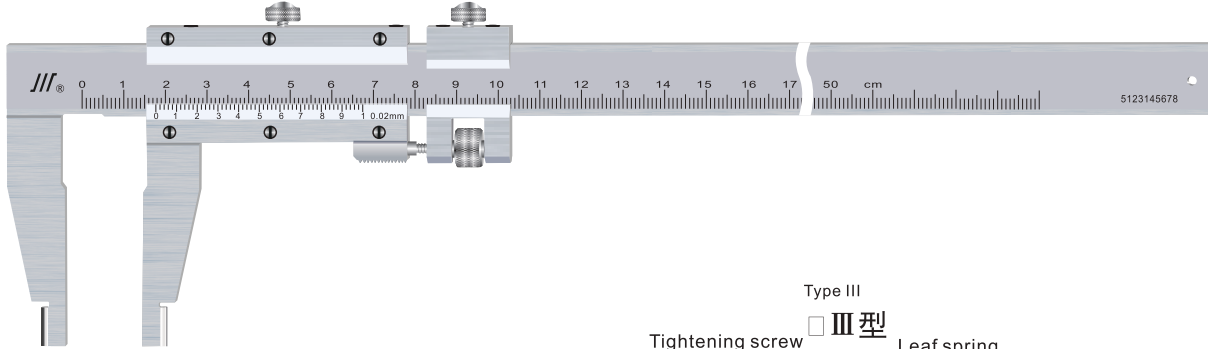


## 圆弧爪游标卡尺\*IV型 0~1500mm

Vernier Calipers\*type IV 0-1500mm

执行标准: GB/T 21389-2008

Executive standard: GB/T 21389-2008



### 特点 Characteristics

- 适用于精确测量内尺寸及外尺寸。
- Suitable for accurate measurement of internal and external dimensions.
- 圆弧内量爪带有标准型外量爪。
- With circular inner measuring jaw and standard outer measuring jaw.
- 碳钢或不锈钢制造。
- Made of carbon steel or stainless steel.
- 带微动装置。
- With a microinching unit.
- 刻度尺面镀铬。
- Chromeplated caliper surface.
- 测量面淬硬和研磨。
- Hardened and ground measuring surface.


### 主要技术参数

Main technical parameters

产品代码 Product code		测量范围mm Measuring range mm	分度值mm Resolution mm/in	精度mm Precision mm	库存 Inventory
碳钢 Carbon steel	不锈钢 Stainless steel				
1012005002	1012005042	0-500	0.02	±0.05	常备 Running stock
1012006002	1012006042	0-600	0.02	±0.05	常备 Running stock
1012010002	1012010042	0-1000	0.02	±0.07	常备 Running stock
1012015202		0-1500	0.02	±0.11	常备 Running stock

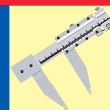
### 主要尺寸

Main dimension

测量范围mm Measuring range mm	基本尺寸 (mm) Basic dimensions (mm)							紧固螺钉 Fastening screw 
	L	A	B	H	M	F	K	
0-500	645	102	22	6	80	13	5	M3x8
0-600	745	102	22	6	80	13	5	M3x8
0-1000	1240	170	32	9	138	19	10	M5x16
0-1500	1770	236	36	9	200	20	10	M5x16

- 可提供分度值0.05mm IV型游标卡尺。
- Type IV vernier caliper with division value 0.05mm

A13

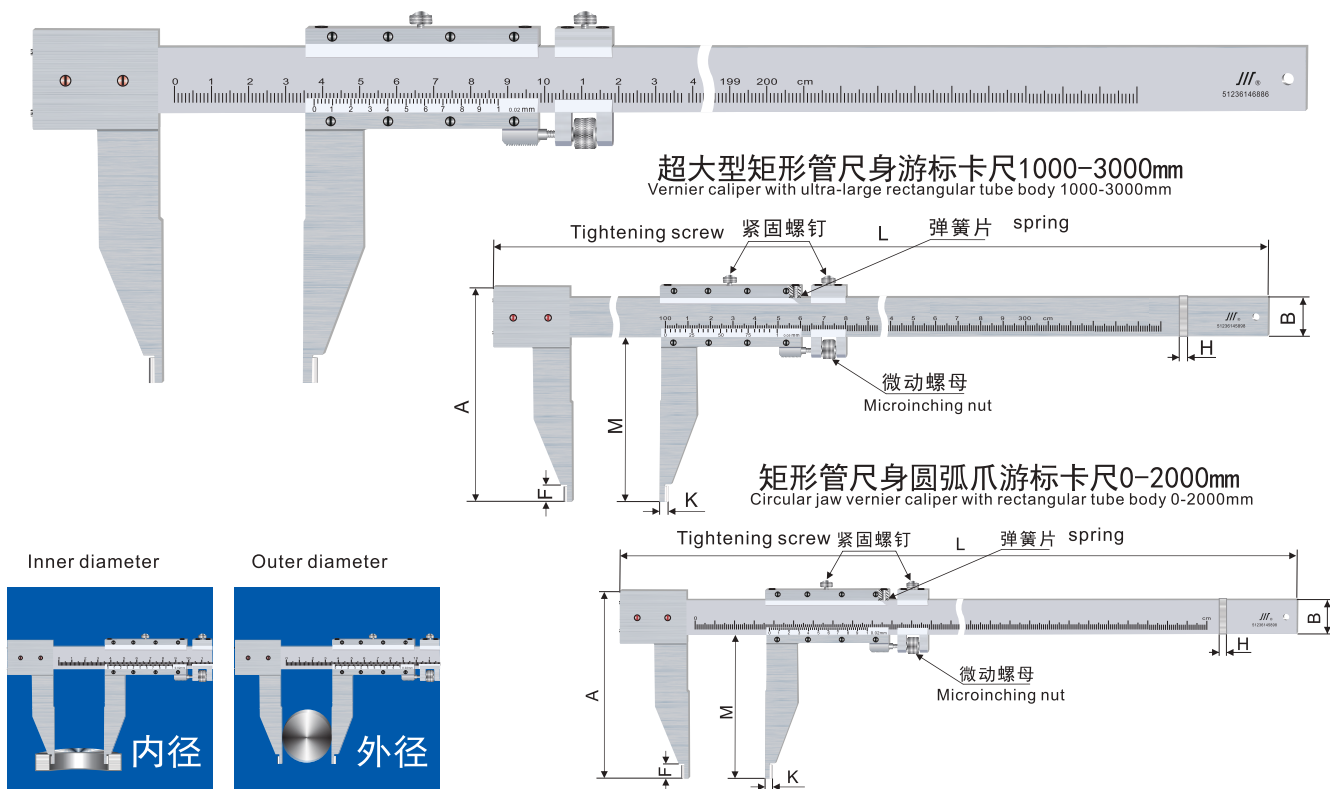


## 矩形管尺身圆弧爪游标卡尺 0~3000mm

Circular Jaw Vernier Calipers with Rectangular Tube Body 0-3000mm

执行标准: GB/T 21389-2008

Executive standard: GB/T 21389-2008



### 特点 Characteristics


- 适用于精确测量内尺寸及外尺寸。
- Suitable for accurate measurement of internal and external dimensions.
- 圆弧内量爪带有标准型外量爪。
- With circular inner measuring jaw and standard outer measuring jaw.
- 尺身、量爪分体设计; 矩形钢管尺身自重轻。
- Separate design of caliper body and measuring jaw;  
Rectangular steel tube body with light weight.

- 带微动装置。
- With a microinching unit
- 刻度尺面镀铬。
- Chromeplated caliper surface.
- 测量面淬硬和研磨。
- Hardened and ground measuring surface.

### 主要技术参数 Main technical parameters

产品代码 Product code	测量范围mm Measuring range mm	分度值mm Division value mm	精度mm Precision mm	库存 Inventory
1012020202	0-2000	0.02	±0.14	常备 Running stock
1012030005	1000-3000	0.05	±0.31	半备 Half stock

### 主要尺寸 Main dimension

测量范围mm Measuring range mm	基本尺寸 (mm) Basic dimensions (mm)							紧固螺钉 Fastening screw 
	L	A	B	H	M	F	K	
0-2000	2340	255.5	42	12	200	20	10	M6x19
1000-3000	3372	325.5	52	16	260	20	10	M6x19

- 0-2000可提供分度值为0.05mmIV型游标卡尺
- 0-2000 type-IV vernier calipers with an division value of 0.05mm are available

A14

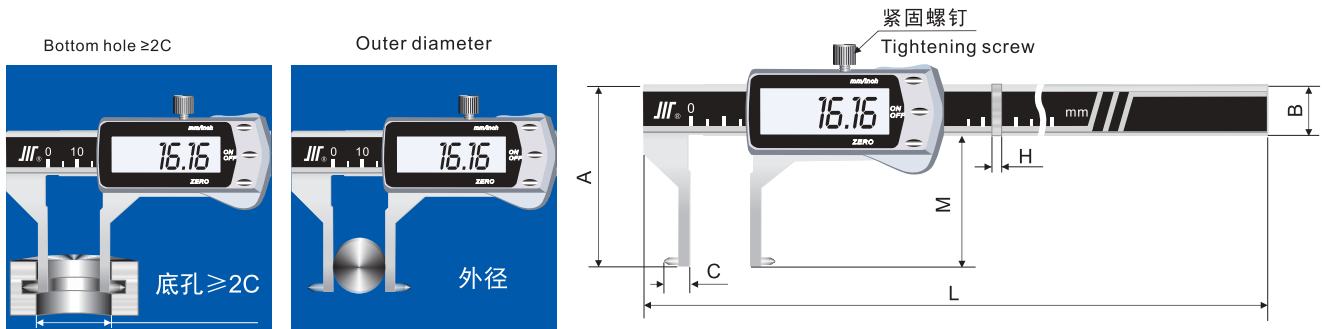
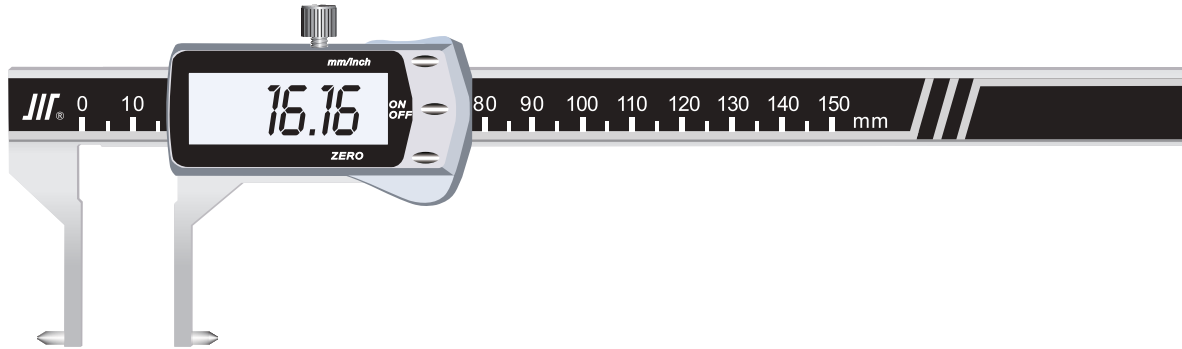


## 内环槽数显卡尺\*2C~300mm

Inner Ring Groove Digital Calipers\*2C-300mm

执行标准: GB/T 21389-2008

Executive standard: GB/T 21389-2008



### 特点 Characteristics

- 适用于测量内环槽径。
- Suitable for measuring the groove diameter of the inner ring.
- 内环槽量爪带有标准型外量爪。
- With inner ring groove measuring jaw and standard outer measuring jaw.
- 除常供尺寸外, C尺寸可按用户要求定制。
- In addition to the standard size, the C size can be customized according to user requirements.
- 金属壳体、超大屏液晶显示。
- Metal casing, ultra-large LCD display.
- 置零, 开/关, 公/英制转换。
- Zero setting, on/off, metric/imperial conversion.
- 不锈钢制造。
- Made of stainless steel.
- 纽扣锂电池: CR2032-3V。
- Button lithium cell: CR2032-3V.

### 主要技术参数

Main technical parameters

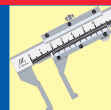
产品代码 Product code	测量范围mm Measuring range mm	分辨力mm/in Resolution mm/in	精度mm Precision mm	库存 Inventory
101305000048	16-150	0.01/.0005	±0.03	非标订货 Non-standard order
101300200040	23-200	0.01/.0005	±0.03	非标订货 Non-standard order

### 主要尺寸

Main dimension

测量范围mm Measuring range mm	基本尺寸 (mm) Basic dimensions (mm)						紧固螺钉 Fastening screw	电池 Cell
	L	A	B	C	H	M		
16-150	234	60.5	16	8-12	3.5	<40	M2.5x8	5013099001
23-200	289	70.9	16	8-15	3.5	<50	M2.5x8	5013099001

A15

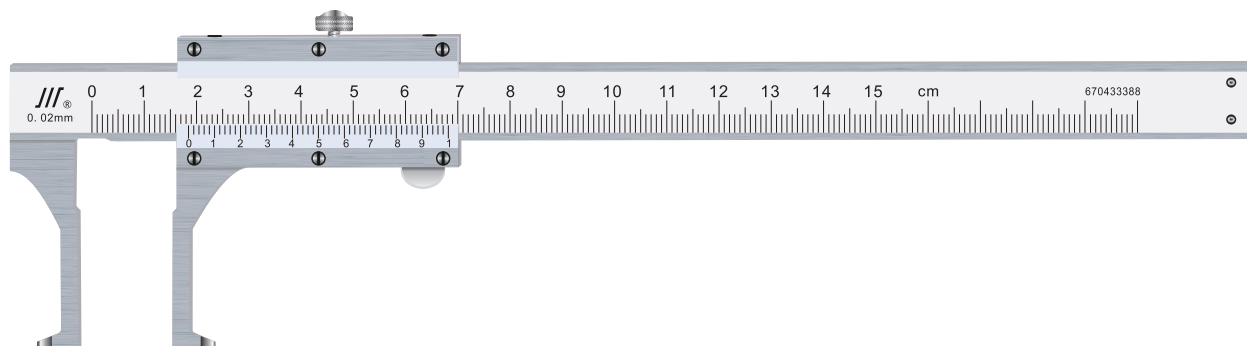


## 内环槽游标卡尺\*2C ~300mm

Inner Ring Groove Vernier Calipers \*2C-300mm

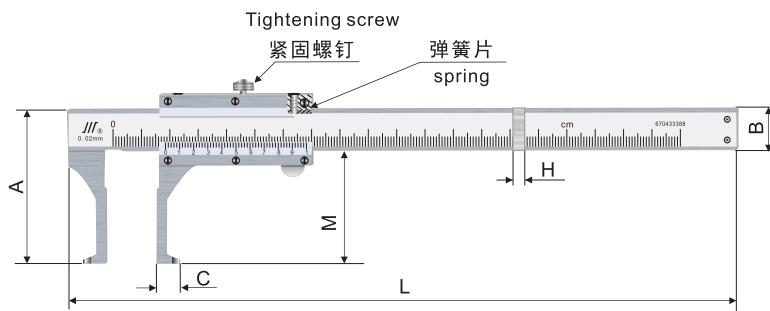
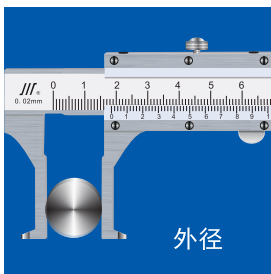
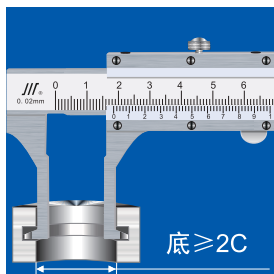
执行标准: GB/T 21389-2008

Executive standard: GB/T 21389-2008



Bottom hole  $\geq 2C$

Outer diameter



### 特点 Characteristics

- 适用于测量平底内环槽径。
- Suitable for measuring the groove diameter of the inner ring.
- 内环槽量爪带有标准型外量爪。
- With inner ring groove measuring jaw and standard outer measuring jaw.
- C尺寸按用户要求定制。
- C size is customized according to user requirements.
- 测量头为一体或分体式。
- The measuring head is integrated or separate.
- 碳钢或不锈钢制造。
- Made of carbon steel or stainless steel.
- 刻度尺面镀铬。
- Chromeplated caliper surface.
- 测量面淬硬和研磨。
- Hardened and ground measuring surface.

### 主要技术参数

#### Main technical parameters

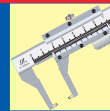
产品代码 Product code	测量范围mm Measuring range mm	分度值mm Division value mm	精度mm Precision mm	库存 Inventory
非标 Non-standard	2C-150	0.02	$\pm 0.03$	非标订货 Non-standard order
非标 Non-standard	2C-200	0.02	$\pm 0.03$	非标订货 Non-standard order
非标 Non-standard	2C-300	0.02	$\pm 0.04$	非标订货 Non-standard order

### 主要尺寸

#### Main dimension

测量范围mm Measuring range mm	基本尺寸 (mm) Basic dimensions (mm)						紧固螺钉 Fastening screw
	L	A	B	C	H	M	
2C-150	234	定制 Customized	15	7~7.5	3	$\leq 30$	M2x5.5
2C-200	312	定制 Customized	17	8~10	4	$\leq 45$	M2.5x8
2C-300	412	定制 Customized	17	10~15	4	$\leq 45$	M2.5x8

A16

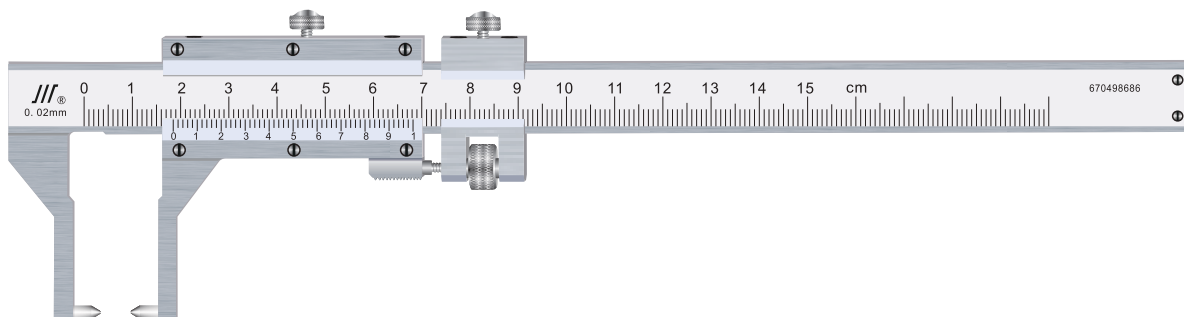


## 外环槽游标卡尺\* 0~300mm

Outer Ring Groove Vernier Calipers \*0-300mm

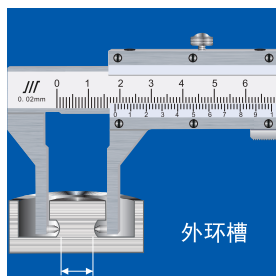
执行标准: GB/T 21389-2008

Executive standard: GB/T 21389-2008

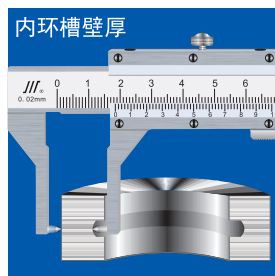


Outer ring groove

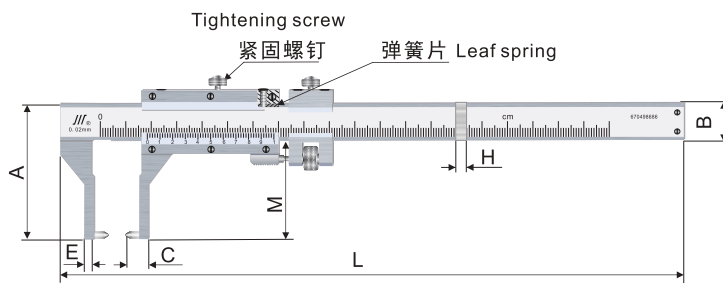
Wall thickness of inner ring groove



外环槽



内环槽壁厚



### 特点 Characteristics

- 适用于测量外环槽和内环槽进处的壁厚。
- Suitable for measuring the wall thickness of the outer ring groove and the inner ring groove.
- C尺寸在一定范围内定制。
- C Size can be customized within a certain range.
- 碳钢或不锈钢制造。
- Made of carbon steel or stainless steel.
- 刻度尺面镀铬。
- Chromeplated caliper surface.


### 主要技术参数

Main technical parameters

产品代码 Product code	测量范围mm Measuring range mm	分度值mm Resolution mm/In	精度mm Precision mm	库存 Inventory
非标 Non-standard	0-150	0.02	±0.03	非标订货 Non-standard order
非标 Non-standard	0-200	0.02	±0.03	非标订货 Non-standard order
非标 Non-standard	0-300	0.02	±0.04	非标订货 Non-standard order

### 主要尺寸

Main dimension

测量范围mm Measuring range mm	基本尺寸 (mm) Basic dimensions (mm)							紧固螺钉 Fastening screw 
	L	A	B	C	E	H	M	
0-150	≤301	定制 Customized	16	定制 Customized	定制 Customized	3	≤45	M2x5.5
0-200	≤412	定制 Customized	17	定制 Customized	定制 Customized	4	≤56	M2.5x8
0-300	≤595	定制 Customized	22	定制 Customized	定制 Customized	6	≤80	M3x8

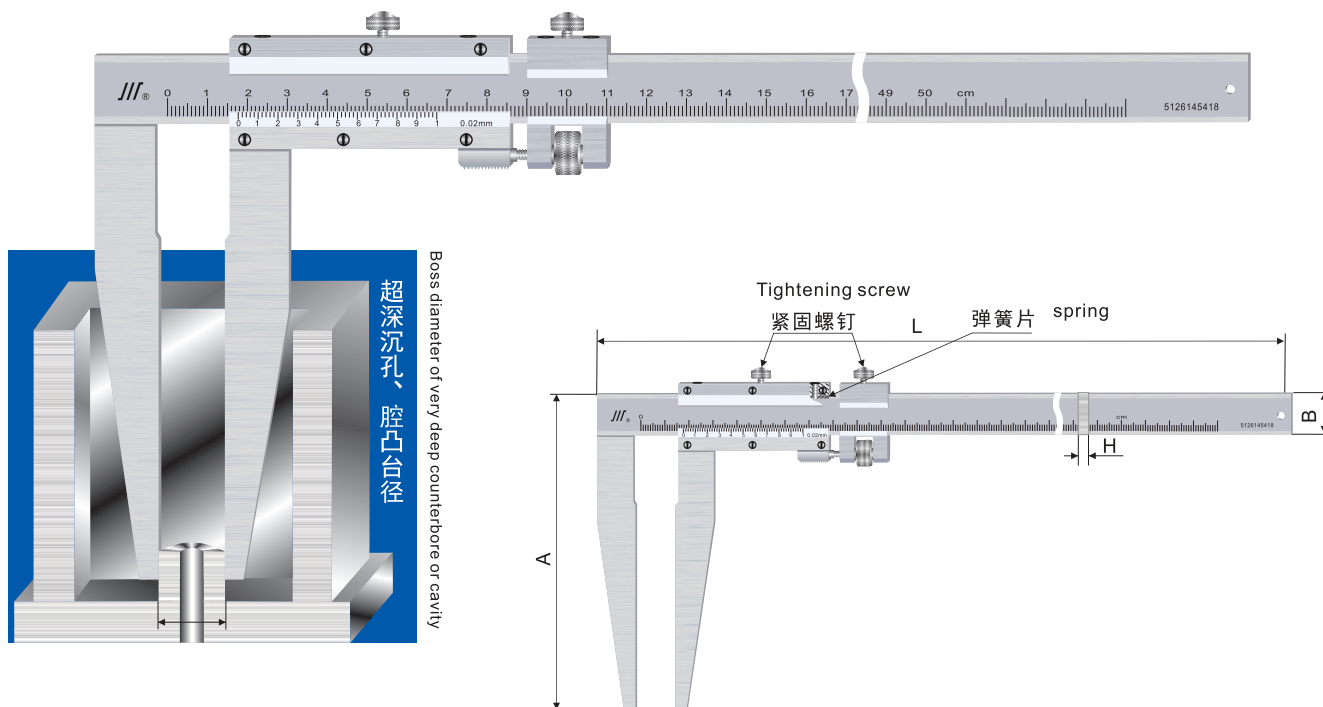


## 长爪游标卡尺\* 0~1000mm

Long Jaw Vernier Calipers \* 0-1000m

执行标准: GB/T 21389-2008

Executive standard: GB/T 21389-2008



### 特点 Characteristics

- 适用于测量超深孔、腔内凸台直径类尺寸。  
• Suitable for measuring boss diameter of counterbore or cavity, etc.
- 碳钢或不锈钢制造。  
• Made of carbon steel or stainless steel.
- A尺寸按用户要求定制。  
• A size is customized according to user requirements.
- 带微动装置。  
• With a microinching unit
- 测量面淬硬和研磨。  
• Hardened and ground measuring surface.


### 主要技术参数

#### Main technical parameters

产品代码 Product code	测量范围mm Measuring range mm	分度值mm Division value mm	精度mm Precision mm	库存 Inventory
非标 Non-standard	0-300	0.02	±0.05	非标订货 Non-standard order
非标 Non-standard	0-500	0.02	±0.07	非标订货 Non-standard order
非标 Non-standard	0-1000	0.02	±0.10	非标订货 Non-standard order

### 主要尺寸

#### Main dimension

测量范围mm Measuring range mm	基本尺寸 (mm) Basic dimensions (mm)				紧固螺钉 Fastening screw 
	L	A	B	H	
0-300	≥412	100-200	17	4	M2.5x8
0-500	≥645	100-300	22	6	M3x8
0-1000	≥1240	150-400	32	9	M5x16



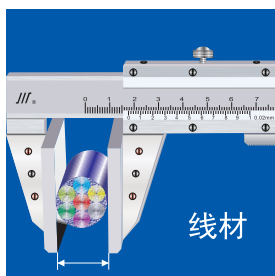
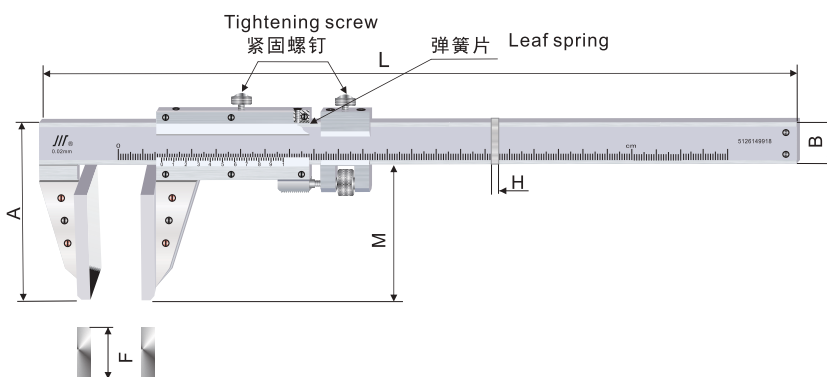
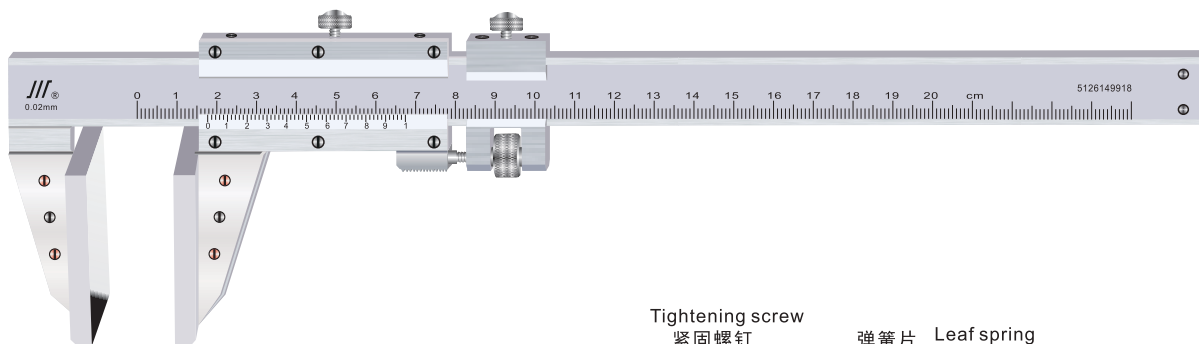


## 鸭嘴游标卡尺\* 0~300mm

Duckbill Vernier Calipers \* 0-300mm

执行标准: GB/T 21389-2008

Executive standard: GB/T 21389-2008



### 特点 Characteristics

- 适用于测量钢绳、钢缆类柔性线材的外径。  
• Suitable for measuring the outer diameter of wire rope, wire cable and other flexible wires.
- 碳钢或不锈钢制造。  
• Made of carbon steel or stainless steel.
- 带微动装置。  
• With a microinching unit
- 刻度尺面镀铬。  
• Chromeplated caliper surface.

### 主要技术参数

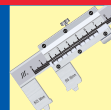
Main technical parameters

产品代码 Product code	测量范围mm Measuring range mm	分度值mm Resolution mm/in	精度mm Precision mm	库存 Inventory
101290000168	0-150	0.02	±0.04	非标订货 Non-standard order
101290000169	0-200	0.02	±0.05	非标订货 Non-standard order
101290000843	0-300	0.02	±0.06	非标订货 Non-standard order

### 主要尺寸

Main dimension

测量范围mm Measuring range mm	基本尺寸 (mm) Basic dimensions (mm)						紧固螺钉 Fastening screw 
	L	A	B	H	M	F	
0-150	≤301	≤65.5	16	3	≤45	40	M2x5.5
0-200	≤412	≤65.5	17	4	≤45	40	M2.5x8
0-300	≤412	≤85	17	4	≤70	60	M2.5x8

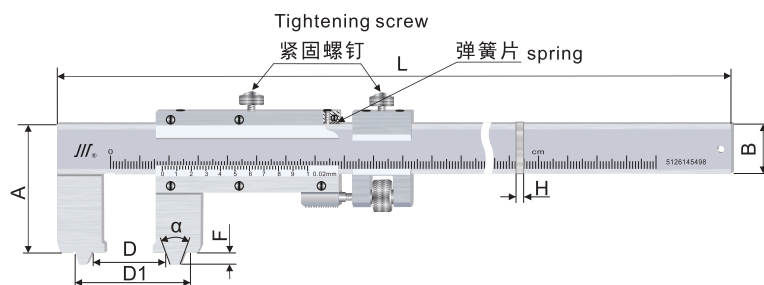
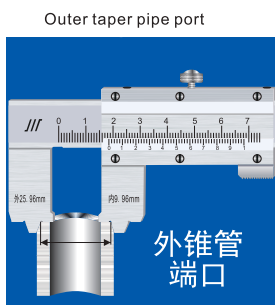
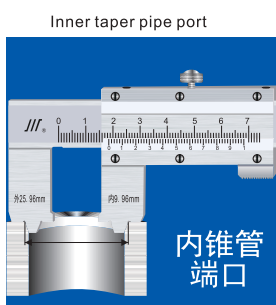
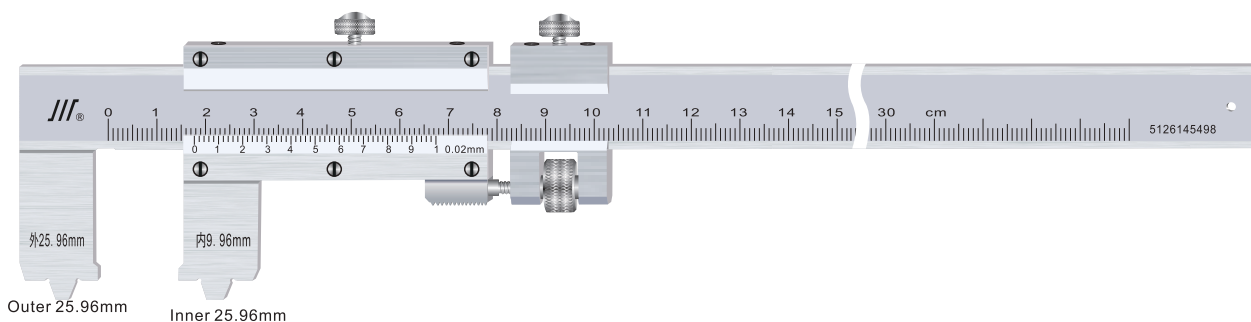


## 垫环槽游标卡尺\*0~600mm

Backing Ring Groove Vernier Calipers\*0-600mm

执行标准: GB/T 21389-2008

Executive standard: GB/T 21389-2008



### 特点 Characteristics

- 适用于测量内、外锥管端口直径。
- Suitable for measuring the diameter of inner and outer taper pipe ports.
- D、D1、F 尺寸和  $\alpha$  角度按用户要求定制。
- D, D1, F dimensions and  $\alpha$  angle are customized according to user requirements.
- 碳钢或不锈钢制造。
- Made of carbon steel or stainless steel.
- 带微动装置。
- With a microinching unit.
- 刻度尺面镀铬。
- Chromeplated caliper surface.

### 主要技术参数

#### Main technical parameters

产品代码 Product code	测量范围mm Measuring range mm	测量直径(小头) Measuring diameter (small head)	测量直径(大头) Measuring diameter (big head)	分度值mm Division value mm	精度mm Precision mm	库存 Inventory
101290000142	D-300	D-300	D1-300	0.02	$\pm 0.04$	非标订货 Non-standard order
101290000145	D-500	D-500	D1-500	0.02	$\pm 0.05$	非标订货 Non-standard order
101290000810	D-600	D-600	D1-600	0.02	$\pm 0.05$	非标订货 Non-standard order

### 主要尺寸

#### Main dimension

测量范围mm Measuring range mm	基本尺寸 (mm) Basic dimensions (mm)									紧固螺钉 Fastening screw
	L	A	B	H	D	D1	$\alpha$	F		
D-300	445	定制 Customized	22	6	定制 Customized	定制 Customized	定制 Customized	定制 Customized	定制 Customized	M3x8
D-500	645	定制 Customized	22	6	定制 Customized	定制 Customized	定制 Customized	定制 Customized	定制 Customized	M3x8
D-600	745	定制 Customized	22	6	定制 Customized	定制 Customized	定制 Customized	定制 Customized	定制 Customized	M3x8

A20



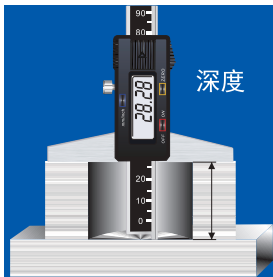
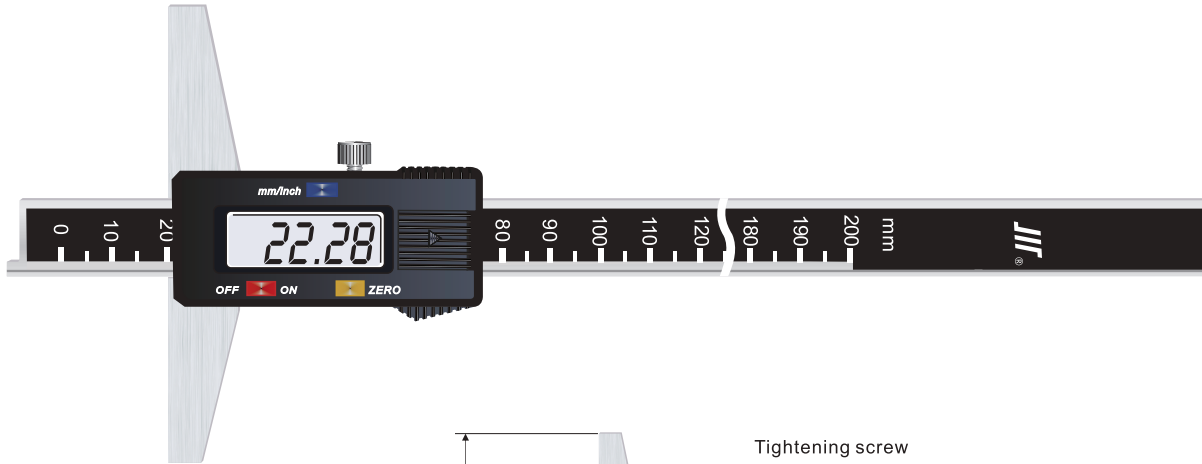


## 数显深度卡尺\*0~500mm

Digital Depth Calipers \*0-500mm

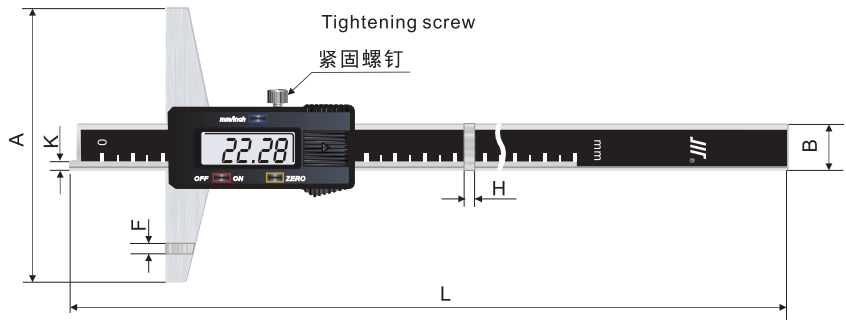
执行标准: GB/T 21388-2008

Executive standard: GB/T 21389-2008



深度

Depth



Tightening screw

紧固螺钉

## 特点 Characteristics

- 适用于测量孔深、阶差、凹槽等深度尺寸。
- Suitable for measuring hole depth, step difference, groove depth and other depth dimensions.
- 大屏液晶显示。
- Large LCD display.
- 置零, 开/关, 公/英制转换。
- Zero setting, on/off, metric/imperial conversion.

- 不锈钢制造。
- Made of stainless steel.
- 可选附件: Micro USB接口输出线或我厂无线传输产品。
- Optional accessories: SPC interface output cable.
- 钮扣锂电池: LR44-1.55V。
- Button lithium cell: LR44-1.55V.

## 主要技术参数

Main technical parameters

产品代码 Product code	测量范围mm Measuring range mm	分辨力mm/in Resolution mm/in	精度mm Precision mm	库存 Inventory
1013020031	0-200	0.01/.0005	±0.03	常备 Running stock
1013030031	0-300	0.01/.0005	±0.04	常备 Running stock
1013050031	0-500	0.01/.0005	±0.05	常备 Running stock

## 主要尺寸

Main dimension

测量范围mm Measuring range mm	基本尺寸 (mm) Basic dimensions (mm)						紧固螺钉 Fastening screw	电池 Cell
	L	A	B	H	K	F		
0-200	295	100	16	3.5	5	7	M2.5x8	LR44 1.55V 5013090100
0-300	395	100	16	3.5	5	7	M2.5x8	5013090100
0-500	600	120	16	5	6	9	M2.5x8	5013090100

A21

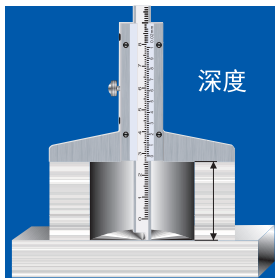
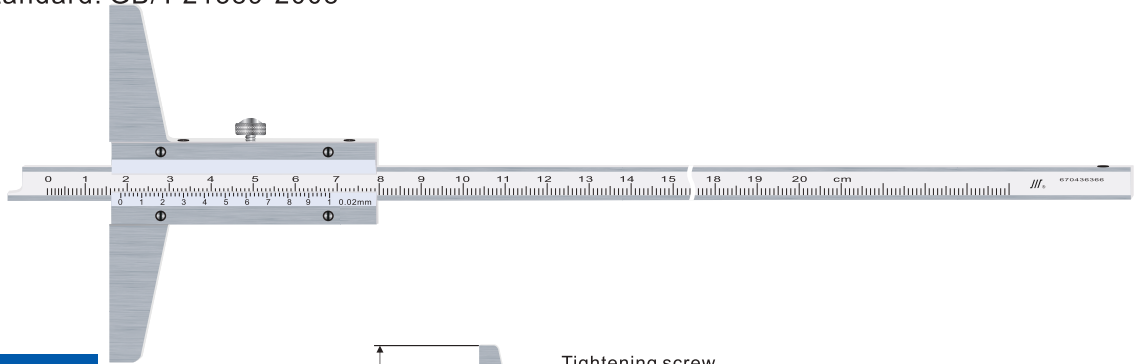


## 游标深度卡尺\*0~1000mm

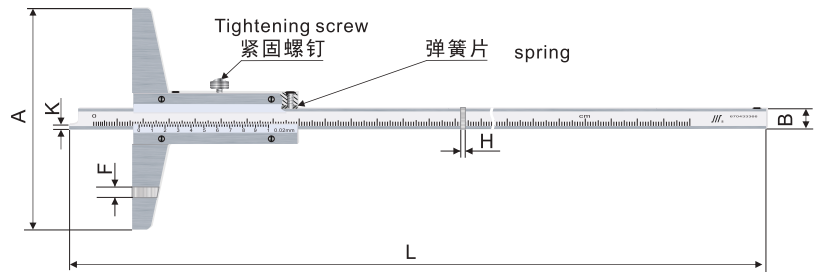
Vernier Depth Calipers \*0-1000mm

执行标准: GB/T 21388-2008

Executive standard: GB/T 21389-2008



Depth



### 特点 Characteristics

- 适用于测量孔深、阶差、凹槽等深度尺寸。  
• Suitable for measuring hole depth, step difference, groove depth and other depth dimensions.
- 可调式游标。  
• Adjustable vernier.
- 优质碳钢制造。  
• Made of high quality carbon steel.
- 刻度尺面镀铬。  
• Chromeplated caliper surface.
- 尺座基面和量面淬硬和研磨。  
• Hardened and ground stand base surface and measuring surface.


### 主要技术参数

#### Main technical parameters

产品代码 Product code	测量范围mm Measuring range mm	分度值mm Division value mm	精度mm Precision mm	库存 Inventory
1012101502	0-150	0.02	±0.03	常备 Running stock
1012102002	0-200	0.02	±0.03	常备 Running stock
1012103002	0-300	0.02	±0.04	常备 Running stock
1012105002	0-500	0.02	±0.05	常备 Running stock
1012110002	0-1000	0.02	±0.07	常备 Running stock

### 主要尺寸

#### Main dimension

测量范围mm Measuring range mm	基本尺寸 (mm) Basic dimensions (mm)						紧固螺钉 Fastening screw 
	L	A	B	H	K	F	
0-150	245	101	11	4	3	7	M2.5x8
0-200	295	101	11	4	3	7	M2.5x8
0-300	395	101	11	4	3	7	M2.5x8
0-500	595	120	13	5	4	9	M2.5x8
0-1000	1095	120	13	5	4	9	M2.5x8

A22

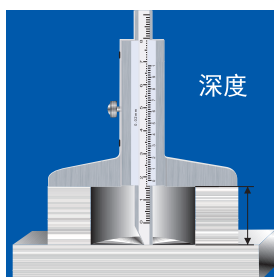
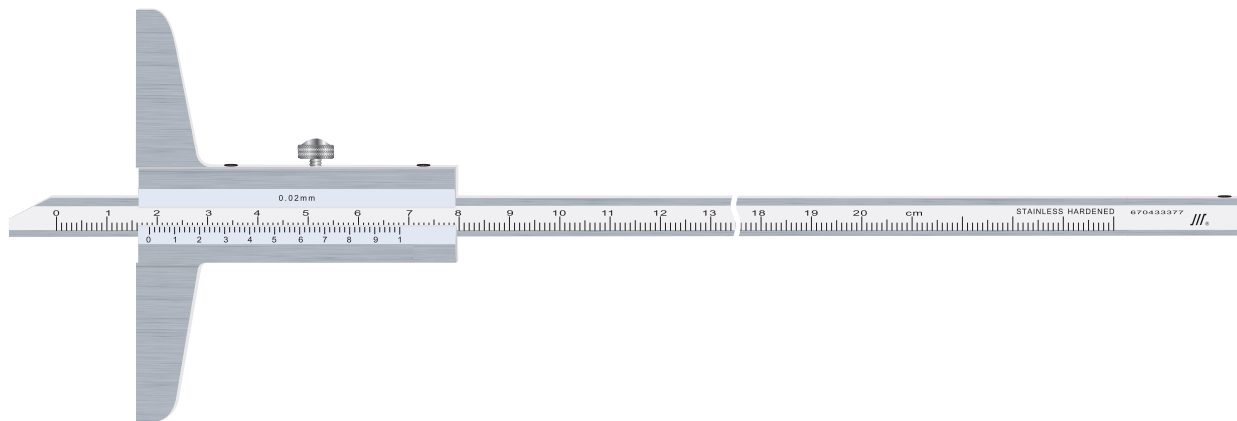


## 闭式游标深度卡尺\*0~300mm

Mono Block Vernier Depth Calipers \*0~300mm

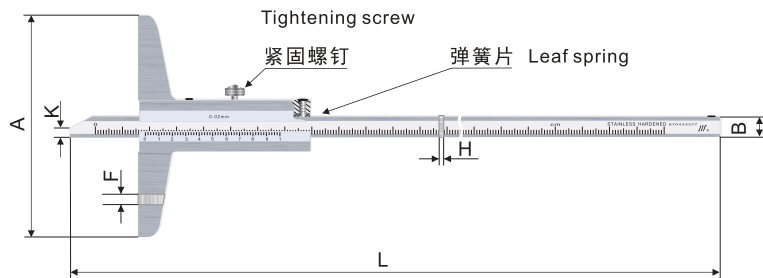
执行标准: GB/T 21388-2008

Executive standard: GB/T 21389-2008



深度

Depth



### 特点 Characteristics

- 适用于孔深、阶差、凹槽等深度尺寸。  
• Suitable for hole depth, step difference, groove depth and other depth dimensions.
- 整体式游标。  
• Integral vernier.
- 不锈钢制造。  
• Made of stainless steel.
- 刻度尺面镀铬。  
• Chromeplated caliper surface.
- 尺座基面和量面淬硬和研磨。  
• Hardened and ground stand base surface and measuring surface.


### 主要技术参数

Main technical parameters

产品代码 Product code	测量范围mm Measuring range mm	分度值mm Resolution mm/in	精度mm Precision mm	库存 Inventory
1012101512	0-150	0.02	±0.03	常备 Running stock
1012102012	0-200	0.02	±0.03	常备 Running stock
1012103012	0-300	0.02	±0.04	常备 Running stock

### 主要尺寸

Main dimension

测量范围mm Measuring range mm	基本尺寸 (mm) Basic dimensions (mm)						紧固螺钉 Fastening screw 
	L	A	B	H	M	F	
0-150	225	100	11	3.5	5	7.2	M2.5x8
0-200	275	100	11	3.5	5	7.2	M2.5x8
0-300	375	100	11	3.5	5	7.2	M2.5x8

A23

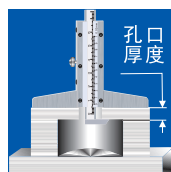
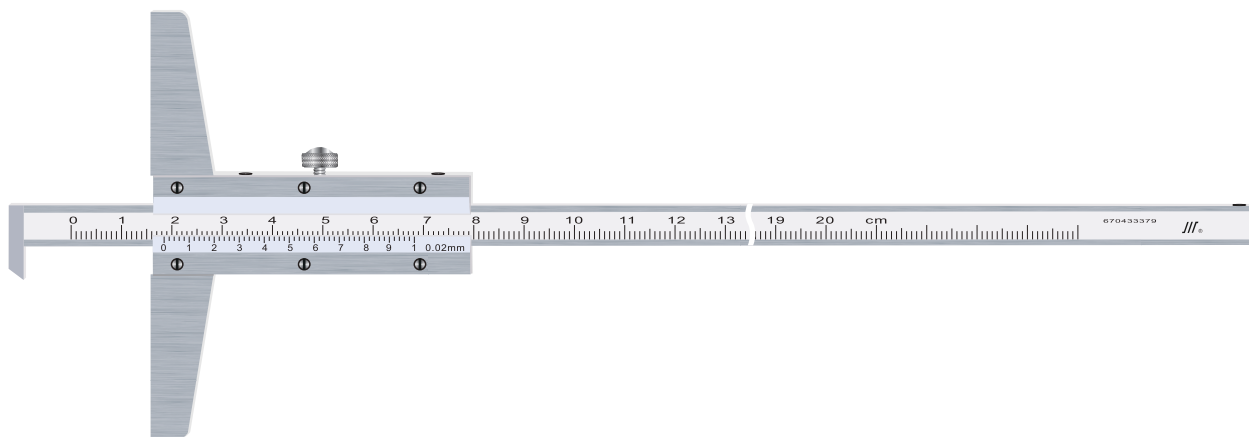


## 带钩游标深度卡尺\*0~300mm

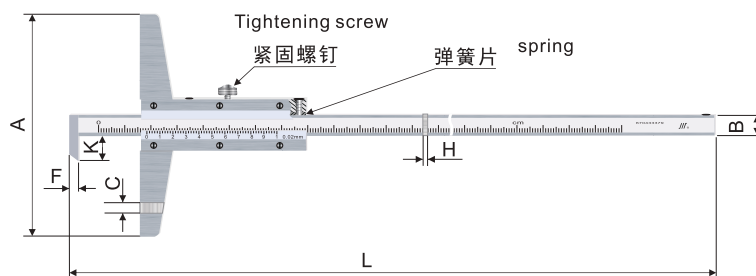
Hooked Vernier Depth Calipers \*0~300mm

执行标准: GB/T 21388-2008

Executive standard: GB/T 21389-2008



Orifice thickness



### 特点 Characteristics

- 主尺的顶端为钩型，适用于测量孔口厚度类尺寸。
- With a hooked end on the main scale, the calipers are suitable for measuring orifice thickness, etc.
- 碳钢或不锈钢制造。
- Made of carbon steel or stainless steel.

- 刻度尺面镀铬。
- Chromeplated caliper surface.
- 尺座基面和量面淬硬和研磨。
- Hardened and ground stand base surface and measuring surface.


### 主要技术参数

Main technical parameters

产品代码 Product code	测量范围mm Measuring range mm	分度值mm Division value mm	精度mm Precision mm	库存 Inventory
非标	0-200	0.02	±0.03	非标订货 Non-standard order
非标	0-300	0.02	±0.04	非标订货 Non-standard order

### 主要尺寸

Main dimension

测量范围mm Measuring range mm	基本尺寸 (mm) Basic dimensions (mm)							紧固螺钉 Fastening screw 
	L	A	B	C	H	K	F	
0-200	295	101	11	7	4	定制 Customized	定制 Customized	M2.5x8
0-300	395	101	11	7	4	定制 Customized	定制 Customized	M2.5x8



A24



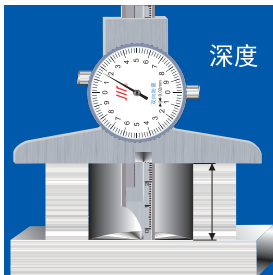
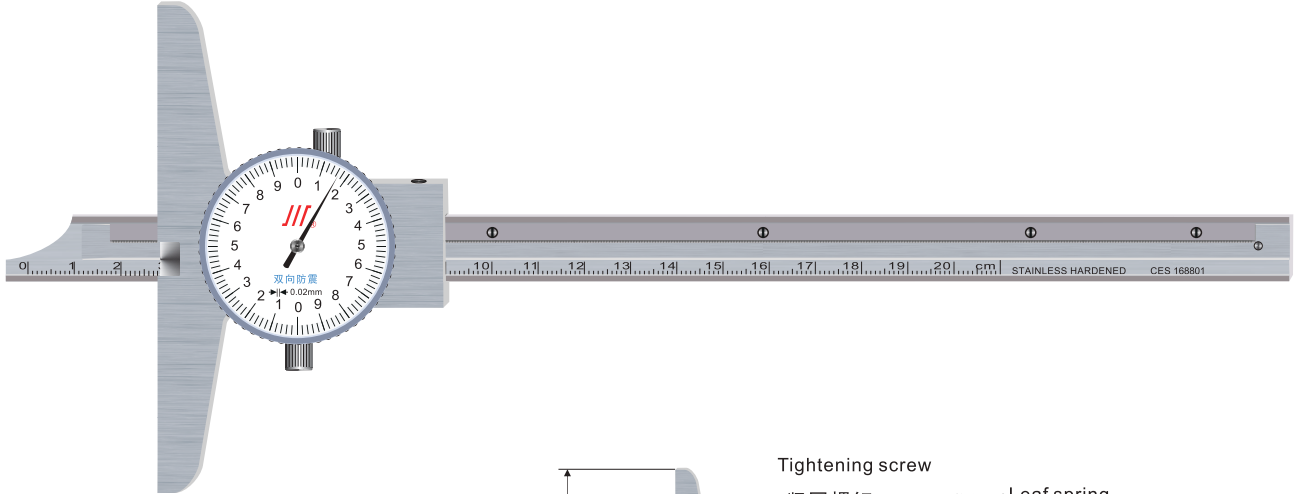


## 带表深度卡尺\*0~300mm

Dial Depth Calipers \*0-300mm

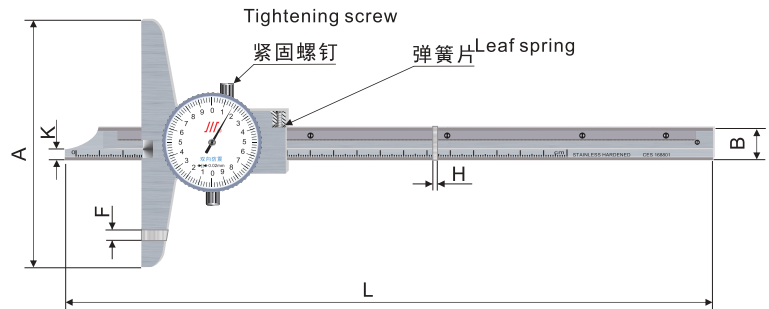
执行标准: GB/T 21388-2008

Executive standard: GB/T 21389-2008



深度

Depth




### 特点 Characteristics

- 适用于测量孔深、阶差、凹槽等深度尺寸。  
• Suitable for measuring hole depth, step difference, groove depth and other depth dimensions.
- 指示表读数, 快速准确, 减少误读。  
• Dial gauge reads fast and accurately to avoid misreading.
- 可调表盘, 能轻松置零。  
• Adjustable dial plate for easy zero setting.
- 刻度尺面镀铬。  
• Chromeplated caliper surface.
- 不锈钢制造。  
• Made of stainless steel.
- 测量面淬硬和研磨。  
• Hardened and ground measuring surface.

### 主要技术参数 Main technical parameters

产品代码 Product code	测量范围mm Measuring range mm	分度值mm Resolution mm/in	精度mm Precision mm	库存 Inventory
1012101522	0-150	0.02	±0.03	常备 Running stock
1012102022	0-200	0.02	±0.03	常备 Running stock
1012103022	0-300	0.02	±0.04	常备 Running stock

### 主要尺寸 Main dimension

测量范围mm Measuring range mm	基本尺寸 (mm) Basic dimensions (mm)						紧固螺钉 Fastening screw 
	L	A	B	H	K	F	
0-150	230	100	13	4	5	8	M2.5x8
0-200	280	100	13	4	5	8	M2.5x8
0-300	380	100	13	4	5	8	M2.5x8

A25

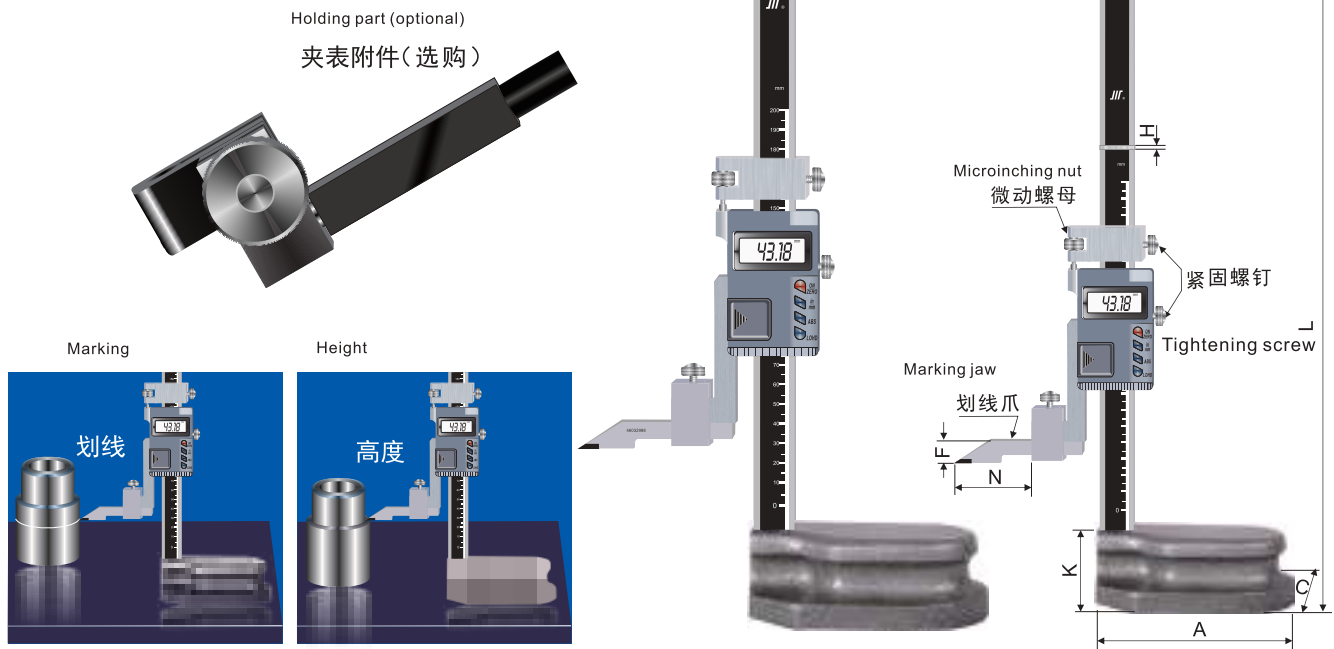


## 数显高度卡尺\*0~500mm

Digital Height Gauges \*0-500mm

执行标准: GB/T 21390-2008

Executive standard: GB/T 21389-2008



### 特点 Characteristics

- 适用于测量高度、阶差及标准划线。
- Suitable for measuring height, step difference and standard marking.
- 大屏液晶屏显示。
- Large LCD display.
- 置零, 开/关, 公/英制转换。
- Zero setting, on/off, metric/imperial conversion.

- 可选附件: Micro USB接口输出线或我厂无线传输产品。
- Optional accessories: SPC interface output cable.
- 纽扣锂电池: CR2032-3V。
- Button lithium cell: CR2032-3V.
- 硬质合金划线爪。
- Hard alloy marking jaw.

### 主要技术参数

#### Main technical parameters

产品代码 Product code	测量范围mm Measuring range mm	分辨力mm/in Division value mm	精度mm Precision mm	库存 Inventory
1013020021	0-200	0.01	±0.03	常备 Running stock
1013030021	0-300	0.01	±0.04	常备 Running stock
1013050021	0-500	0.01	±0.05	常备 Running stock

### 主要尺寸

#### Main dimension

测量范围mm Measuring range mm	基本尺寸 (mm) Basic dimensions (mm)								紧固螺钉 Fastening screw	夹表附件 Holding part	划线爪 Marking jaw	电池 Cell
	L	A	B	C	H	F	N	K				
0-200	375	139	22	91	6	15	50	45	M4x16	5013000008	5013000006	5013099001
0-300	475	139	22	91	6	15	50	45	M4x16	5013000008	5013000006	5013099001
0-500	690	184	22	117	8	15	50	56	M4x16	5013000008	5013000006	5013099001

A26



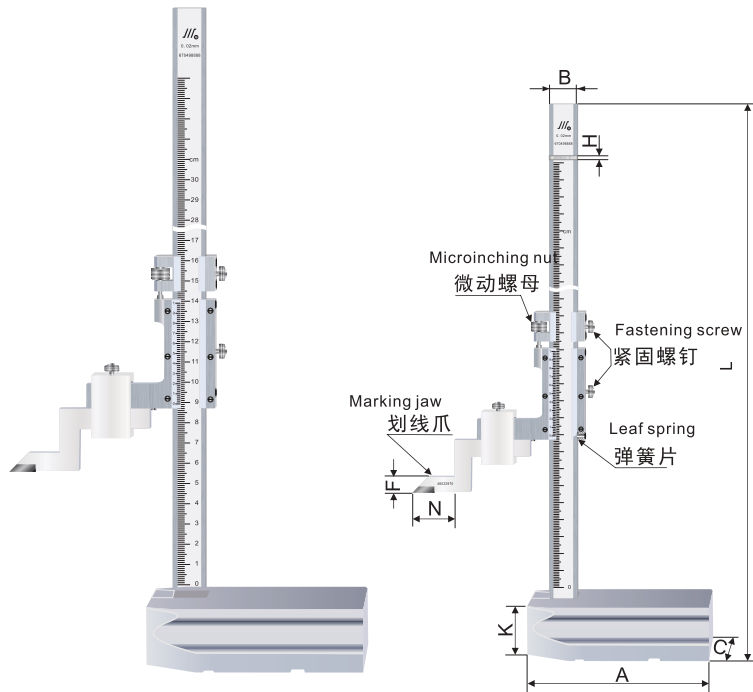
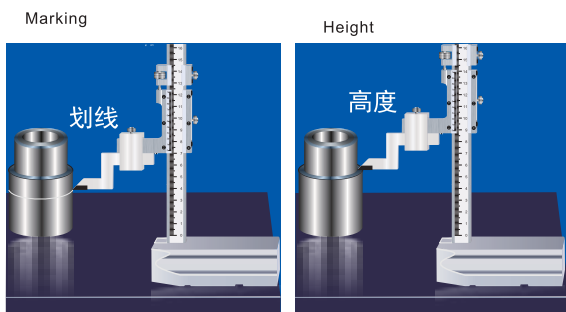
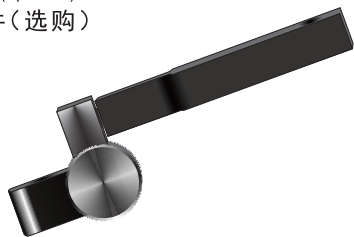
## 游标高度卡尺\*0~1500mm

Vernier Height Gauges \* o - 1500mm

执行标准: GB/T 21390-2008

Executive standard: GB/T 21389-2008

Holding part (optional)  
夹表附件 (选购)




### 特点 Characteristics

- 适用于测量高度、阶差及标准划线。
- Suitable for measuring height, step difference and standard marking.
- 碳钢或不锈钢制造。
- Made of carbon steel or stainless steel.
- 刻度尺面镀铬。
- Chromeplated caliper surface.
- 带微动装置。
- With a microinching unit.
- 硬质合金划线头。
- Hard alloy marking head.

### 主要技术参数 Main technical parameters

产品代码 Product code	测量范围mm Measuring range mm	分度值mm Resolution mm/In	精度mm Precision mm	库存 Inventory
1012202002	0-200	0.02	±0.03	常备 Running stock
1012203002	0-300	0.02	±0.04	常备 Running stock
1012205002	0-500	0.02	±0.05	常备 Running stock
1012210002	0-1000	0.02	±0.07	常备 Running stock
1012215002	0-1500	0.02	±0.11	常备 Running stock

### 主要尺寸 Main dimension

测量范围mm Measuring range mm	基本尺寸 (mm) Basic dimensions (mm)								紧固螺钉 Fastening screw 
	L	A	B	C	H	F	N	K	
0-200	321	108	17	60	5	10	25	30	M2.5x8
0-300	421	108	17	60	5	10	25	30	M2.5x8
0-500	661	140	25	80	8	15	50	39	M4x10
0-1000	1233	200	32	120	13	20	80	50	M6x16
0-1500	1733	200	32	120	13	20	80	50	M6x16



## B.千分尺目录

B. Micrometer catalog

外径千分尺 Outside Micrometers	
千分尺----- Micrometers	B01-03
微米千分尺----- Micrometers 0.001mm	B04
杠杆千分尺----- Micrometers with Dial Comparator	B05
电子数显千分尺----- Digital Micrometers	B06-07
专用外径千分尺 Special Outside Micrometers	
刀口千分尺----- Blade Micrometers	B08
壁厚千分尺----- Tube Micrometers	B09
小测头千分尺----- Micrometers with Small Measuring Head	B10
尖头千分尺----- Point Micrometers	B11
公法线千分尺----- Gear Tooth Micrometers	B12
单刀口千分尺----- Single Edge Type Micrometers	B13
单尖头千分尺----- Single Point Micrometers	B14
加长测砧千分尺----- Extension Measuring Rod Micrometers	B15
双球面千分尺----- Dual-Spherical micrometers	B16
内径千分尺 Inside Micrometers	
内测千分尺----- Inside Micrometers	B17
三爪内径千分尺----- Three-Point Internal Micrometers	B18
内径千分尺(两点式)----- Inside Micrometers (two-point)	B19-20
内径千分尺(单杆式)----- Inside Micrometers (single-rod)	B21
深度千分尺 Depth Micrometers	
深度千分尺(接杆式)----- Depth Micrometers (connection rods)	B22
深度千分尺(插杆式)----- Depth Micrometers (insertion)	B23
测微头 Micrometer Head	
测微头----- Micrometer Head	B24-25



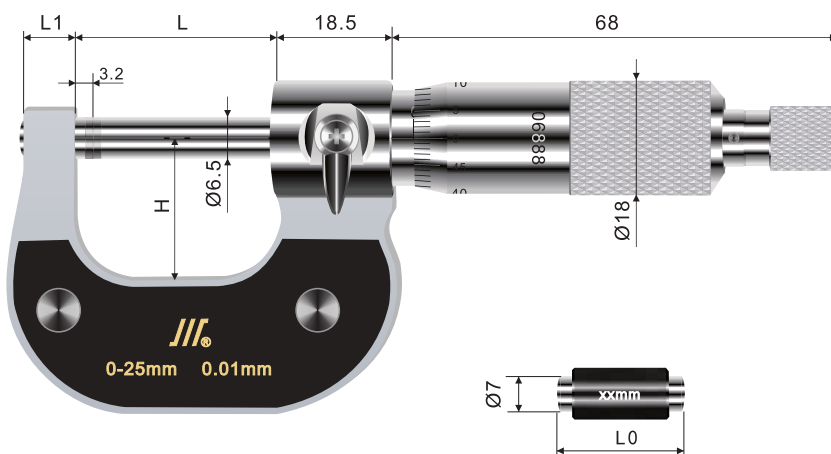
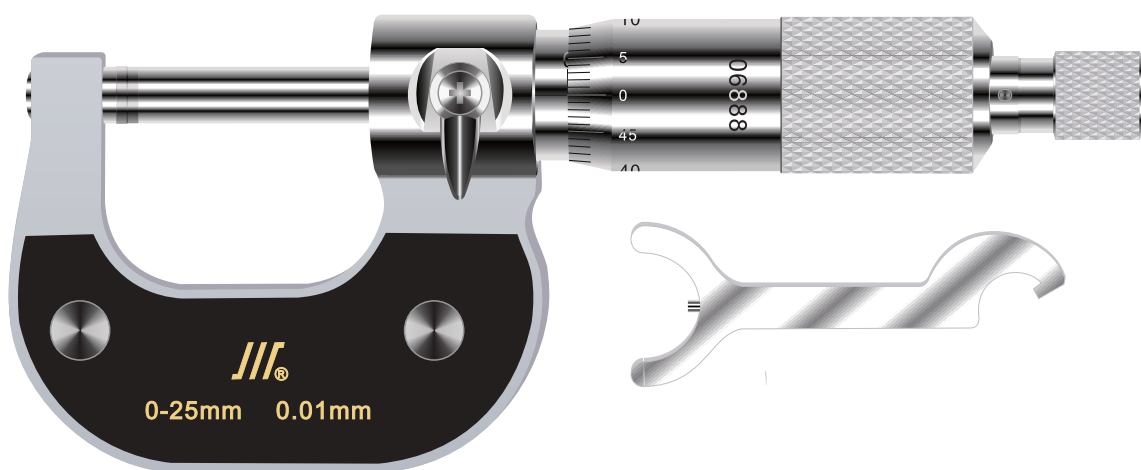
**外径千分尺\*0-100mm**  
Outside Micrometers \*100 - 300mm

执行标准: GB/T1216-2018  
Executive standard: GB/T1216-2018

1. 适用于外尺寸的测量。
2. 硬质合金测量面。
3. 粉末冶金镀铬尺架。
4. 零位可调。
5. 棘轮测力。

1. Suitable for measuring external dimensions.
2. Solid carbide measuring surface.
3. Powder metallurgy scale holder plated with dark chrome.
4. Adjustable zero setting.
5. Ratchet dynamometry

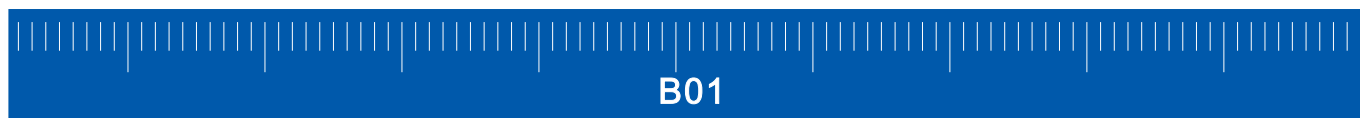
B 千分尺 B. Standard caliper



**主要技术参数及尺寸**

Main technical parameters and dimensions

产品代码 Product code	测量范围 mm Measuring range	分度值 mm Division value	精度 mm Accuracy	基本尺寸 (mm) Basic dimensions			校对量杆 L <sub>0</sub> (mm) Calibration Measuring Rod L <sub>0</sub>	库存 Inventory
				L1	L	H		
1011131030	0-25	0.01	0.004	8	31.4	22	-	常备 Running stock
1011131031	25-50	0.01	0.004	8	56.4	27	25	常备 Running stock
1011131032	50-75	0.01	0.004	10	81.4	44.5	50	常备 Running stock
1011131033	75-100	0.01	0.004	12	106.4	57	75	常备 Running stock





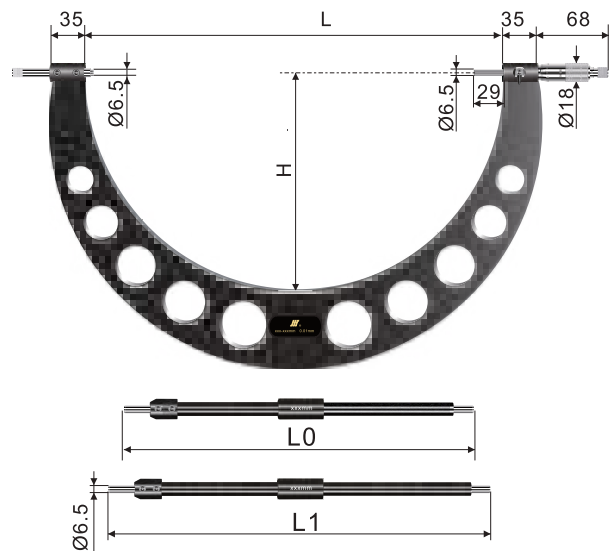


**外径千分尺 (可调) \*300-1000mm**  
Outside Micrometers (adjustable) \*300-1000mm

执行标准: GB/T1216-2018  
Executive standard: GB/T1216-2018

1. 适用于外尺寸的测量; 测砧可调, 测量范围大。
  2. 硬质合金测量面。
  3. 钢板黑色喷塑尺架。
  4. 零位可调。
  5. 棘轮测力。
1. Suitable for measuring external dimensions with adjustable gauge button and a wide measurement range.
  2. The measuring surface is made of hard alloy.
  3. Steel scale holder sprayed with black plastics.
  3. Steel scale holder sprayed with black plastics.
  5. Ratchet dynamometry

B 千分尺 B. Standard caliper



**主要技术参数及尺寸**

Main technical parameters and dimensions

产品代码 Product code	测量范围 mm Measuring range	分度值 mm Division value	精度 mm Accuracy	基本尺寸 (mm) Basic dimensions		校对量杆 L <sub>0</sub> (mm) Calibration Measuring Rod L <sub>0</sub>	库存 Inventory
				L	H		
1011131080	300-400	0.01	0.011	410	215	325/375	常备 Running stock
1011131081	400-500	0.01	0.013	510	265	425/475	常备 Running stock
1011131082	500-600	0.01	0.015	610	315	525/575	常备 Running stock
1011131083	600-700	0.01	0.016	710	365	625/675	常备 Running stock
1011131084	700-800	0.01	0.018	810	415	725/775	常备 Running stock
1011131085	800-900	0.01	0.020	910	465	825/875	常备 Running stock
1011131086	900-1000	0.01	0.022	1010	515	925/975	常备 Running stock

B03



## 微米千分尺\*0-100mm

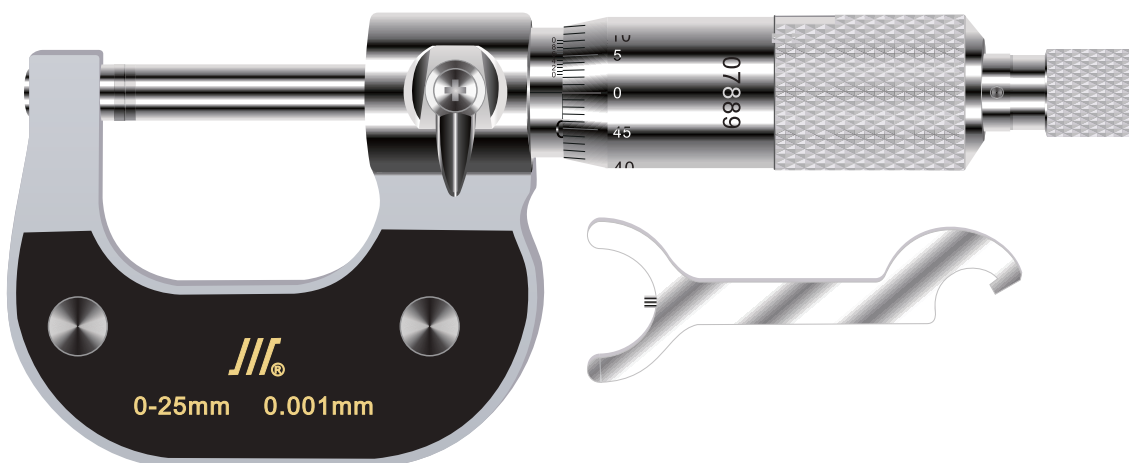
Outside Micrometers with 0.001mm \*0-100mm

执行标准: GB/T1216-2018

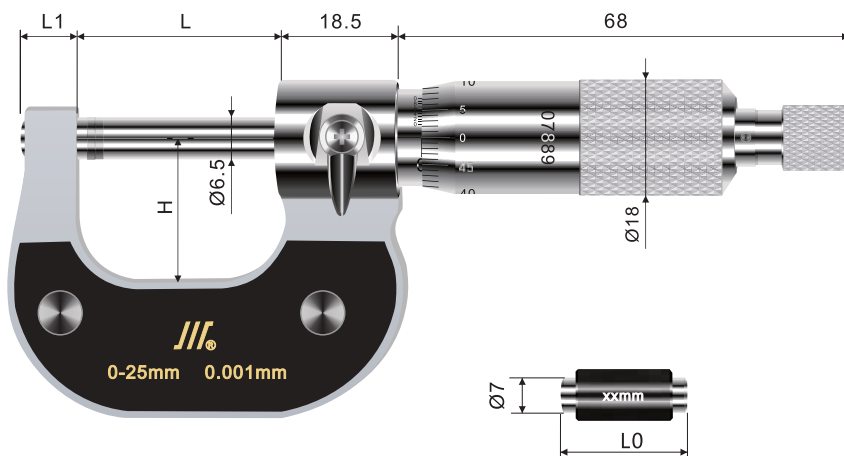
Executive standard: GB/T1216-2018

1. 适用于外尺寸的测量。
2. 硬质合金测量面。
3. 粉末冶金镀暗铬尺架。
4. 0.001mm读数可在游标上读得。
5. 零位可调。
6. 棘轮测力。

1. Suitable for measuring external dimensions.
2. Hard alloy measuring surface.
3. Powder metallurgy scale holder plated with dark chrome.
4. The reading of 0.001 mm can be read on the vernier.
5. Adjustable zero setting.
6. Ratchet dynamometry



B 千分尺 B. Stanard caliper



### 主要技术参数及尺寸

Main technical parameters and dimensions

产品代码 Product code	测量范围 mm Measuring range	分度值 mm Division value	精度 mm Accuracy	基本尺寸 (mm) Basic dimensions			校对量杆 L <sub>0</sub> (mm) Calibration Measuring Rod L <sub>0</sub>	库存 Inventory
				L1	L	H		
1011135011	0-25	0.001	0.002	8	31.4	22	-	常备 Running stock
1011135012	25-50	0.001	0.002	8	56.4	27	25	常备 Running stock
1011135013	50-75	0.001	0.003	10	81.4	44.5	50	常备 Running stock
1011135014	75-100	0.001	0.003	12	106.4	57	75	常备 Running stock

B04

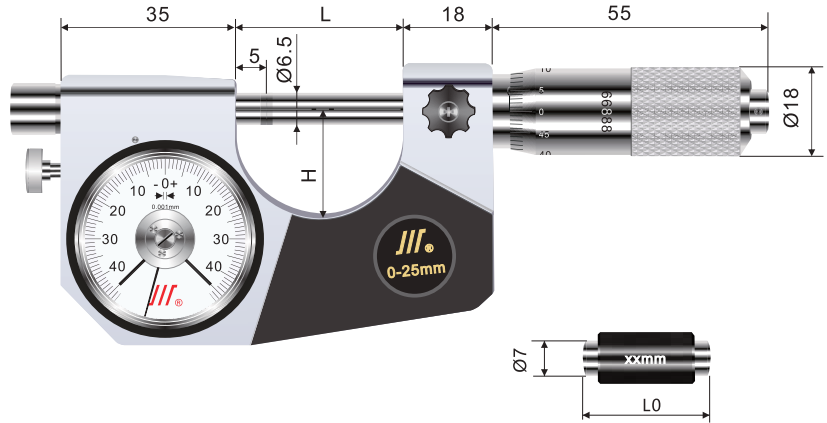


**杠杆千分尺\*0-150mm**  
Lever Micrometers \*0-150mm

执行标准: GB/T8061-2022  
Executive standard: GB/T8061-2022

1. 适用于外径尺寸的精密测量（直接测量或比较测量）。
  2. 活动测砧连接高精度“指示表”具有很高的测量精度及测量效率。
  3. 硬质合金测量面。
  4. 粉末冶金镀暗铬尺架(≥50钢尺架)。
  5. 调整零位：转动微分筒到零位，指针应转到活动测砧中心线的垂直方向，且与表盘零刻度线重合；若指针不与表盘零刻度线重合，用螺丝刀旋转表壳上调零机构，转动表盘使其重合。
  6. 比较测量：转动微分筒到被测零件的公称尺寸，然后紧固锁紧装置，将量块组（等于公称尺寸）放在两测量面之间，按几下旋钮，当指针稳定后，转动调零机构，使表盘零刻度线与指针重合稳定后，即可进行测量。
- 1.Suitable for precision measurement of outside dimensions (direct measurement or comparative measurement).  
2.The movable gauge button connected to high precision "dial gauge" has high measurement accuracy and efficiency.  
3.Hard alloy measuring surface.  
4.Powder metallurgy scale holder plated with dark chrome (≥50 steel scale holder).  
5.Adjust the zero position: Rotate the microdrum to the zero position where the pointer should be turned to the vertical direction of the center line of the movable gauge button and coincide with the zero graduation line of the dial plate. If the pointer fails to coincide with the zero graduation line on the dial plate, use a screwdriver to rotate the zeroing mechanism on the case and rotate the dial plate to make it coincide.  
6.Comparative measurement: Rotate the microdrum to the nominal dimension of the measured part, then tighten the locking device, place the gauge block group (equal to the nominal dimension) between the two measuring surfaces, press the knob a few times, and when the pointer stabilizes, rotate the zeroing mechanism to ensure that the zero graduation line on the dial plate coincides with the pointer and stabilizes, and then proceed with the measurement.

B 千分尺 B. Standard caliper



**主要技术参数及尺寸**

Main technical parameters and dimensions

产品代码 Product code	测量范围 mm Measuring range	分度值 mm Division value	指示表最大允许误差 (±20分度内) mm Maximum permissible error of dial gauge (within ± 20 divisions)	最大允许 误差 mm Maximum permissible error	基本尺寸 (mm) Basic dimensions		校对量杆 L0 (mm) Calibration Measuring Rod L <sub>0</sub>	库存 Inventory
					L	H		
1011142005	0-25	0.001	±0.0005	0.003	34	22.3	-	常备 Running stock
1011142006	25-50	0.001	±0.0005	0.003	59	30.3	25	常备 Running stock
1011142007	50-75	0.001	±0.0005	0.004	84	42	50	常备 Running stock
1011142008	75-100	0.001	±0.0005	0.004	109	54	75	常备 Running stock
101114200901	100-125	0.001	±0.0005	0.004	134	64	-	非标 Non-standard
101114201001	125-150	0.001	±0.0005	0.004	159	76	-	非标 Non-standard

B05



## 数显外径千分尺（七键式）\*0-100mm

Digital Outside Micrometers (seven-key) \*0 - 100mm

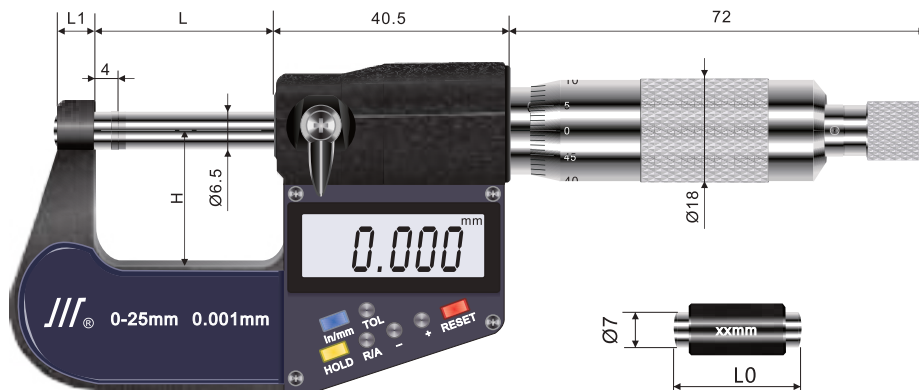
执行标准: GB/T 20919-2018

Executive standard: GB/T20919 - 2018

- 用途: 适用于外尺寸的测量。
  - 液晶屏显示。
  - 有数据输出接口, 可配接我厂无线传输产品。
  - 硬质合金测量面。
  - 具有零位设置、相对位置置零、相对测量和绝对测量转换、公差设置、数据保持、公英制转换等功能。
  - 棘轮测力。
- Purpose: Suitable for measuring external dimensions.
  - LCD
  - There is a data output interface.
  - Hard alloy measuring surface.
  - It has functions such as zero setting, relative position zeroing, relative and absolute measurement conversion, tolerance setting, data retention, and metric and imperial conversion.
  - Ratchet dynamometry



B 千分尺 B. Standard caliper



### 主要技术参数及尺寸

Main technical parameters and dimensions

产品代码 Product code	测量范围 mm Measuring range	分辨率 mm Resolution	精度 mm Accuracy	基本尺寸 (mm) Basic dimensions			校对量杆 Lo (mm) Calibration Measuring Rod L <sub>0</sub>	电池 Cell LR44 1.55V	库存 Inventory
				L1	L	H			
1013102501	0-25	0.001	±0.003	6	31	24	-	5013090100	常备 Running stock
1013105001	25-50	0.001	±0.003	7	56	26.5	25	5013090100	半备 Half stock
1013107501	50-75	0.001	±0.004	7	82	42	50	5013090100	半备 Half stock
1013110001	75-100	0.001	±0.004	8	107	55	75	5013090100	半备 Half stock

B06



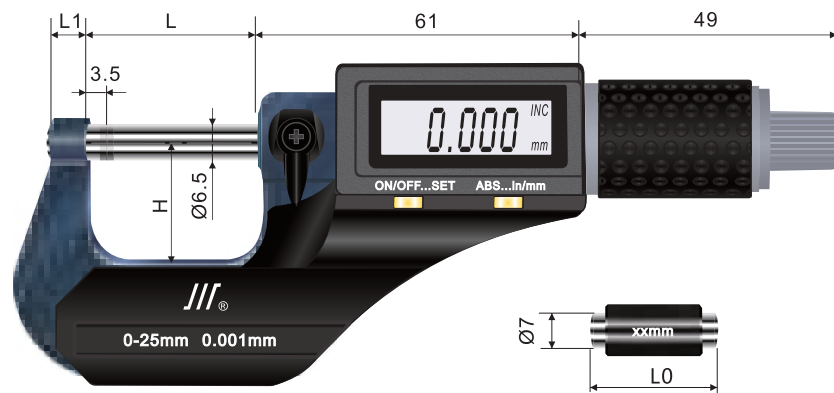
**数显外径千分尺（二键式）\*0-100mm**  
Digital Outside Micrometers (two-key) \* 0-100 mm

执行标准: GB/T 20919-2018  
Executive standard: GB/T20919 - 2018

1. 适用于外尺寸的测量。
2. 液晶屏显示，有数据输出功能，可配接我厂生产的无线传输产品。
3. 硬质合金测量面。
4. 具有零位设置、相对测量/绝对测量转换、开/关电源、公英制转换等功能。
5. 棘轮套测力。
6. 锂电池CR2032-3V。

1. Suitable for measuring external dimensions.
2. LCD, data output function, support connection to wireless transmission products produced by our factory.
3. Hard alloy measuring surface.
4. It has functions such as zero setting, relative/absolute measurement conversion, power on/off, and metric / inch conversion.
5. Ratchet sleeve dynamometry.
6. Lithium cell CR2032-3V.

B 千分尺 B. Standard caliper



**主要技术参数及尺寸**

Main technical parameters and dimensions

产品代码 Product code	测量范围 mm Measuring range	分辨率 mm Resolution	精度 mm Accuracy	测力 N	基本尺寸 (mm) Basic dimensions			校对量杆 Lo (mm) Calibration Measuring Rod L <sub>0</sub>	电池 Cell 	库存 Inventory
					L1	L	H			
1013102521	0-25	0.001	±0.003	5-10	7	31.5	23.5	-	5013099001	常备 Running stock
1013105021	25-50	0.001	±0.003	5-10	8.8	57	34	25	5013099001	半备 Half stock
1013107521	50-75	0.001	±0.004	5-10	8	82	44.5	50	5013099001	半备 Half stock
1013110021	75-100	0.001	±0.004	5-10	8	107.5	56	75	5013099001	半备 Half stock





## 刀口千分尺\*0~100mm

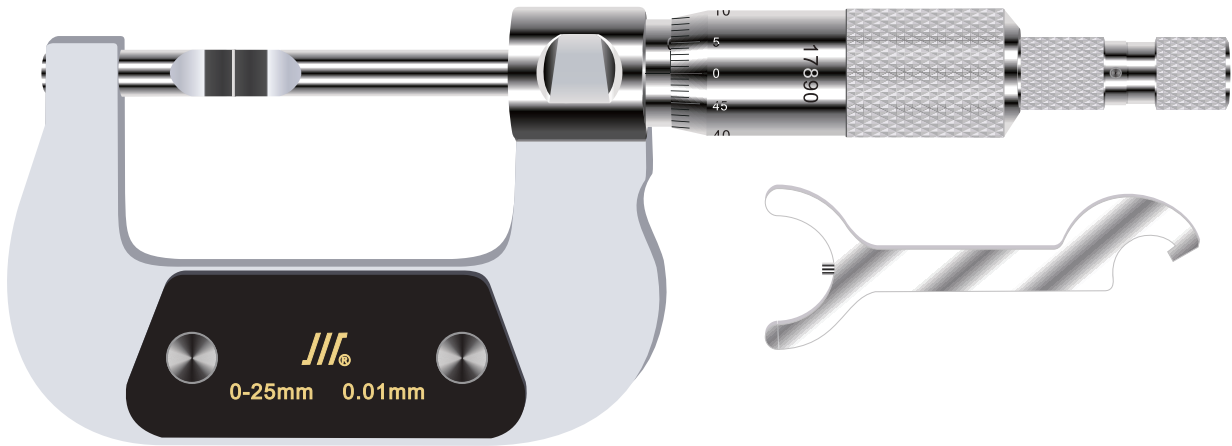
Knife Edge Micrometers \* 0-100 mm

执行标准: Q/ 74034169-5.07-2013

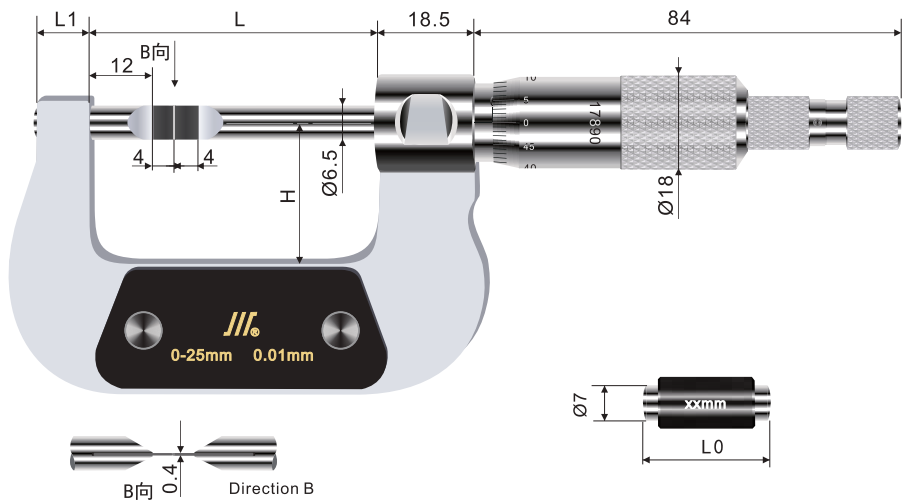
Executive standard: Q/74034169-5.07-2013

1. 适用于各种外环窄槽尺寸的测量。
2. 直进式测微螺杆。
3. 硬质合金测量面。
4. 粉末冶金镀暗铬尺架。
5. 零位可调。
6. 棘轮测力。

1. Suitable for measuring various narrow groove sizes of outer rings.
2. Straight micrometric screw.
3. Hard alloy measuring surface.
4. Powder metallurgy scale holder plated with dark chrome.
5. Adjustable zero setting.
6. Ratchet dynamometry



B 千分尺 B. Standard caliper



### 主要技术参数及尺寸

Main technical parameters and dimensions

产品代码 Product code	测量范围 mm Measuring range	分度值 mm Division value	精度 mm Accuracy	基本尺寸 (mm) Basic dimensions			校对量杆 L <sub>0</sub> (mm) Calibration Measuring Rod L <sub>0</sub>	库存 Inventory
				L1	L	H		
1011168043	0-25	0.01	0.004	8	56.4	27	-	常备 Running stock
1011168044	25-50	0.01	0.004	10	81.4	44.5	25	半备 Half stock
1011168045	50-75	0.01	0.005	12	106.4	57	50	半备 Half stock
1011168046	75-100	0.01	0.005	12	131	70	75	订产 Reserve production



B08



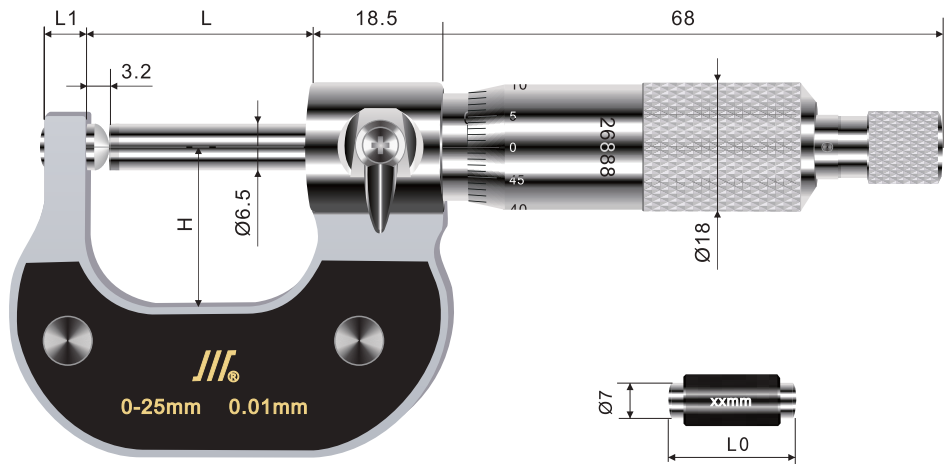
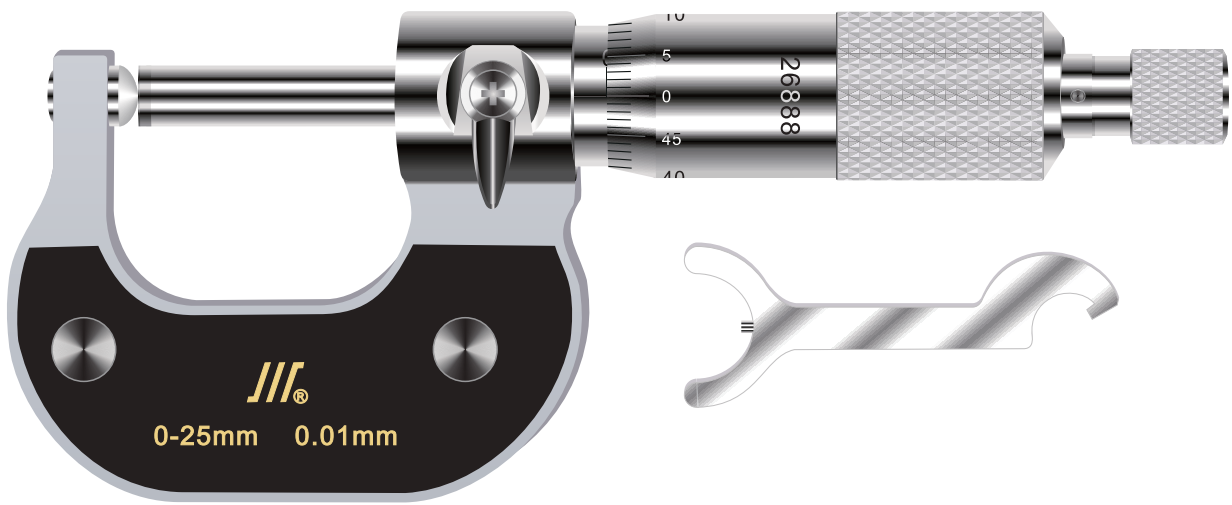


**壁厚千分尺\*0~100mm**  
Tube Micrometers \* 0-100 mm

执行标准: GB/T6312-2022  
Executive standard: GB/T6312-2022

- |                                                                                                                                                       |                                                                                                                                                                                                                                                                                                              |
|-------------------------------------------------------------------------------------------------------------------------------------------------------|--------------------------------------------------------------------------------------------------------------------------------------------------------------------------------------------------------------------------------------------------------------------------------------------------------------|
| <ol style="list-style-type: none"> <li>1. 适用于测量不同管形零件的壁厚尺寸</li> <li>2. 硬质合金测量面。</li> <li>3. 粉末冶金镀暗铬尺架。</li> <li>4. 零位可调。</li> <li>5. 棘轮测力。</li> </ol> | <ol style="list-style-type: none"> <li>1. Suitable for measuring the wall thickness of different tubular parts</li> <li>2. Hard alloy measuring surface.</li> <li>3. Powder metallurgy scale holder plated with dark chrome.</li> <li>4. Adjustable zero setting.</li> <li>5. Ratchet dynamometry</li> </ol> |
|-------------------------------------------------------------------------------------------------------------------------------------------------------|--------------------------------------------------------------------------------------------------------------------------------------------------------------------------------------------------------------------------------------------------------------------------------------------------------------|

B 千分尺 B. Standard caliper



**主要技术参数及尺寸**

Main technical parameters and dimensions

产品代码 Product code	测量范围 mm Measuring range	分度值 mm Division value	精度 mm Accuracy	基本尺寸 (mm) Basic dimensions			校对量杆 L <sub>0</sub> (mm) Calibration Measuring Rod L <sub>0</sub>	库存 Inventory
				L1	L	H		
1011106001	0-25	0.01	0.004	5.7	31.4	22	-	常备 Running stock
1011106002	25-50	0.01	0.004	5.7	56.4	27	25	常备 Running stock
1011106003	50-75	0.01	0.005	7	81.4	44.5	50	常备 Running stock
1011106004	75-100	0.01	0.005	7	106.4	57	75	常备 Running stock





## 小测头千分尺\*0~75mm

Micrometers with Small Measuring Head \* 0-75 mm

执行标准: JB/T 10005-2012

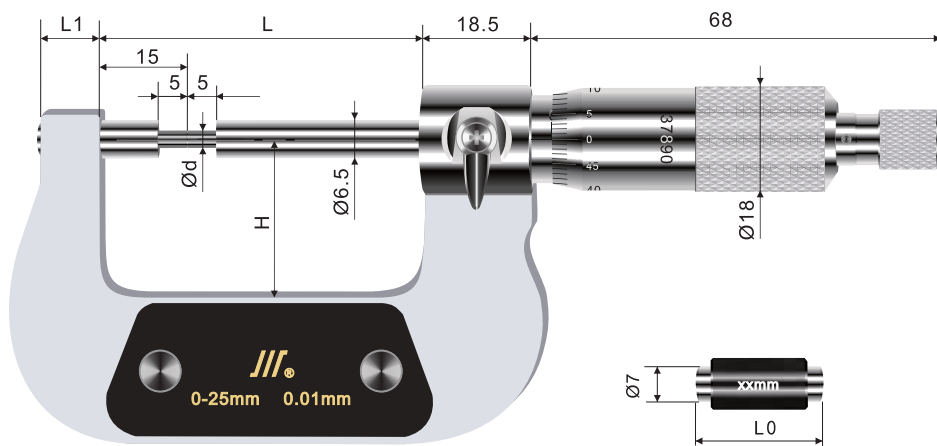
Executive standard: JB/T 10005-2012

1. 适用于测量花键、键槽等零件尺寸。
2. 粉末冶金镀暗铬尺架。
3. 零位可调。
4. 棘轮测力。

1. Suitable for measuring the dimensions of parts such as splines and keyways.
2. Powder metallurgy scale holder plated with dark chrome.
3. Adjustable zero setting.
4. Ratchet dynamometry



B 千分尺 B. Standard caliper



### 主要技术参数及尺寸

Main technical parameters and dimensions

产品代码 Product code	测量范围 mm Measuring range	分度值 mm Division value	精度 mm Accuracy	基本尺寸 (mm) Basic dimensions				校对量杆 L <sub>0</sub> (mm) Calibration Measuring Rod L <sub>0</sub>	库存 Inventory
				L1	L	H	Ød		
1011161060	0-25	0.01	0.004	8	56.4	27	2	-	半备 Half stock
1011161061	25-50	0.01	0.004	10	81.4	44.5	2	25	半备 Half stock
1011161062	50-75	0.01	0.005	12	106.4	57	2	50	半备 Half stock
1011161047	0-25	0.01	0.004	8	56.4	27	3	-	半备 Half stock
1011161048	25-50	0.01	0.004	10	81.4	44.5	3	25	半备 Half stock
1011161049	50-75	0.01	0.005	12	106.4	57	3	50	半备 Half stock

B10



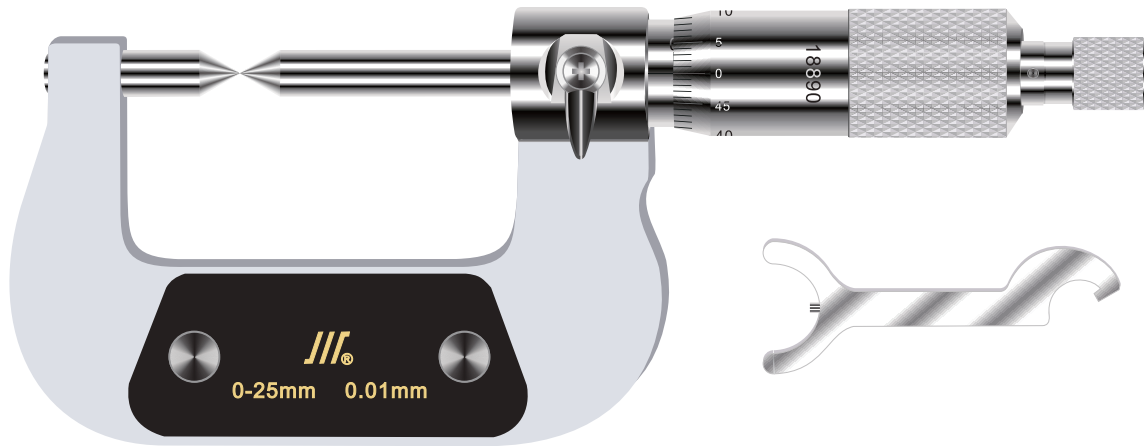
## 尖头千分尺\*0~75mm

Point Micrometers \* 0-75 mm

执行标准: GB/T 6313-2018

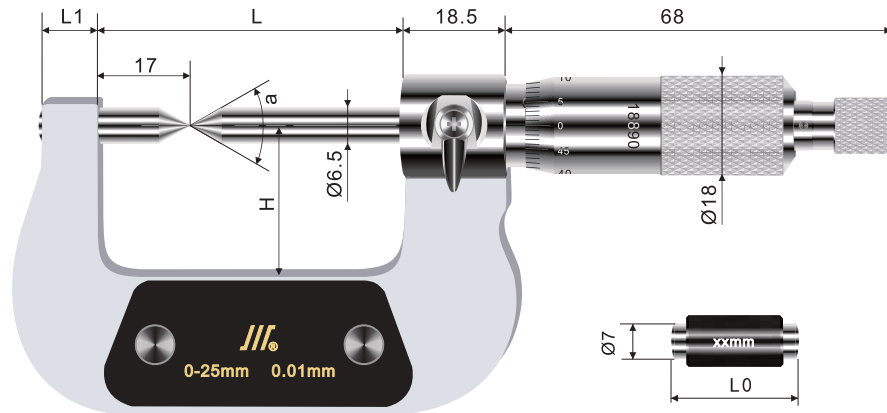
Executive standard: GB/T 6313-2018

- |                                                                                                                                               |                                                                                                                                                                                                                                                                                                           |
|-----------------------------------------------------------------------------------------------------------------------------------------------|-----------------------------------------------------------------------------------------------------------------------------------------------------------------------------------------------------------------------------------------------------------------------------------------------------------|
| <ul style="list-style-type: none"> <li>1. 适用于测量钻头、偶数丝锥芯部直径及小凹槽等难以测量的部位。</li> <li>2. 粉末冶金镀暗铬尺架。</li> <li>3. 零位可调。</li> <li>4. 棘轮测力。</li> </ul> | <ul style="list-style-type: none"> <li>1. Suitable for measuring parts difficult to measure, such as bits, even tap core diameters, and small grooves</li> <li>2. Powder metallurgy scale holder plated with dark chrome.</li> <li>3. Adjustable zero setting.</li> <li>4. Ratchet dynamometry</li> </ul> |
|-----------------------------------------------------------------------------------------------------------------------------------------------|-----------------------------------------------------------------------------------------------------------------------------------------------------------------------------------------------------------------------------------------------------------------------------------------------------------|



B 千分尺 B. Standard caliper

Even slot core diameter



### 主要技术参数及尺寸

Main technical parameters and dimensions

产品代码 Product code	测量范围 Measuring range mm	分度值 Division value mm	精度 Accuracy mm	基本尺寸 (mm) Basic dimensions				校对量杆 L <sub>0</sub> (mm) Calibration Measuring Rod L <sub>0</sub>	库存 Inventory
				L1	L	H	a		
1011141052	0-25	0.01	0.004	8	56.4	27	30°	-	半备 Half stock
1011141053	25-50	0.01	0.004	10	81.4	44.5	30°	25	半备 Half stock
1011141054	50-75	0.01	0.005	12	106.4	57	30°	50	半备 Half stock
1011141025	0-25	0.01	0.004	8	56.4	27	60°	-	半备 Half stock
1011141026	25-50	0.01	0.004	10	81.4	44.5	60°	25	半备 Half stock
1011141027	50-75	0.01	0.005	12	106.4	57	60°	50	半备 Half stock

B11



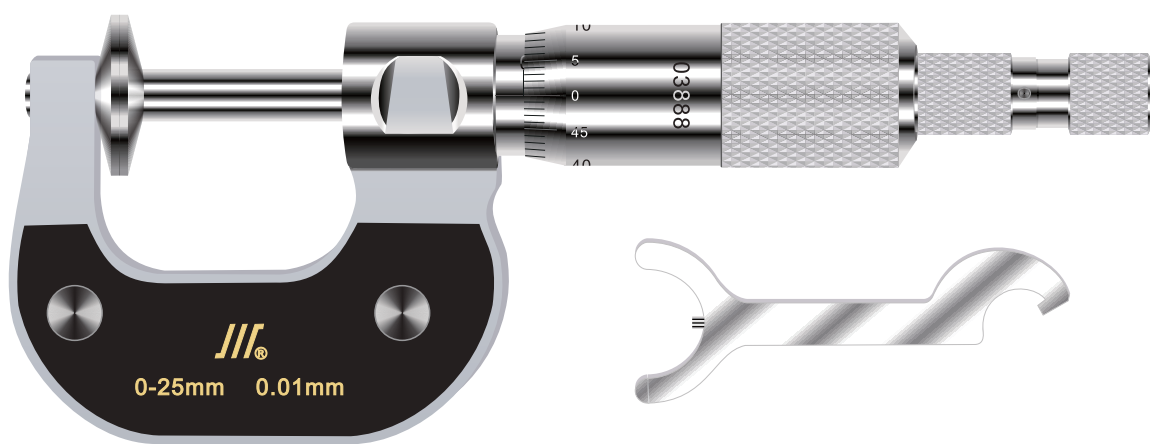


公法线千分尺\*0~100mm  
Gear Tooth Micrometers \* 0-100 mm

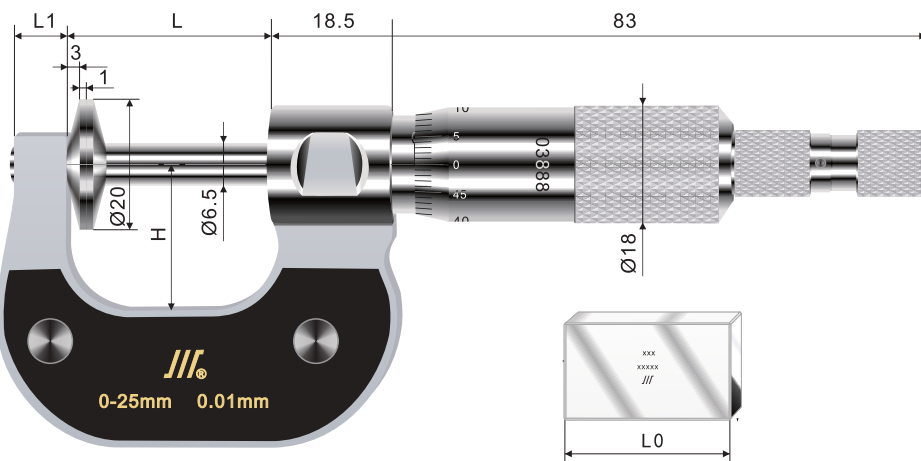
执行标准: GB/T1217-2022  
Executive standard: GB/T1217-2022

1. 适用于测量齿轮公法线及纸厚等尺寸。
2. 直进式测微螺杆。
3. 粉末冶金镀暗铬尺架。
4. 零位可调。
5. 棘轮测力。

1. Suitable for measuring gear common normal and paper thickness.
2. Straight micrometric screw.
3. Powder metallurgy scale holder plated with dark chrome.
4. Adjustable zero setting.
5. Ratchet dynamometry



B 千分尺 B. Standard caliper

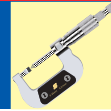


主要技术参数及尺寸

Main technical parameters and dimensions

产品代码 Product code	测量范围 mm Measuring range	分度值 mm Division value	精度 mm Accuracy	基本尺寸 (mm) Basic dimensions			校对块L0 (mm) Proofreading blocks	库存 Inventory
				L1	L	H		
1011631030	0-25	0.01	0.004	8	31.4	22	-	常备 Running stock
1011631031	25-50	0.01	0.004	8	56.4	27	25	半备 Half stock
1011631032	50-75	0.01	0.005	10	81.4	44.5	50	半备 Half stock
1011631033	75-100	0.01	0.005	12	106.4	57	75	半备 Half stock





## 单刀口千分尺\*0~75mm

Single Edge Type Micrometers \* 0-75 mm

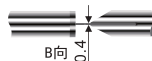
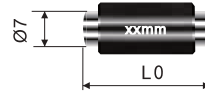
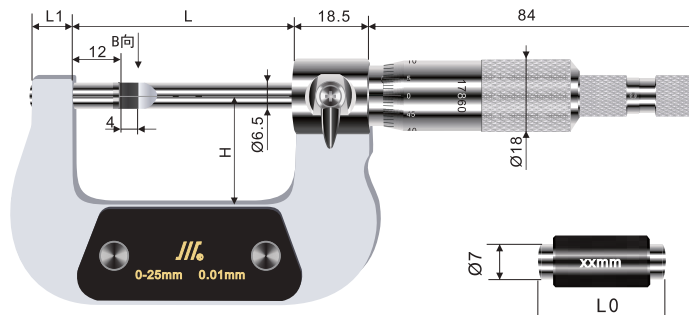
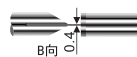
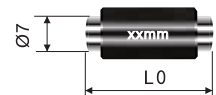
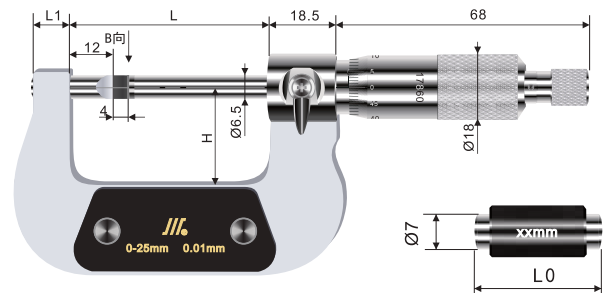
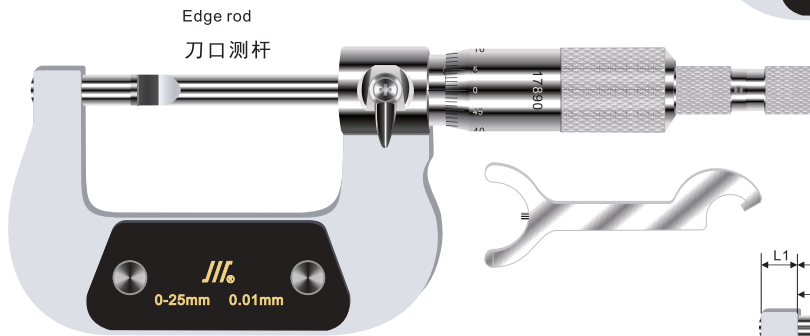
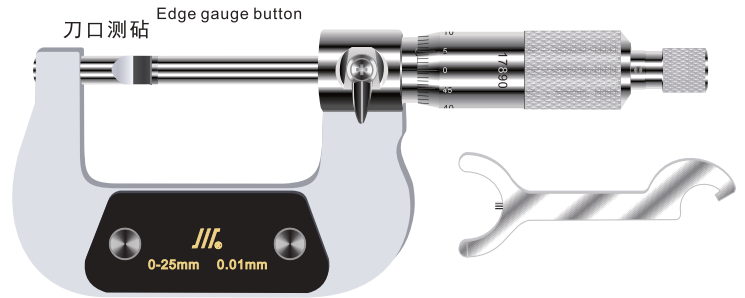
执行标准: Q/ 74034169-5.07-2013

Executive standard: Q/74034169-5.07-2013

1. 适用于各种窄槽外径尺寸的测量。
2. 硬质合金测量面。
3. 粉末冶金电镀暗铬尺架。
4. 零位可调。
5. 棘轮测力。

1. Suitable for measuring various narrow groove outer diameter sizes.
2. Hard alloy measuring surface.
3. Powder metallurgy scale holder plated with dark chrome.
4. Adjustable zero setting.
5. Ratchet dynamometry

B 千分尺 B. Standard caliper



### 主要技术参数及尺寸

Main technical parameters and dimensions

产品代码 Product code	测量范围 mm Measuring range	分度值 mm Division value	精度 mm Accuracy	基本尺寸 (mm) Basic dimensions			校对量杆 Lo (mm) Calibration Measuring Rod L <sub>0</sub>	库存 Inventory
				L1	L	H		
非标 Non-standard	0-25	0.01	0.004	8	56.4	27	-	订产 Reserve production
非标 Non-standard	25-50	0.01	0.004	10	81.4	44.5	25	订产 Reserve production
非标 Non-standard	50-75	0.01	0.005	12	106.4	57	50	订产 Reserve production

B13



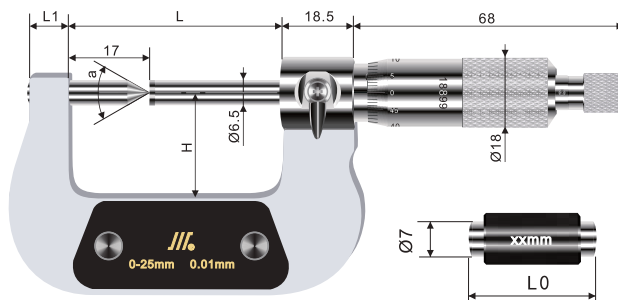
单尖头千分尺\*0~75mm  
Single point micrometer \* 0-75 mm

执行标准: GB/T6313-2018  
Executive standard: GB/T6313-2022

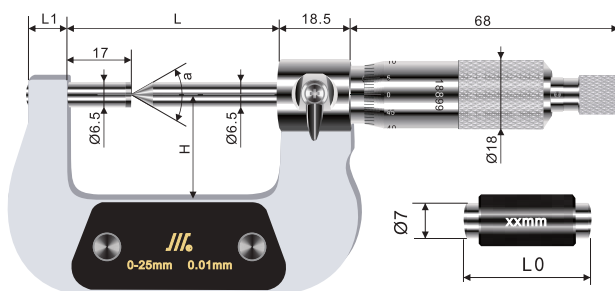
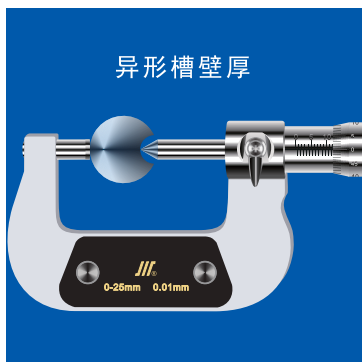
1. 适用于测量各种异形沟槽等外尺寸。
2. 粉末冶金镀暗铬尺架。
3. 零位可调。
4. 棘轮测力。

1. Suitable for measuring various external dimensions such as irregular grooves.
2. Powder metallurgy scale holder plated with dark chrome.
3. Adjustable zero setting.
4. Ratchet dynamometry

B 千分尺 B. Standard caliper



Wall thickness of irregular groove



主要技术参数及尺寸

Main technical parameters and dimensions

产品代码 Product code	测量范围 Measuring range mm	分度值 Division value mm	精度 Accuracy mm	基本尺寸 (mm) Basic dimensions				校对量杆 L0 (mm) Calibration Measuring Rod L <sub>0</sub>	库存 Inventory
				L1	L	H	a		
非标 Non-standard	0-25	0.01	0.004	8	56.4	27	30°/60°	-	订产 Reserve production
非标 Non-standard	25-50	0.01	0.004	10	81.4	44.5	30°/60°	25	订产 Reserve production
非标 Non-standard	50-75	0.01	0.005	12	106.4	57	30°/60°	50	订产 Reserve production



## 加长测砧千分尺\*0~75mm

Extension Measuring Rod Micrometers \* 0-75 mm

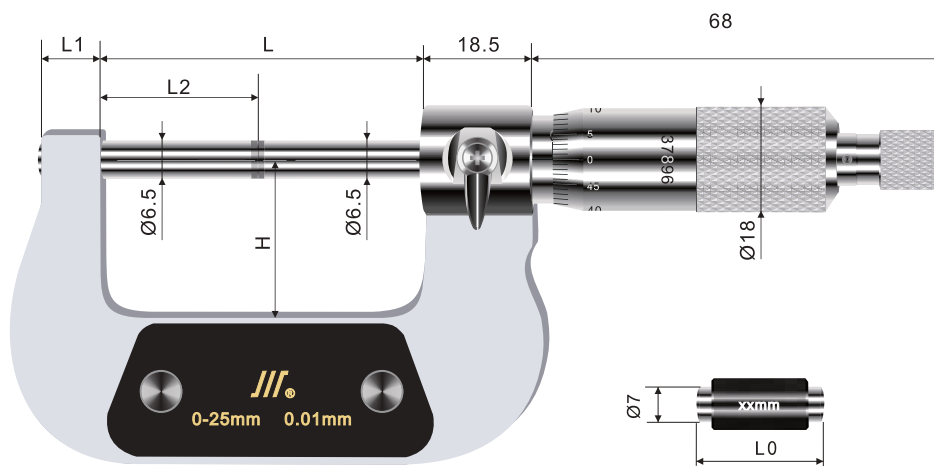
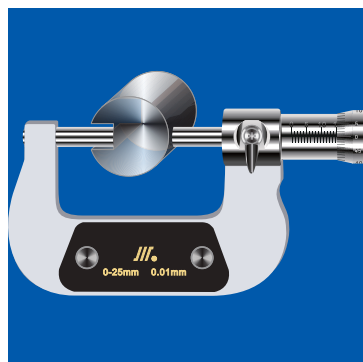
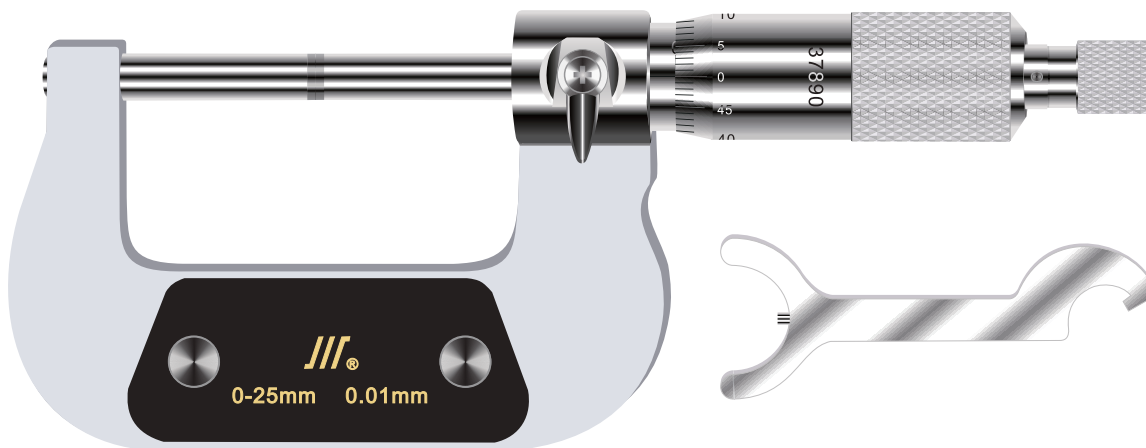
执行标准: GB/T1216-2018

Executive standard: GB/T1216-2018

1. 适用于异形外尺寸的测量。
2. 硬质合金测量面。
3. 粉末冶金镀暗铬尺架。
4. 零位可调。
5. 棘轮测力。

1. Suitable for measuring irregular external dimensions.
2. Hard alloy measuring surface.
3. Powder metallurgy scale holder plated with dark chrome.
4. Adjustable zero setting.
5. Ratchet dynamometry

B 千分尺  
B. Standard caliper



### 主要技术参数及尺寸

Main technical parameters and dimensions

产品代码 Product code	测量范围 mm Measuring range	分度值 mm Division value	精度 mm Accuracy	基本尺寸 (mm) Basic dimensions				校对量杆 L <sub>0</sub> (mm) Calibration Measuring Rod L <sub>0</sub>	库存 Inventory
				L1	L	长测砧L2	H		
非标 Non-standard	0-25	0.01	0.004	8	56.4	定制 Customized	27	-	订产 Reserve production
非标 Non-standard	25-50	0.01	0.004	10	81.4	定制 Customized	44.5	25	订产 Reserve production
非标 Non-standard	50-75	0.01	0.005	12	106.4	定制 Customized	57	50	订产 Reserve production

B15



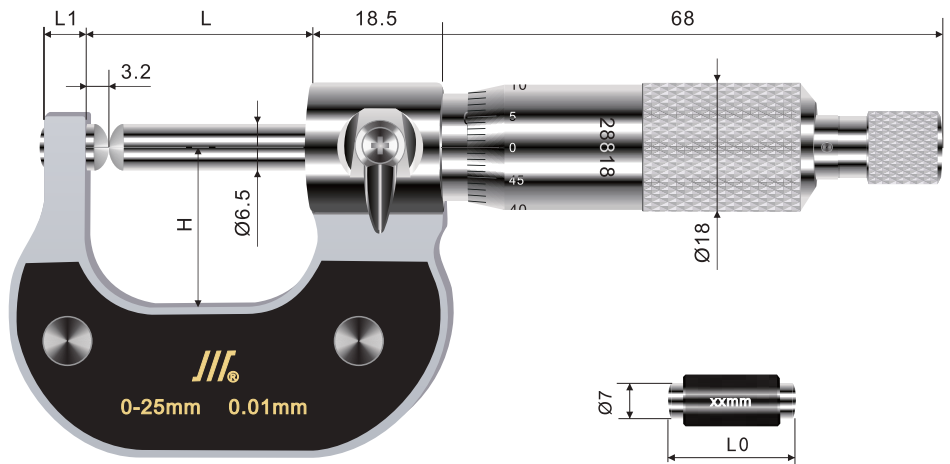
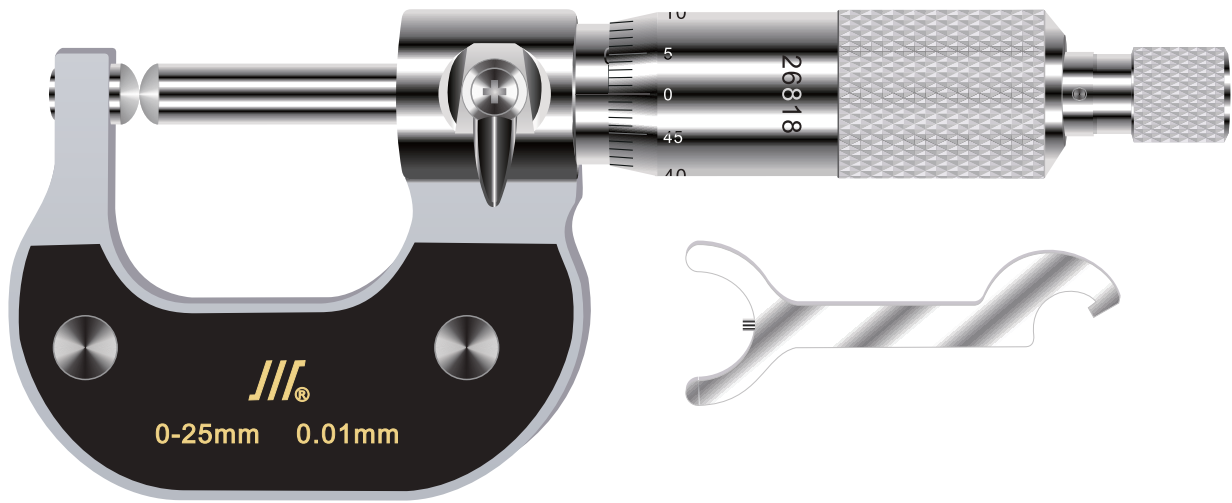
双球面千分尺\*0~100mm  
Dual-Spherical Micrometers \* 0-100 mm

执行标准: GB/T 1216-2018

Executive standard: GB/T 1216-2018

1. 用于测量位置为点接触的壁厚尺寸
2. 粉末冶金镀暗铬尺架。
3. 零位可调。
4. 硬质合金测量面。
5. 棘轮测力。

1. Used to measure point contact wall thickness
2. Powder metallurgy scale holder plated with dark chrome.
3. Adjustable zero setting.
4. Hard alloy measuring surface.
5. Ratchet dynamometry



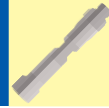
主要技术参数及尺寸

Main technical parameters and dimensions

产品代码 Product code	测量范围 mm Measuring range	分度值 mm Division value	精度 mm Accuracy	基本尺寸 (mm) Basic dimensions			校对量杆 Lo (mm) Calibration Measuring Rod L <sub>0</sub>	库存 Inventory
				L1	L	H		
非标 Non-standard	0-25	0.01	0.004	5.7/8	31.4	22	-	订产 Reserve production
非标 Non-standard	25-50	0.01	0.004	5.7/8	56.4	27	25	订产 Reserve production
非标 Non-standard	50-75	0.01	0.005	7/10	81.4	44.5	50	订产 Reserve production
非标 Non-standard	75-100	0.01	0.005	7/12	106.4	57	75	订产 Reserve production







## 三爪内径千分尺\* 6 ~ 200mm

Three-Point Internal Micrometers \* 12-200 mm

执行标准: GB/T 6314-2018

Executive standard: GB/T 6314-2018

1. 适用于盲孔和通孔的精密测量, 分度值0.005mm.
2. 配有150mm接长杆可测量深孔尺寸.
3. 氮化钛涂层硬质合金测量头.
4. 测量范围100mm以内, 配有校对环规;
5. 棘轮测力.

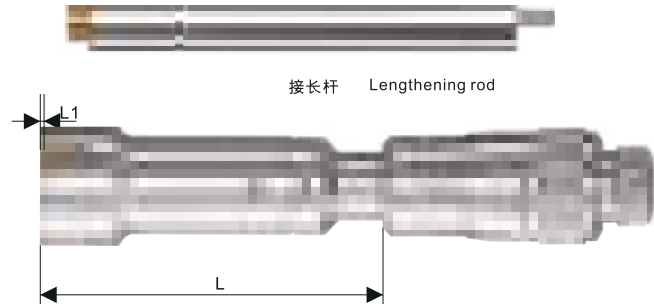
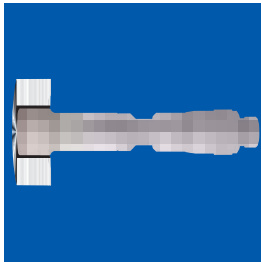
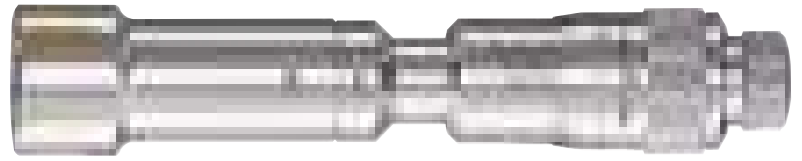
1 Suitable for precision measurement of blind holes and through holes, with a division

2 Equipped with a 150 mm lengthening rod

3 Hard alloy measuring head with titanium

4 Measurement range within 100 mm, equipped with a check ring gauge;

5 Ratchet dynamometry.



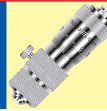
B 千分尺 B. Standard caliper

### 主要技术参数及尺寸

Main technical parameters and dimensions

产品代码 Product code	测量范围 mm Measuring range	分度值 mm Division value	精度 mm Accuracy	基本尺寸 (mm) Basic dimensions		配校对环规mm Equipped with check ring gauge	接长杆mm Lengthening rod	库存 Inventory				
				L	L1							
1011300608	6-8	0.001	0.004	56	1.2	φ 6		常备 Running stock				
1011300810	8-10			60		φ 8		常备 Running stock				
1011301012	10-12			φ 10		常备 Running stock						
1011301216	12-16	0.005	0.004	95	0.5	φ 12	150	常备 Running stock				
1011301620	16-20					φ 16		常备 Running stock				
1011302025	20-25					φ 20		常备 Running stock				
1011302530	25-30					φ 25		常备 Running stock				
1011303040	30-40					φ 30		常备 Running stock				
1011304050	40-50					φ 40		常备 Running stock				
1011305063	50-63					φ 50		常备 Running stock				
1011306275	62-75					0.005		109	0.5	φ 62	150	常备 Running stock
1011307588	75-88									φ 75		常备 Running stock
1011308700	87-100									φ 87		常备 Running stock
1011310025	100-125	0.006	200	1	φ 100选配 Matching	200	订产 Reserve production					
1011312550	125-150				φ 125选配 Matching		订产 Reserve production					
1011315075	150-175				φ 150选配 Matching		订产 Reserve production					
1011317500	175-200				φ 175选配 Matching		订产 Reserve production					

B18

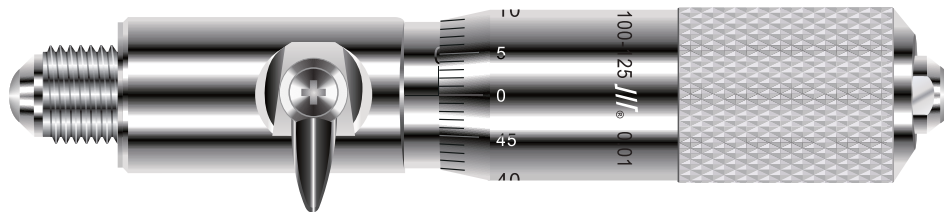


内径千分尺（两点式）\*50~1500mm  
Inside Micrometers (Two-point) \*50~1500mm

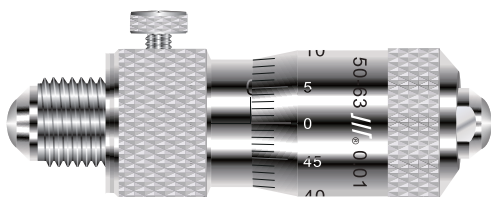
执行标准：GB/T 8177-2004  
Executive standard: GB/T 8177-2004

1. 测量内尺寸、槽宽及两个内端面之间的距离。组合“接长杆”测量内尺寸范围大。  
1. Measure the internal dimensions, groove width, and the distance between the two inside ends. A combination of "lengthening rods" can realize extensive measurement of inside dimensions.
2. 配备校对卡规校对零位。  
2. Equipped with calibration caliper to calibrate zero position.
3. 硬质合金测量面。  
3. Hard alloy measuring surface.
4. 测微头、接长杆表面镀暗铬。  
4. The surface of micrometer head and lengthening rod is coated with dark chrome.

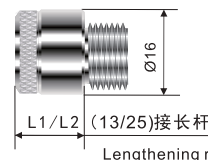
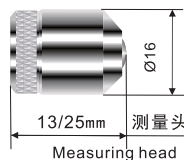
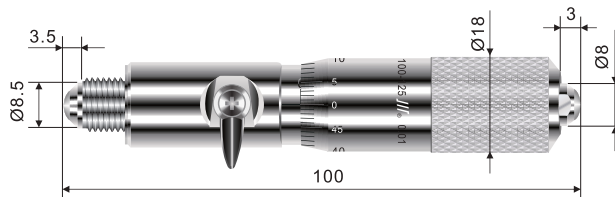
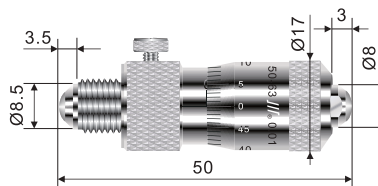
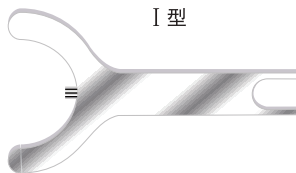
B 千分尺 B. Standard caliper



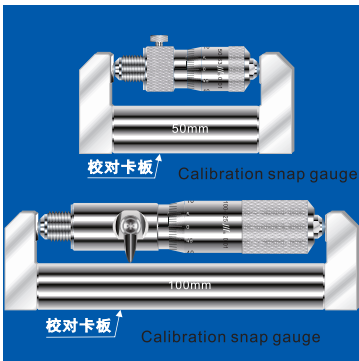
II 型



I 型



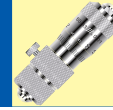
单位：mm



主要技术参数及尺寸

Main technical parameters and dimensions

产品代码 Product code	测量范围 mm Measuring range	分度值 mm Division value	精度 mm Accuracy	测微头 Micrometer head		测量头 Measuring head		接长杆 Lengthening rod								校对卡板 mm Calibration snap gauge	型号	库存 Inventory	
				50-63	100-125	行程	13	25	L1	L2	L3	L4	L5	L6	L7				L8
1011171042	50-160	0.01	0.007	○		13	○	13	25	50							50	I 型	常备 Running stock
1011171063	50-250	0.01	0.008	○		13	○	13	25	50	100						50	I 型	常备 Running stock
1011171041	50-600	0.01	0.016	○		13	○	13	25	50	100	150	200				50	I 型	常备 Running stock
1011171001	100-1200	0.01	0.022		○	25	○		25	50	100			200	300	400	100	II 型	常备 Running stock
1011171036	100-1400	0.01	0.027		○	25	○		25	50	100			200 (2件)	300	400	100	II 型	常备 Running stock
1011171037	100-1500	0.01	0.027		○	25	○		25	50	100			200 (2件)	300 (2件)	400	100	II 型	常备 Running stock



## 内径千分尺（两点式）\*150~6000mm

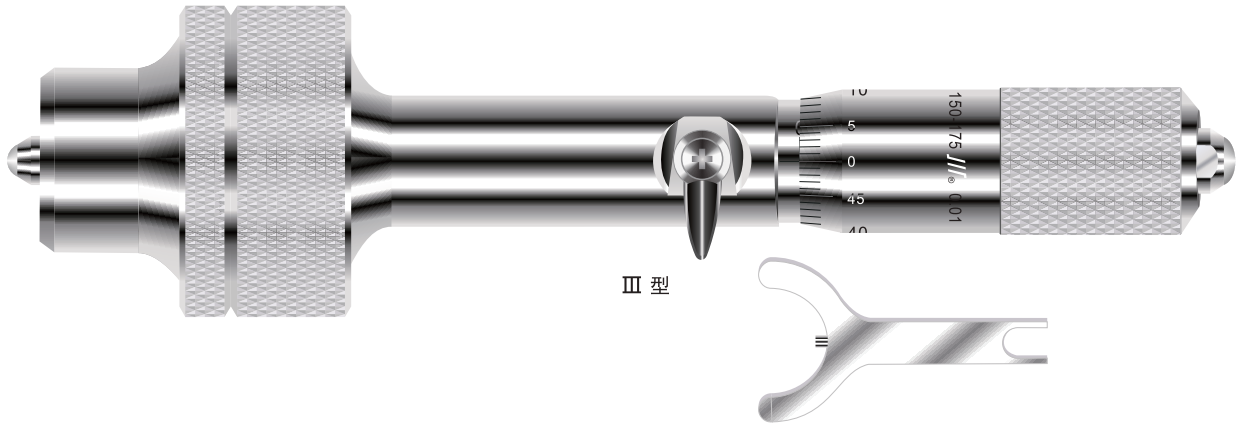
Inside Micrometers (Two-point) \*150~6000mm

执行标准：GB/T 8177-2004

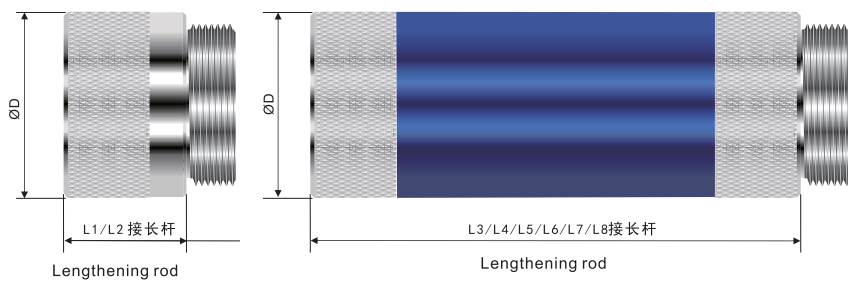
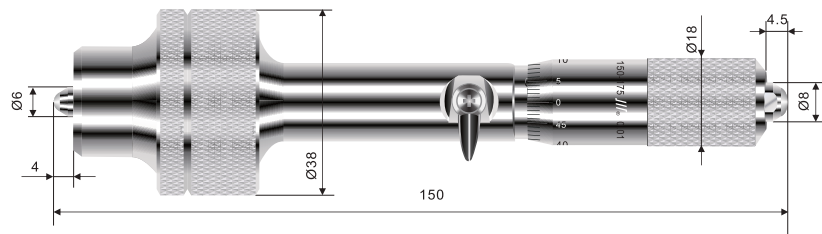
Executive standard: GB/T 8177-2004

1. 测量内尺寸、槽宽及两个内端面之间的距离；组合“接长杆”测量内尺寸范围大。
2. 配备校对卡规校对零位。
3. 硬质合金测量面。
4. 测微头镀暗铬；>50mm接长杆铝合金管材蓝色喷塑。

1. Measure the internal dimensions, groove width, and the distance between the two inside ends; the combination of "lengthening rods" has a wide range of internal dimensions for measurement.
2. Equipped with calibration caliper to calibrate zero position.
3. Hard alloy measuring surface.
4. Micrometer head coated with dark chrome; > 50mm lengthening rod aluminum alloy pipe sprayed with blue plastics.



III 型



### 主要技术参数及尺寸

Main technical parameters and dimensions

单位：mm

产品代码 Product code	测量范围 mm Measuring range	分度值 mm Division value	精度 mm Accuracy	测微头 Micrometer head		杆径 D (mm) Rod diamet.	接长杆 Lengthening rod								型号 Mode	库存 Inventory
				150-175	行程		L1	L2	L3	L4	L5	L6	L7	L8		
1011171038	150-2000	0.01	0.032	○	25	38	25	50	100	200	300	400	800		III型	常备 Running stock
1011171039	150-3000	0.01	0.050	○	25	38	25	50	100	200	300	400	800	1000	III型	常备 Running stock
1011171040	150-4000	0.01	0.060	○	25	38	25	50	100	200	300	400	800	1000 (2件)	III型	常备 Running stock
1011171060	150-5000	0.01	0.072	○	25	53	25	50	100	200	300	400	800	1000 (3件)	III型	常备 Running stock
1011171061	150-6000	0.01	0.090	○	25	53	25	50	100	200	300	400	800	1000 (4件)	III型	常备 Running stock

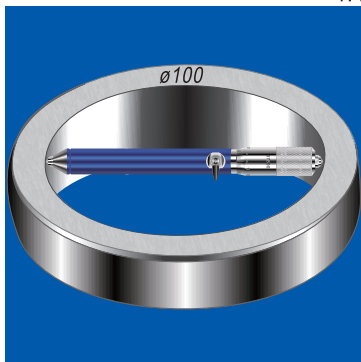
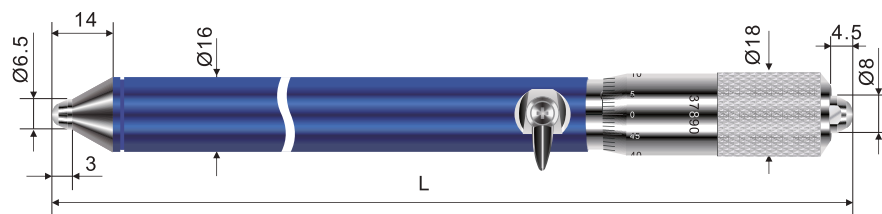
B20



**内径千分尺 (单杆式) \*100~1500mm**  
Inside Micrometers (single rod) \* 100-1500 mm

执行标准: GB/T 8177-2004  
Executive standard: GB/T 8177-2004

- 适用于测量内径尺寸、槽宽及两个内端面之间的距离。  
1. Suitable for measuring inner diameter size, groove width, and the distance between the two inside ends.
- 硬质合金测量面。  
2. Hard alloy measuring surface.
- 零位可调。  
3. Adjustable zero setting.
- 棘轮测力。  
4. Ratchet dynamometry.



B 千分尺 B. Standard caliper

**主要技术参数及尺寸**

Main technical parameters and dimensions

产品代码 Product code	测量范围 mm Measuring range	分度值 mm Division value	精度 mm Accuracy	总长 L (mm) Total length	库存 Inventory
1011171011	100-125	0.01	0.005	100	订产 Reserve production
1011171012	125-150	0.01	0.005	125	订产 Reserve production
1011171013	150-175	0.01	0.005	150	订产 Reserve production
1011171014	175-200	0.01	0.005	175	订产 Reserve production
1011171015	200-225	0.01	0.007	200	订产 Reserve production
1011171016	225-250	0.01	0.007	225	订产 Reserve production
1011171017	250-275	0.01	0.007	250	订产 Reserve production
1011171018	275-300	0.01	0.007	275	订产 Reserve production
1011171019	300-325	0.01	0.009	300	订产 Reserve production
1011171020	325-350	0.01	0.009	325	订产 Reserve production
1011171021	350-375	0.01	0.009	350	订产 Reserve production
1011171022	375-400	0.01	0.009	375	订产 Reserve production
1011171023	400-425	0.01	0.009	400	订产 Reserve production
1011171024	425-450	0.01	0.009	425	订产 Reserve production
1011171025	450-475	0.01	0.009	450	订产 Reserve production
1011171026	475-500	0.01	0.009	475	订产 Reserve production
1011171027	500-525	0.01	0.013	500	订产 Reserve production
1011171028	525-550	0.01	0.013	525	订产 Reserve production
1011171029	550-575	0.01	0.013	550	订产 Reserve production
1011171030	575-600	0.01	0.013	575	订产 Reserve production
1011171031	600-625	0.01	0.013	600	订产 Reserve production
1011171032	625-650	0.01	0.013	625	订产 Reserve production
1011171033	650-675	0.01	0.013	650	订产 Reserve production
1011171067	675-700	0.01	0.013	675	订产 Reserve production
1011171068	700-725	0.01	0.013	700	订产 Reserve production
1011171069	725-750	0.01	0.013	725	订产 Reserve production
1011171070	750-775	0.01	0.013	750	订产 Reserve production
1011171071	775-800	0.01	0.013	775	订产 Reserve production

产品代码 Product code	测量范围 mm Measuring range	分度值 mm Division value	精度 mm Accuracy	总长 L (mm) Total length	库存 Inventory
1011171072	800-825	0.01	0.019	800	订产 Reserve production
1011171073	825-850	0.01	0.019	825	订产 Reserve production
1011171074	850-875	0.01	0.019	850	订产 Reserve production
1011171075	875-900	0.01	0.019	875	订产 Reserve production
1011171076	900-925	0.01	0.019	900	订产 Reserve production
1011171077	925-950	0.01	0.019	925	订产 Reserve production
1011171078	950-975	0.01	0.019	950	订产 Reserve production
1011171079	975-1000	0.01	0.019	975	订产 Reserve production
1011171080	1000-1025	0.01	0.022	1000	订产 Reserve production
1011171081	1025-1050	0.01	0.022	1025	订产 Reserve production
1011171082	1050-1075	0.01	0.022	1050	订产 Reserve production
1011171083	1075-1100	0.01	0.022	1075	订产 Reserve production
1011171084	1100-1125	0.01	0.022	1100	订产 Reserve production
1011171085	1125-1150	0.01	0.022	1125	订产 Reserve production
1011171086	1150-1175	0.01	0.022	1150	订产 Reserve production
1011171087	1175-1200	0.01	0.022	1175	订产 Reserve production
1011171088	1200-1225	0.01	0.022	1200	订产 Reserve production
1011171089	1225-1250	0.01	0.022	1225	订产 Reserve production
1011171090	1250-1275	0.01	0.022	1250	订产 Reserve production
1011171091	1275-1300	0.01	0.022	1275	订产 Reserve production
1011171092	1300-1325	0.01	0.025	1300	订产 Reserve production
1011171093	1325-1350	0.01	0.025	1325	订产 Reserve production
1011171094	1350-1375	0.01	0.025	1350	订产 Reserve production
1011171095	1375-1400	0.01	0.025	1375	订产 Reserve production
1011171096	1400-1425	0.01	0.025	1400	订产 Reserve production
1011171097	1425-1450	0.01	0.025	1425	订产 Reserve production
1011171098	1450-1475	0.01	0.025	1450	订产 Reserve production
1011171099	1475-1500	0.01	0.025	1475	订产 Reserve production



## 深度千分尺（接杆式）\*0~150mm

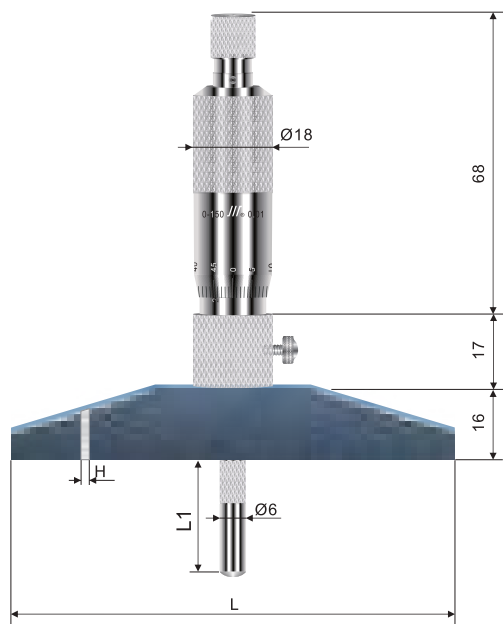
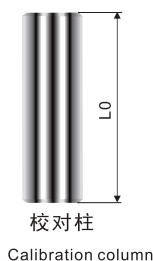
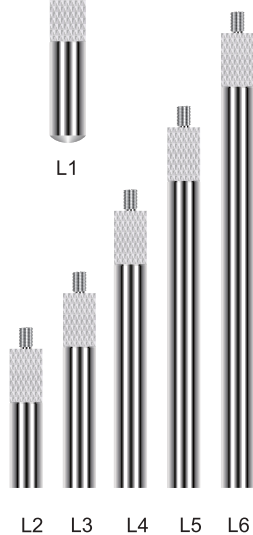
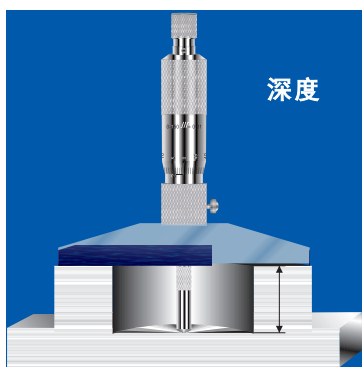
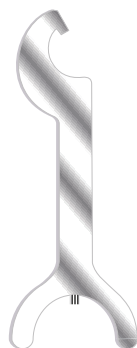
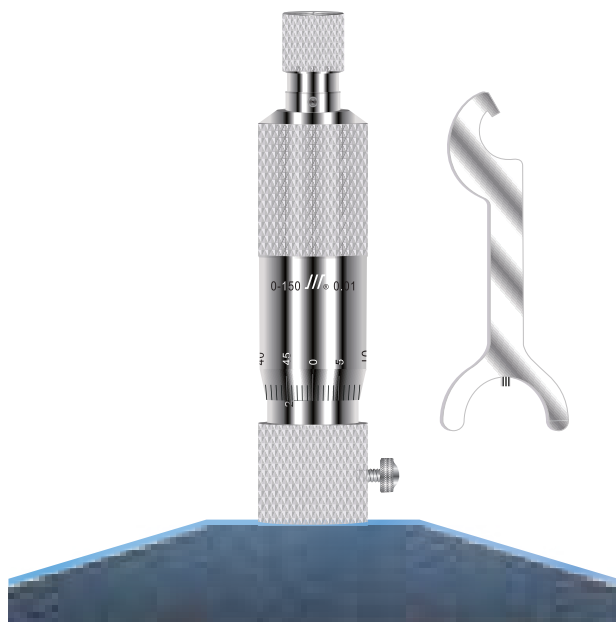
Depth Micrometers (connection rods) \* 0-150 mm

执行标准：GB/T 1218-2018

Executive standard: GB/T 1218-2018

1. 适用于零件深孔、深槽测量，组合“测量杆”测量范围大。
2. 配备校对柱校对零位。
3. 硬质合金测量头。
4. 基座选用优质淬火钢，耐磨性好。
5. 棘轮测力。

1. It is applicable to measure deep holes and slots of parts; a combination of "measuring rods" can realize extensive measurement.
2. Equipped with calibration column to calibrate zero position
3. Hard alloy measuring head
4. The base is made of high-quality hardened steel with good wear resistance.
5. Ratchet dynamometry



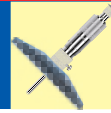
### 主要技术参数及尺寸

Main technical parameters and dimensions

单位：mm

产品代码 Product code	测量范围 mm Measuring range	分度值 mm Division value	精度 mm Accuracy	测微头 行程 mm Micrometer head stroke	基座 Base		测量头 Measuring head						校对柱 L0 (mm) Calibration column	库存 Inventory	
					L	H	L1	L2	L3	L4	L5	L6			
1011163018	0-25	0.01	0.004	25	76	18	25							-	常备 Running stock
1011163015	0-100	0.01	0.005	25	100	18	25	25	50	75			25、75	常备 Running stock	
1011163016	0-150	0.01	0.007	25	100	18	25	25	50	75	100	125	25、75、125	常备 Running stock	





# 深度千分尺（插杆式）\*0~150mm

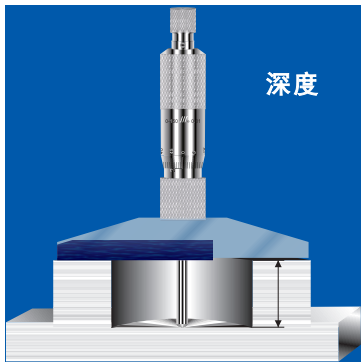
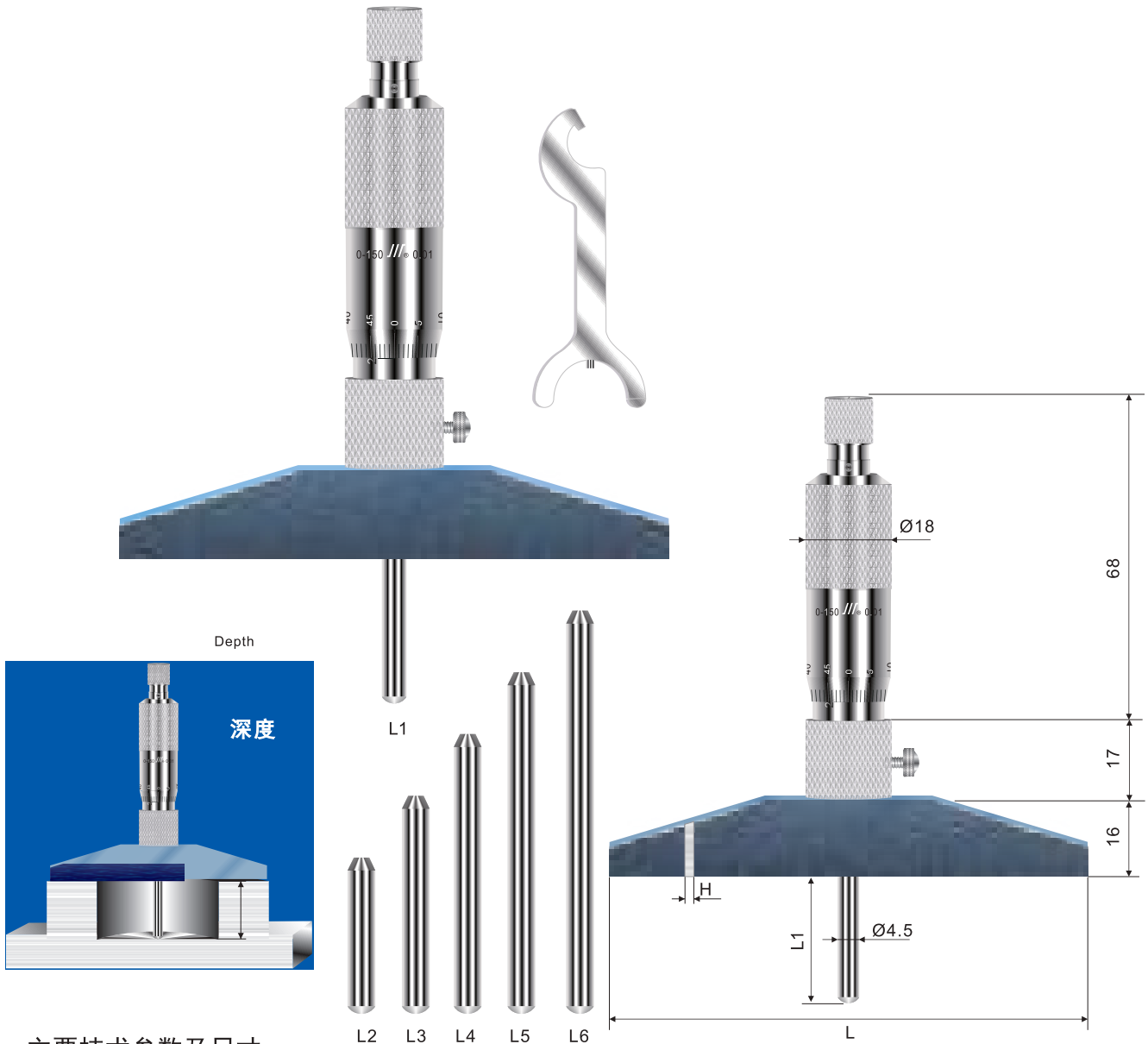
执行标准：JB/T10033-2018  
Executive standard: JB/T1 0033-201 8

Depth Micrometers (insertion) \*0~150mm

1. 适用于零件深孔, 深槽测量。
2. 成套高精度可换测杆, 更换时无需重新对零。
3. 基座及测量杆选用优质淬火钢, 耐磨性好。
4. 棘轮测力。

1. Suitable for measuring deep holes and grooves of parts
2. A complete set of high-precision replaceable measuring rods, without the need for re-zeroing during replacement.
3. The base and measuring rod are made of high-quality hardened steel with good wear resistance.
4. Ratchet dynamometry

B 千分尺 B. Standard caliper



## 主要技术参数及尺寸

Main technical parameters and dimensions

单位: mm

产品代码 Product code	测量范围 mm Measuring range	分度值 mm Division value	精度 mm Accuracy	测微头行程 Micrometer head	基座 Base		测量杆 Measuring rod						库存 Inventory	
					L	H	L1	L2	L3	L4	L5	L6		
1011163020	0-25	0.01	0.004	25	76	18	25							常备 Running stock
1011163019	0-100	0.01	0.005	25	100	18	25	50	75	100				常备 Running stock
1011163021	0-150	0.01	0.007	25	100	18	25	50	75	100	125	150		常备 Running stock





### 测微头\*0~25mm

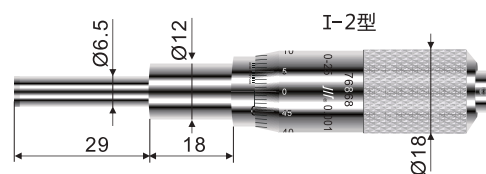
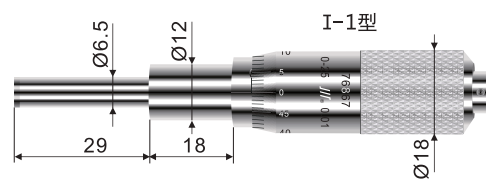
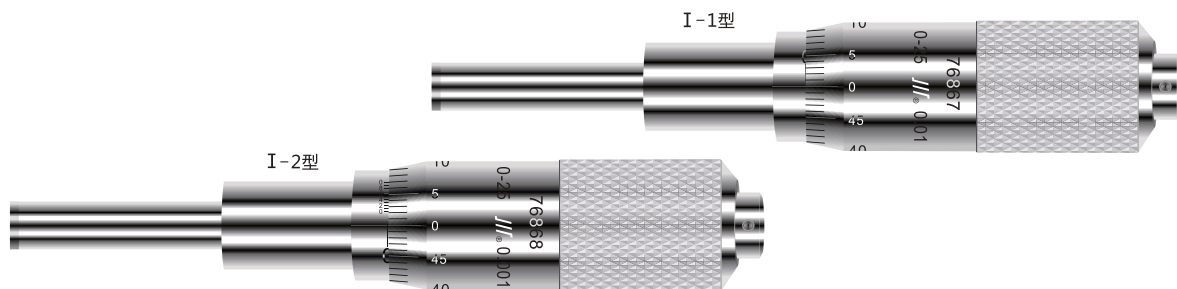
Micrometer Heads\*0~25 mm

执行标准: JB/T10033-2018

Executive standard: JB/T10033-2018

1. 适用于组合各种精密仪器、设备的微调与测量。
2. 硬质合金测量面(可选优质淬火钢球形测量面)。

1. Suitable for fine-tuning and measuring of various precision instruments and equipment.
2. Hard alloy measuring surface (optionally, high quality hardened steel spherical measuring surface).



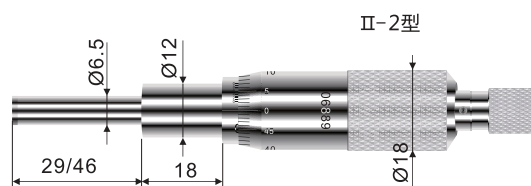
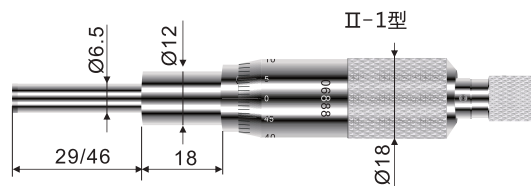
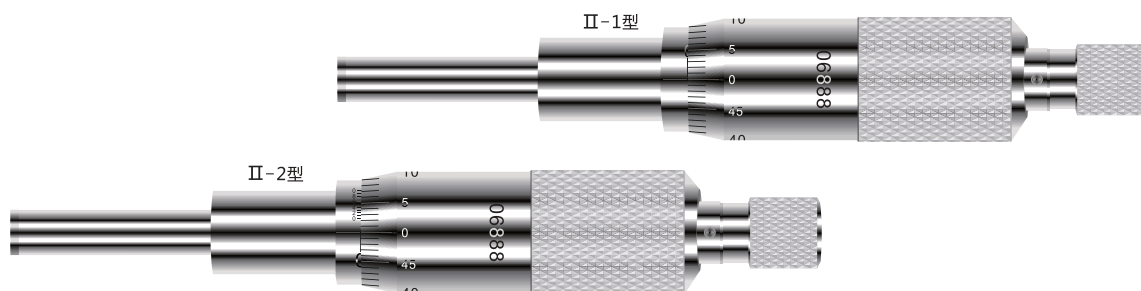
### 主要技术参数及尺寸

Main technical parameters and dimensions

带测力装置

Without force measuring device

产品代码 Product code	测量范围 mm Measuring range	分度值 mm Division value	精度 mm Accuracy	测头型式 Measuring head type	库存 Inventory
1011004093	0-25	0.01	0.003	平面 Plane	订产 Reserve production
1011004094	0-25	0.001	0.002	平面 Plane	订产 Reserve production



### 主要技术参数及尺寸

Main technical parameters and dimensions

带测力装置

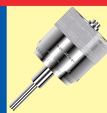
Without force measuring device

产品代码 Product code	测量范围 mm Measuring range	分度值 mm Division value	精度 mm Accuracy	测头型式 Measuring head type	库存 Inventory
非标	0-25	0.01	0.003	平面 Plane	订产 Reserve production
非标	0-25	0.001	0.002	平面 Plane	订产 Reserve production

B 千分尺 B. Standard caliper

B24





## 测微头\*0~25mm

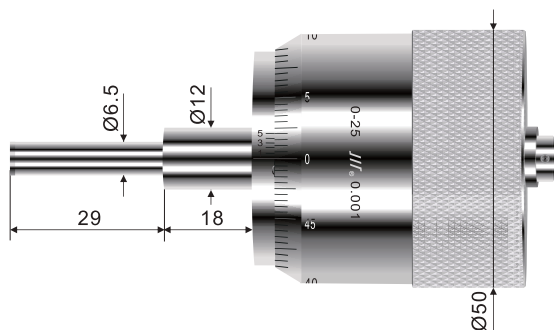
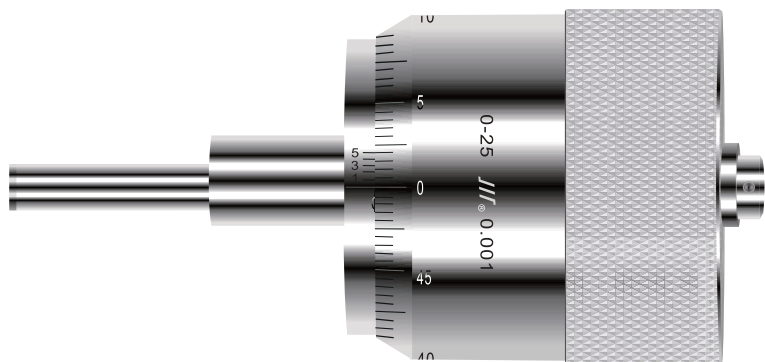
Micrometer Heads\*0~25 mm

执行标准: JB/T10033-2018

Executive standard: JB/T1 0033-2018

1. 用途: 适用于组合各种精密仪器、设备的微调与测量。  
2. 硬质合金测量面(可选优质淬火钢球头测量面)。
1. Purpose: suitable for fine tuning and measurement of various precision instruments and equipment.  
2. Hard alloy measuring surface (high-quality hardened steel spherical measuring surface is available).

B 千分尺  
B. Standard caliper



### 主要技术参数及尺寸

Main technical parameters and dimensions

产品代码 Product code	测量范围 mm Measuring range	分度值 mm Division value	精度 mm Accuracy	测头型式 Measuring head type	库存 Inventory
1011004092	0-25	0.001	0.002	平面 Plane	订产 Reserve production

B25



## C.量表目录

C. Catalogue of scales

指示表	
Dial Gauges	
百分表-----	C01
Dial Indicators (0.01 mm)	
小型百分表-----	C02
Small Dial Indicators (0.01 mm)	
防震百分表-----	C02
Shockproof Dial Indicators (0.01 mm)	
千分表-----	C03
Dial Indicators (0.001 mm)	
端面百分表-----	C03
Butt End Dial Indicators (0.01 mm)	
杠杆表	
Lever Type Indicators	
杠杆百分表-----	C04
Lever Type Dial Indicators (0.01 mm)	
杠杆千分表-----	C04
Lever Type Dial Indicators (0.001 mm)	
比较仪	
Comparator	
百(千)分比较仪-----	C05
Dial Comparators (0.01 mm/0.001 mm) comparator	
杠杆齿轮比较仪-----	C05
Lever Type Gear Comparators	
内径量表	
Dial Bore Gauges	
内径百分表(整体护桥)-----	C06
Dial Bore Gauges (0.01 mm) (overall protector)	
内径千分表(整体护桥)-----	C07
Dial Bore Gauges (0.001 mm) (overall protector)	
内径百分表(猫眼护桥)-----	C08
Dial Bore Gauges (0.01 mm) (cat eye type protector)	
内径百(千)分表(涨簧式)-----	C08
Dial Bore Gauges (0.01 mm/0.001 mm) (spring rise type)	
专用指示表	
Special Dial Gauges	
硬度计专用表-----	C09
Special Dial Gauges for Durometer C09	
橡胶硬度计专用表-----	C09
Special Dial Gauges for Rubber Durometer C09	
深度百分表-----	C10
Depth Dial Indicators C10	
厚度表-----	C10
Dial Thickness Gauges C10	
弯杆内径百分表-----	C11
Curved Rod Dial Bore Gauges C11	
卧式内径百分表-----	C11
Horizontal Dial Bore Gauges (0.01 mm)	
镗瓦机专用量表-----	C12
Special Indicator for Boring Machine C12	
带表内、外卡规-----	C13
Dial Internal and External Caliper Gauges	
数显指示表	
Digital Dial Gauges	
数显百分表-----	C14
Digital Dial Indicators (0.01 mm)	
数显千分表-----	C15
Digital Dial Indicators (0.001 mm)	
数显千分表(光栅式)-----	C16
Digital Dial Indicators (0.001 mm) (grating)	
数显内径百分表-----	C17
Digital Dial Bore Gauges (0.01 mm)	
数显内径千分表-----	C18
Digital Dial Bore Gauges (0.001 mm)	
数显深度表-----	C19
Digital Depth Gauges	
数显测厚表-----	C20
Digital Thickness Gauges	

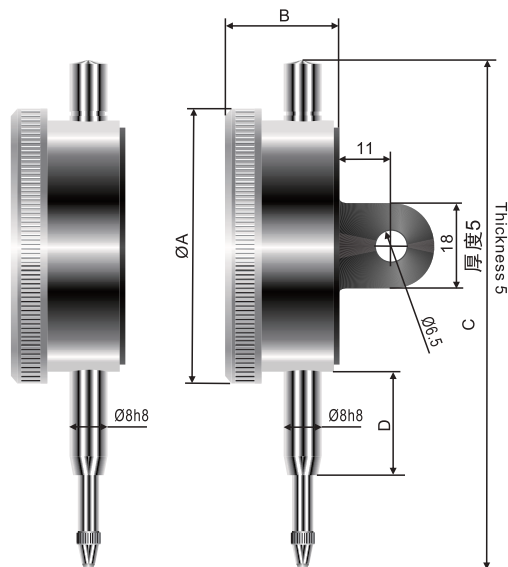
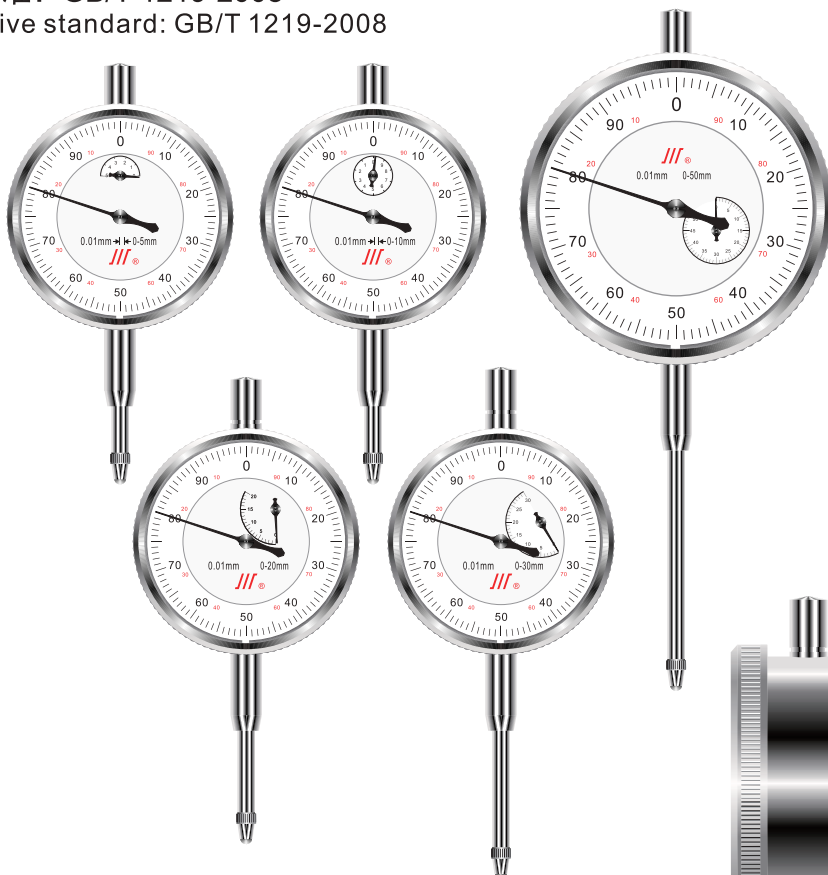


## 百分表\*0~50mm

Dial Indicators (0.01 mm)\*0~50 mm

执行标准: GB/T 1219-2008

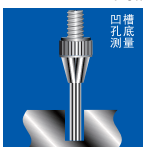
Executive standard: GB/T 1219-2008



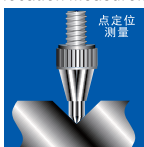
Plane measurement



Point location measurement



Point position measurement



Convex measurement



Groove hole-bottom measurement

Groove diameter measurement

### 主要技术参数及尺寸

Main technical parameters and dimensions

产品代码 Product code	测量范围 Measuring range mm	分度值 Division value mm	级别 Grade	精度 $\mu\text{m}$ Precision	回程精度 $\mu\text{m}$ Return stroke precision	测力(N) Measured Force N	一圈行程 One-circle stroke	表盘读数 Dial reading	基本尺寸(mm) Basic dimensions				后盖形式 Rear cover form	库存 Inventory
									$\varnothing A$	B	C	D		
1014010043	0-5	0.01	标准级 Standard level	16	3	0.4-1.5	1mm	0-100	58	24.5	110	23	平后盖 Flat back cover	常备 Running stock
1014010443	0-5	0.01	标准级 Standard level	16	3	0.4-1.5	1mm	0-100	58	24.5	110	23	耳后盖 Flat back cover	常备 Running stock
1014010042	0-10	0.01	标准级 Standard level	20	3	0.4-1.5	1mm	0-100	58	24.5	110	23	平后盖 Flat back cover	常备 Running stock
1014010442	0-10	0.01	标准级 Standard level	20	3	0.4-1.5	1mm	0-100	58	24.5	110	23	耳后盖 Flat back cover	常备 Running stock
1014010048	0-20	0.01	标准级 Standard level	25	5	2	1mm	0-100	58	24.5	120	23	平后盖 Flat back cover	常备 Running stock
1014010448	0-20	0.01	标准级 Standard level	25	5	2	1mm	0-100	58	24.5	120	23	耳后盖 Flat back cover	常备 Running stock
1014010049	0-30	0.01	标准级 Standard level	35	7	2.2	1mm	0-100	58	28	142	23	平后盖 Flat back cover	常备 Running stock
1014010449	0-30	0.01	标准级 Standard level	35	7	2.2	1mm	0-100	58	28	142	23	耳后盖 Flat back cover	常备 Running stock
1014010150	0-50	0.01	标准级 Standard level	40	8	2.5	1mm	0-100	80	28	182	28	耳后盖 Flat back cover	常备 Running stock

注: 提供(0级) 0-5、0-10百分表。

Note: (Level 0) 0-5, 0-10 dial indicators are provided.

百分表 C. Scale

C01





## 小型百分表\*0~5mm

Small Dial Indicators (0.01 mm)\*0~5 mm

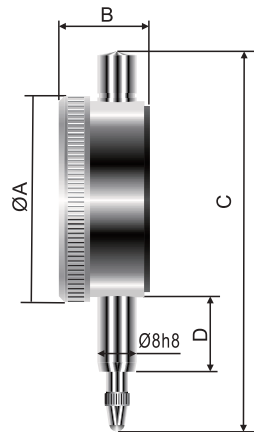
执行标准: GB/T 1219-2008

Executive standard: GB/T 1219-2008

1. 小表盘, 适用于狭小空间测量。
2. 带宝石轴承。

1. Small dial plate, suitable for measuring narrow spaces.
2. With jewel bearings

Plane measurement



### 主要技术参数及尺寸

Main technical parameters and dimensions

产品代码 Product code	测量范围 mm Measuring range	分度值 mm Division value	级别 Grade	精度 µm Precision	回程精度 µm Return stroke precision	测力 (N) Measured Force N	一圈行程 One-circle stroke	表盘读数 Dial reading	基本尺寸 (mm) Basic dimensions				后盖形式 Rear cover form	库存 Inventory
									ØA	B	C	D		
1014010018	0-3	0.01	标准级 Standard level	14	3	0.4-1.5	0.5mm	0-50	42	20	78	15.8	平后盖 Flat back cover	常备 Running stock
1014010818	0-5	0.01	标准级 Standard level	16	3	0.4-1.5	0.5mm	0-50	42	20	80	15.8	平后盖 Flat back cover	常备 Running stock

注: 提供(0级)0~3小型百分表。

Note: (Level 0) 0-3 small dial indicators are provided.

## 防震百分表\*5~10mm

Shockproof Dial Indicators\*5-10mm

执行标准: GB/T 1219-2008

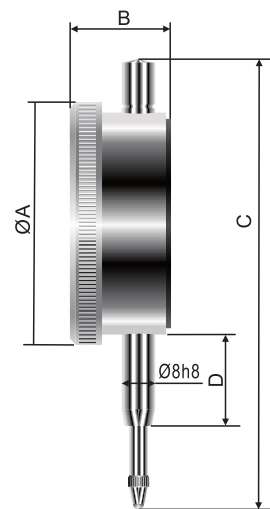
Executive standard: GB/T 1219-2008

1. 防震。
2. 带宝石轴承。

1. Shockproof

2. With jewel bearings

Plane measurement



### 主要技术参数及尺寸

Main technical parameters and dimensions

产品代码 Product code	测量范围 mm Measuring range	分度值 mm Division value	级别 Grade	精度 µm Precision	回程精度 µm Return stroke precision	测力 (N) Measured Force N	一圈行程 One-circle stroke	表盘读数 Dial reading	基本尺寸 (mm) Basic dimensions				后盖形式 Rear cover form	库存 Inventory
									ØA	B	C	D		
1014010067	0-5	0.01	标准级 Standard level	16	3	0.4-1.5	1mm	0-100	58	24	110	23	平后盖 Flat back cover	常备 Running stock
1014010066	0-10	0.01	标准级 Standard level	20	3	0.4-1.5	1mm	0-100	58	24	110	23	平后盖 Flat back cover	常备 Running stock

注: 提供0级防震百分表。

Note: Provided Level 0 shockproof dial indicator.

C02



## 千分表\*0~5mm

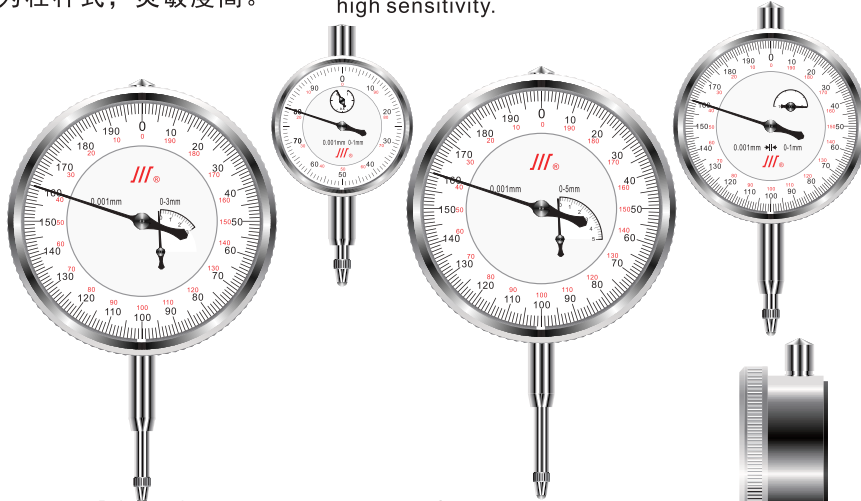
Dial Indicators (0.001 mm)\*0~5 mm

执行标准: GB/T 1219-2008

Executive standard: GB/T 1219-2008

1. 带宝石轴承。
2. 0-1千分表为杠杆式, 灵敏度高。

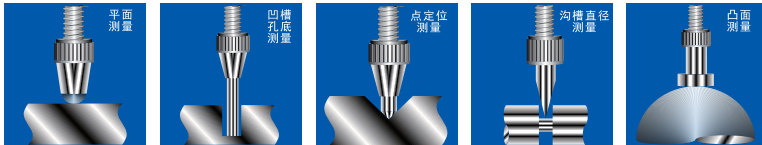
1. With jewel bearings
2. 0-1 Dial indicator (0.001 mm) is lever-type with high sensitivity.



Plane measurement

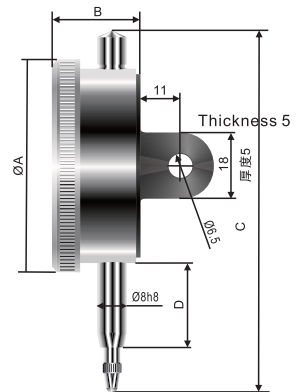
Point location measurement

Convex measurement



Groove hole-bottom measurement

Groove diameter measurement



### 主要技术参数及尺寸

Main technical parameters and dimensions

产品代码 Product code	测量范围 mm Measuring range	分度值 mm Division value	级别 Grade	精度 µm Precision	回程精度 µm Return stroke precision	测力(N) Measured Force N	一圈行程 One-circle stroke	表盘读数 Dial reading	基本尺寸(mm) Basic dimensions				后盖形式 Rear cover form	库存 Inventory
									ØA	B	C	D		
1014020052	0-1	0.001	标准级 Standard level	5	2	0.4-2	0.1mm	0-100	42	23	78	15.8	平后盖 Flat back cover	常备 Running stock
1014010029	0-1	0.001	标准级 Standard level	5	2	0.4-2	0.2mm	0-200	58	24.5	99	23	平后盖 Flat back cover	常备 Running stock
1014010429	0-1	0.001	标准级 Standard level	5	2	0.4-2	0.2mm	0-200	58	24.5	99	23	耳后盖 Flat back cover	常备 Running stock
1014020035	0-3	0.001	标准级 Standard level	8	2.5	0.4-2	0.2mm	0-200	80	24.5	113	34	平后盖 Flat back cover	常备 Running stock
1014020034	0-5	0.001	标准级 Standard level	9	2.5	0.4-2	0.2mm	0-200	80	24.5	113	34	平后盖 Flat back cover	常备 Running stock

注:提供0-1, 0级千分表。 Note: 0-1 and 0 level dial indicator (0.001 mm)\*are available.

## 端面百分表\*0~3mm

Butt End Dial Indicators (0.01 mm)\*0~3 mm

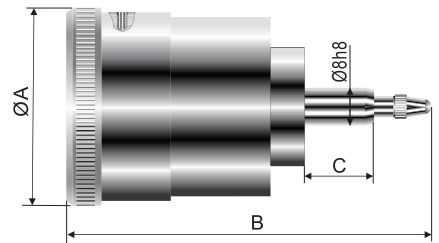
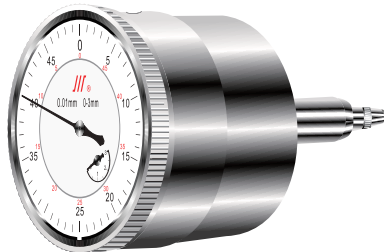
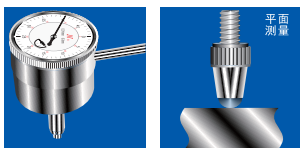
执行标准: 企标

Executive standard: Enterprise Standard

适用于水平安装或普通表不易读数的狭小空间。

It is suitable for horizontal installation or installation in small space where ordinary dial indicator is hard to read.

Plane measurement



### 主要技术参数及尺寸

Main technical parameters and dimensions

产品代码 Product code	测量范围 mm Measuring range	分度值 mm Division value	级别 Grade	相邻误差 µm Adjacent error µm	精度 µm Precision	回程精度 µm Return stroke precision	一圈行程 One-circle stroke	表盘读数 Dial reading	基本尺寸(mm) Basic dimensions			库存 Inventory
									ØA	B	C	
1014019008	0-3	0.01	标准级 Standard level	6	15	6	0.5mm	0-50	42	72.5	17.6	半备 Half stock



## 杠杆百分表\* $\pm 0.4 \sim 0.5\text{mm}$

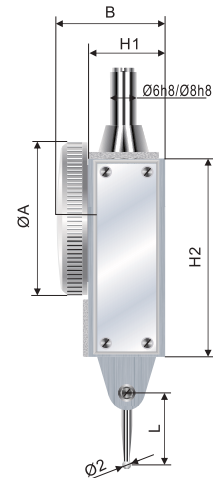
Level Type Dial Indicators \* $\pm 0.4 \sim 0.5\text{mm}$

执行标准: GB/T 8123-2007

Executive standard: GB/T 8123-2007

1. 适用测量狭窄和凹进位置。
2. 带宝石轴承。
3. 双向测量。

1. Suitable for measuring narrow and concave positions
2. With jewel bearings
3. Bidirectional measurement



C 量表  
C. Scale

Notch measurement Groove base measurement



### 主要技术参数及尺寸

Main technical parameters and dimensions

产品代码 Product code	测量范围 Measuring range mm	分度值 Division value mm	单向量程 精度 $\mu\text{m}$ One-way range precision	回程精度 $\mu\text{m}$ Return stroke precision	测力 (N) Measured Force N	表盘 读数 Dial reading	基本尺寸 (mm) Basic dimensions						标配连接杆 Standard connecting rod	库存 Inventory
							$\phi A$	B	C	L	H1	H2		
1014019010	$\pm 0.4$	0.01	10	3	0.5	0-40-0	34.5	25	90	16.4	15.8	45	$\phi 6/\phi 8$	常备 Running stock
1014019011	$\pm 0.5$	0.01	10	3	0.5	0-50-0	34.5	25	90	27	15.8	45	$\phi 6/\phi 8$	半备 Half stock

## 杠杆千分表\* $\pm 0.1\text{mm}$

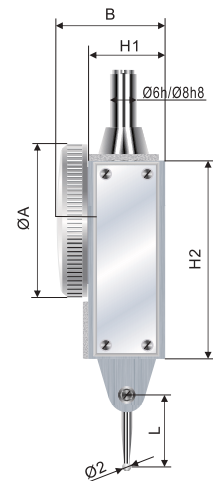
Level Test Indicators \* $\pm 0.1\text{mm}$

执行标准: GB/T 8123-2007

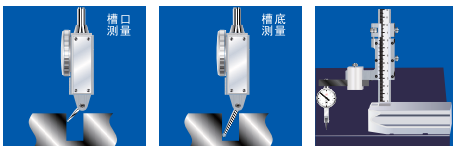
Executive standard: GB/T 8123-2007

1. 适用测量狭窄和凹进位置。
2. 带宝石轴承。
3. 双向测量。

1. Suitable for measuring narrow and concave positions
2. With jewel bearings
3. Bidirectional measurement



Notch measurement Groove base measurement



### 主要技术参数及尺寸

Main technical parameters and dimensions

产品代码 Product code	测量范围 Measuring range mm	分度值 Division value mm	单向量程 精度 $\mu\text{m}$ One-way range precision	回程精度 $\mu\text{m}$ Return stroke precision	测力 (N) Measured Force N	表盘 读数 Dial reading	基本尺寸 (mm) Basic dimensions						标配连接杆 Standard connecting rod	库存 Inventory
							$\phi A$	B	C	L	H1	H2		
1014020050	$\pm 0.1$	0.002	4	2	0.5	0-100-0	34.5	25	90	16.4	15.8	45	$\phi 6/\phi 8$	常备 Running stock

C04



## 百（千）分比较仪\* $\pm 0.05\text{mm} \sim \pm 0.4\text{mm}$

Dial Indicator comparators (0.01 mm/0.001 mm)\*  $\pm 0.05\text{ mm} \sim \pm 0.4\text{ mm}$

执行标准：企标

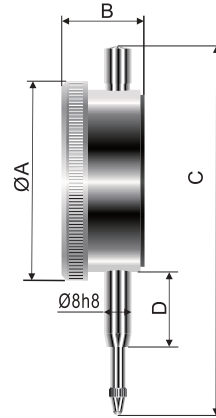
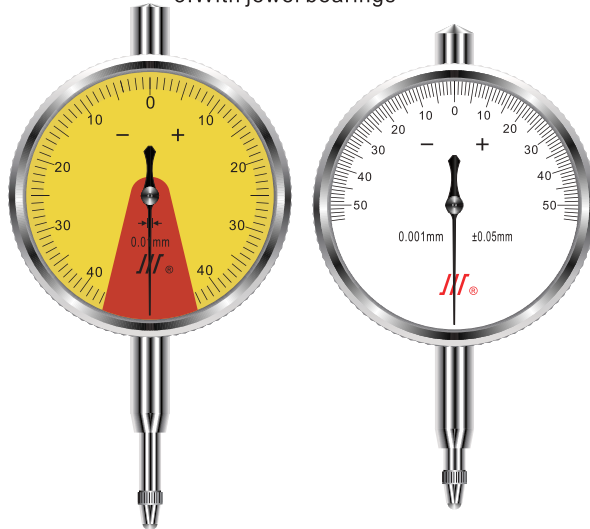
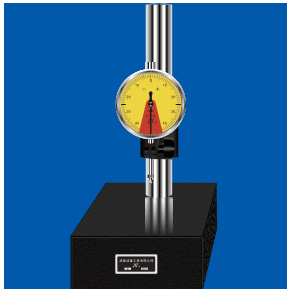
Executive standard: Enterprise Standard

1. 百分比较仪防震。
2. 千分比较仪采用杠杆式结构，灵敏度高。
3. 带宝石轴承。

1. Shockproof dial indicator

2. Shockproof dial indicator comparator (0.001 mm) is lever-type with high sensitivity.

3. With jewel bearings



主要技术参数及尺寸

Main technical parameters and dimensions

产品代码 Product code	测量范围 mm Measuring range	分度值 mm Division value	精度 $\mu\text{m}$ Precision	测力 (N) Measured Force	表盘 读数 Dial reading	基本尺寸 (mm) Basic dimensions				库存 Inventory
						$\phi A$	$\phi B$	C	D	
1014039057	$\pm 0.05$	0.001	1.2	0.4-2	50-0-50	58	24.5	99	23	常备 Running stock
1014039047	$\pm 0.4$	0.01	10	0.4-1.5	40-0-40	58	24.5	110	23	常备 Running stock

## 杠杆齿轮比较仪\* $\pm 0.1\text{mm}$

Lever Type Gear Comparators\*  $\pm 0.1\text{ mm}$

执行标准：GB/T 6320-2008

Executive standard: GB/T 6320-2008

1 大表盘易读数

2 双杠杆式，灵敏度高

3 宝石测头

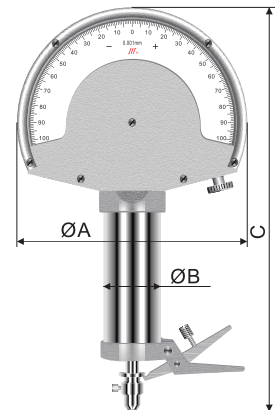
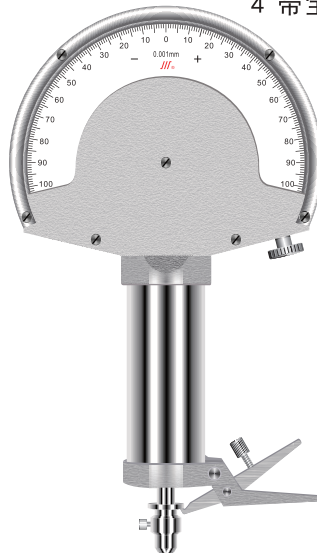
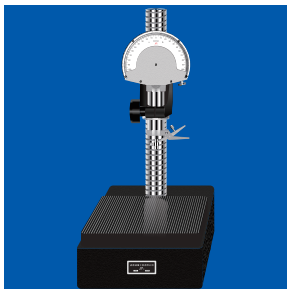
4 带宝石轴承

1. Large dial plate is easy to read

2. Bi-lever type with high sensitivity

3. Jewel measuring head

4. Jewel bearing



主要技术参数及尺寸

Main technical parameters and dimensions

产品代码 Product code	测量范围 mm Measuring range	分度值 mm Division value	精度 $\mu\text{m}$ Precision	回程精度 $\mu\text{m}$ Return stroke precision	测力 (N) Measured Force	表盘 读数 Dial reading	基本尺寸 (mm) Basic dimensions			库存 Inventory
							$\phi A$	$\phi B$	C	
1014039006	$\pm 0.1$	0.001	1.2	0.5	2	100-0-100	112	28	195	常备 Running stock

C05



# 内径百分表（整体护桥）\*6~450mm

Dial Bore Gauges (0.01mm) (overall protector)\*6~450mm

执行标准: GB/T 8122-2004

Executive standard: GB/T 8122-2004

1. 护桥辅助定心
2. 配成组可换测头
3. 可订做加长杆内径用于深孔测量

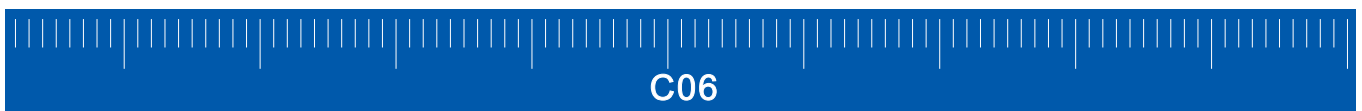
1. The protector helps centering.
2. A group of changeable measuring heads are provided.
3. Lengthening rod inner diameter can be customized for deep hole measurement



## 主要技术参数及尺寸

Main technical parameters and dimensions

产品代码 Product code	测量范围 mm Measuring range	分度值 mm Division value	允许误差 μm Allowable Error	表头 Head		基本尺寸(mm) Basic dimensions				护桥形式 Protector form	库存 Inventory
				表头代码 Head code	百分表 Dial indicator	∅A	H1	H2	H3		
1014170083	6-10	0.01	12	1014030011	0-3	42	5	35	112	无护桥 Without protector	常备 Running stock
1014170085	10-18	0.01	12			整体护桥 Overall protector	常备 Running stock				
1014170054	18-35	0.01	15	1014030025	0-5	58	6.5	130	202	整体护桥 Overall protector	常备 Running stock
1014170056	35-50	0.01	15			整体护桥 Overall protector	常备 Running stock				
1014170058	50-100	0.01	18			整体护桥 Overall protector	常备 Running stock				
1014170035	50-160	0.01	18			整体护桥 Overall protector	常备 Running stock				
1014170060	100-250	0.01	18			整体护桥 Overall protector	常备 Running stock				
1014170064	250-450	0.01	18			整体护桥 Overall protector	常备 Running stock				





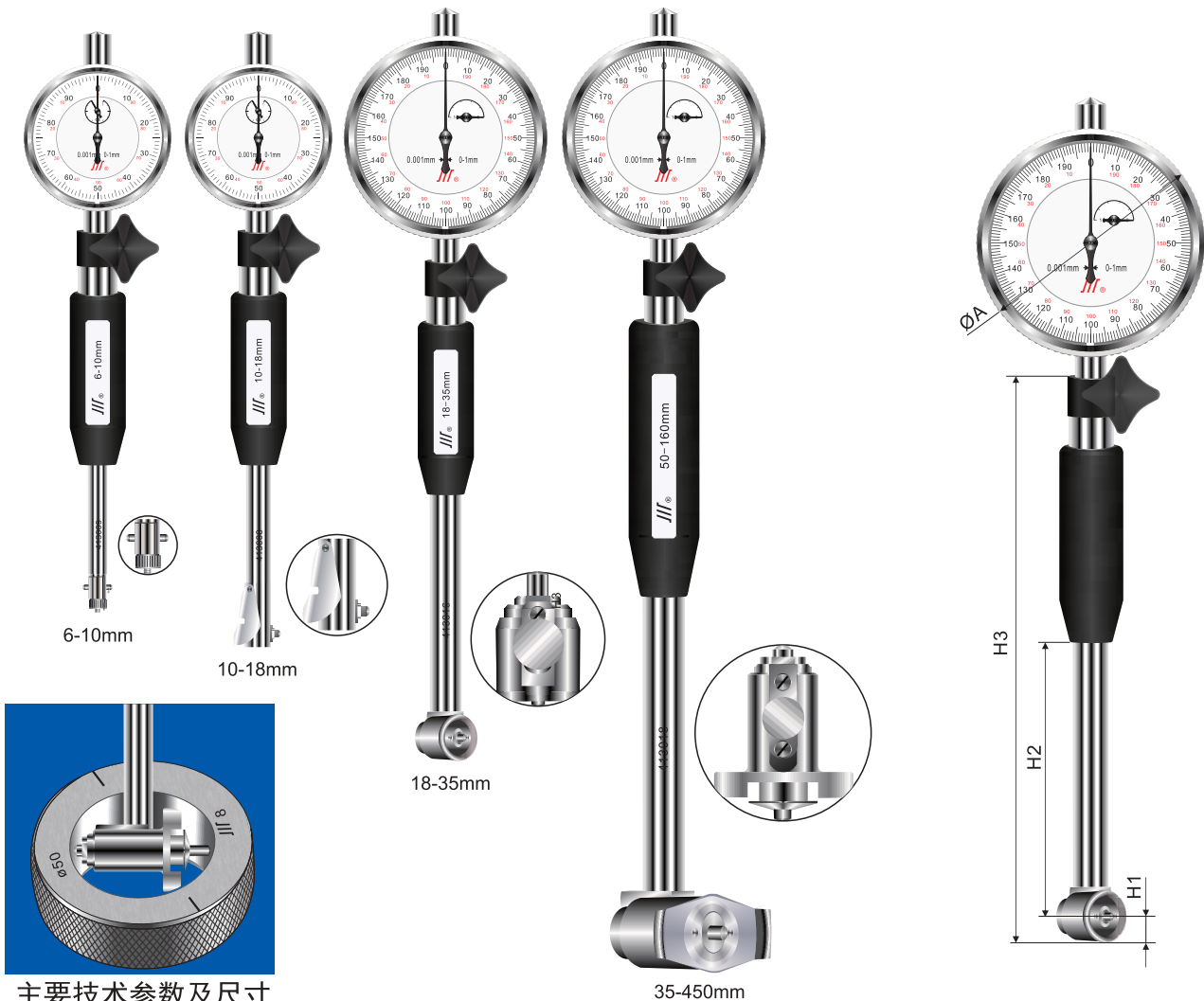
## 内径千分表（整体护桥）\*6~450mm

Dial Bore Gauges (0.001 mm) (overall protector)

执行标准：GB/T 8122-2004  
Executive standard: GB/T 8122-2004

- 护桥辅助定心
  - 配成组可换测头
  - 可订做加长杆内径用于深孔测量
- The protector helps centering.
  - A group of changeable measuring heads are provided.
  - Lengthening rod inner diameter can be customized for deep hole measurement

量表 C. Scale



### 主要技术参数及尺寸

Main technical parameters and dimensions

产品代码 Product code	测量范围 mm Measuring range	分度值 mm Division value	允许误差 µm Permissible error	表头 Head		基本尺寸 (mm) Basic dimensions				护桥形式 Protector form	库存 Inventory
				表头代码 Head code	千分表 indicator (0.001 mm)	ØA	H1	H2	H3		
1014175083	6-10	0.001	5	1014030042	0-1	42	5	35	112	无护桥 Without protector	常备 Running stock
1014175085	10-18	0.001	5			42	4	50	120	整体护桥 Overall protector	常备 Running stock
1014175054	18-35	0.001	6	1014030029	0-1	58	6.5	130	202	整体护桥 Overall protector	常备 Running stock
1014175056	35-50	0.001	6			58	9	162	284	整体护桥 Overall protector	常备 Running stock
1014175058	50-100	0.001	7			58	11.5	205	317	整体护桥 Overall protector	常备 Running stock
1014175035	50-160	0.001	7			58	11.5	205	317	整体护桥 Overall protector	常备 Running stock
1014175060	100-250	0.001	7			58	13	314	445	整体护桥 Overall protector	常备 Running stock
1014175064	250-450	0.001	7			58	14	500	702	整体护桥 Overall protector	常备 Running stock

C07



## 内径百分表（猫眼式护桥）\*35~160mm

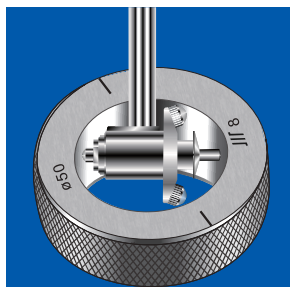
Dial Bore Gauges (0.01 mm) (cat eye type protector) \*35-160mm

执行标准: GB/T 8122-2004

Executive standard: GB/T 8122-2004

1. 猫眼式护桥辅助定心
2. 可换合金钢球，延长使用寿命，便于维修
3. 配成组可换测头
4. 可订做加长杆内径表用于深孔测量

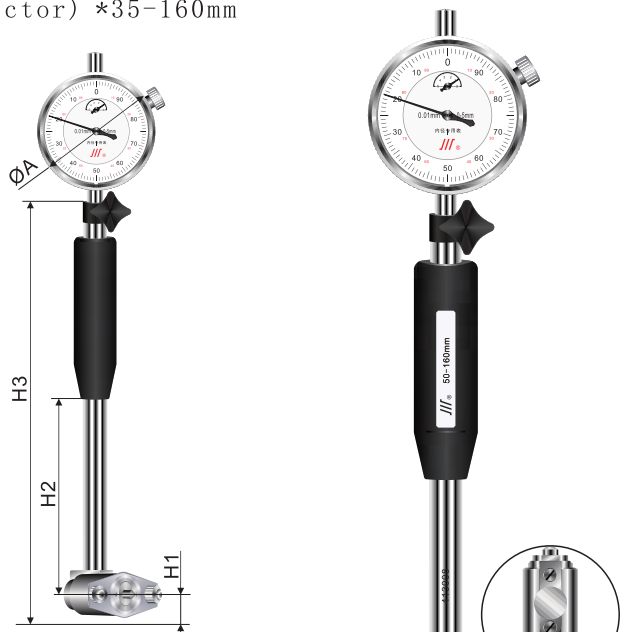
1. Cat eye type protector helps centering
2. Alloy steel balls can be replaced to extend service life and facilitate maintenance
3. A group of changeable measuring heads are provided.
4. Extension rod bore dial indicator can be customized for deep hole measurement



### 主要技术参数及尺寸

Main technical parameters and dimensions

产品代码 Product code	测量范围 mm Measuring range	分度值 mm Division value	允许误差 $\mu\text{m}$ Allowable Error $\mu\text{m}$	表头 Head		基本尺寸 (mm) Basic dimensions				护桥形式 Protector form	库存 Inventory
				表头代码 Head code	百分表 Dial indicator	$\phi A$	H1	H2	H3		
101417005688	35-50	0.01	15	1014030025	0-5	58	9	162	284	猫眼式 Cat eye type	常备 Running stock
101417003588	50-160	0.01	18			58	10	204	315	猫眼式 Cat eye type	常备 Running stock



C 量表  
C. Scale

## 内径百（千）分表（涨簧式）\*6~18mm

Dial Bore Gauges (0.01mm / 0.001mm) (spring rise type) \*6~18mm

执行标准: JB/T 8791-2012

Executive standard: JB/T 8791-2012

1. 18以下小孔测量
2. 涨簧测头自动定心
3. 配成组测头

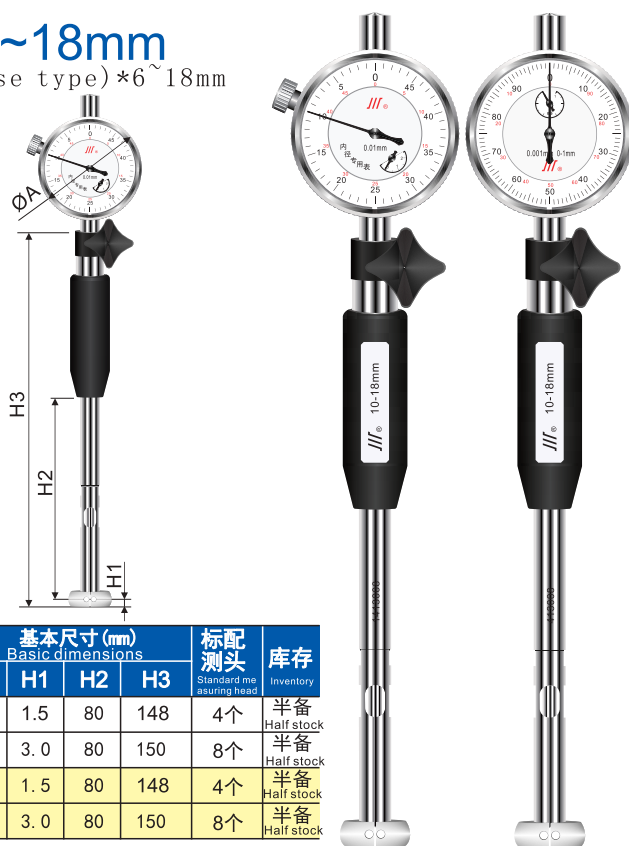
1. Measurement of small holes below 18
2. Automatic centering of spring measuring head
3. The measuring heads are in a group.



### 主要技术参数及尺寸

Main technical parameters and dimensions

产品代码 Product code	测量范围 mm Measuring range	分度值 mm Division value	允许误差 $\mu\text{m}$ Allowable Error $\mu\text{m}$	表头 Head		基本尺寸 (mm) Basic dimensions				标配测头 Standard measuring head	库存 Inventory
				表头代码 Head code	量表 Scale	$\phi A$	H1	H2	H3		
1014170011	6-10	0.01	12	1014030011	0-3	42	1.5	80	148	4个	半备 Half stock
1014170014	10-18	0.01	12			42	3.0	80	150	8个	半备 Half stock
1014175011	6-10	0.001	6	1014030042	0-1	42	1.5	80	148	4个	半备 Half stock
1014175014	10-18	0.001	6			42	3.0	80	150	8个	半备 Half stock



C08

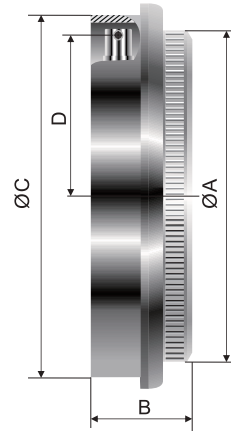
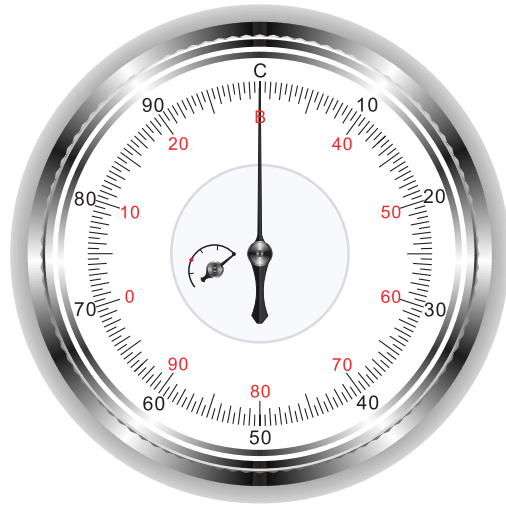


## 硬度计专用表

Special Dial Gauges for Durometer

执行标准：企标

Executive standard: Enterprise Standard



### 主要技术参数及尺寸

Main technical parameters and dimensions

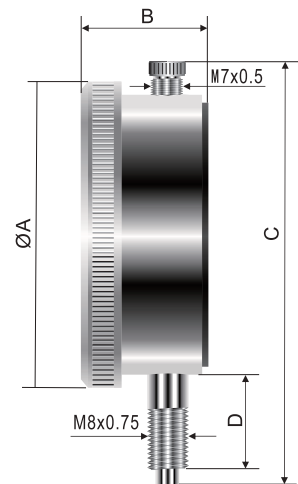
产品代码 Product code	测量范围 Measuring range mm	分度值 Division value mm	全程精度 Overall precision $\mu\text{m}$	一圈行程 One-circle Stroke mm	基本尺寸 (mm) Basic dimensions				库存 Inventory 常备 Running stock
					$\phi A$	B	$\phi C$	D	
1014019242	0-3	0.005	10	1	100	28	108	45	

## 橡胶硬度计专用表

Special Dial Gauges for Rubber Durometer

执行标准：企标

Executive standard: Enterprise Standard



### 主要技术参数及尺寸

Main technical parameters and dimensions

产品代码 Product code	测量范围 Measuring range mm	分度值 Division value mm	精度 Precision $\mu\text{m}$	一圈行程 One-circle Stroke mm	表盘 读数 Dial reading	基本尺寸 (mm) Basic dimensions				库存 Inventory 常备 Running stock
						$\phi A$	B	C	D	
1014019041	0-2.5	0.025	14	2.5	0-100	58	24.5	84.5	21	



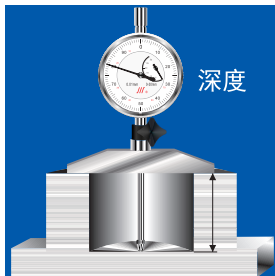
Depth Dial Indicators  
深度百分表

执行标准: JB/T6081-2007

Executive standard: JB/T6081-2007

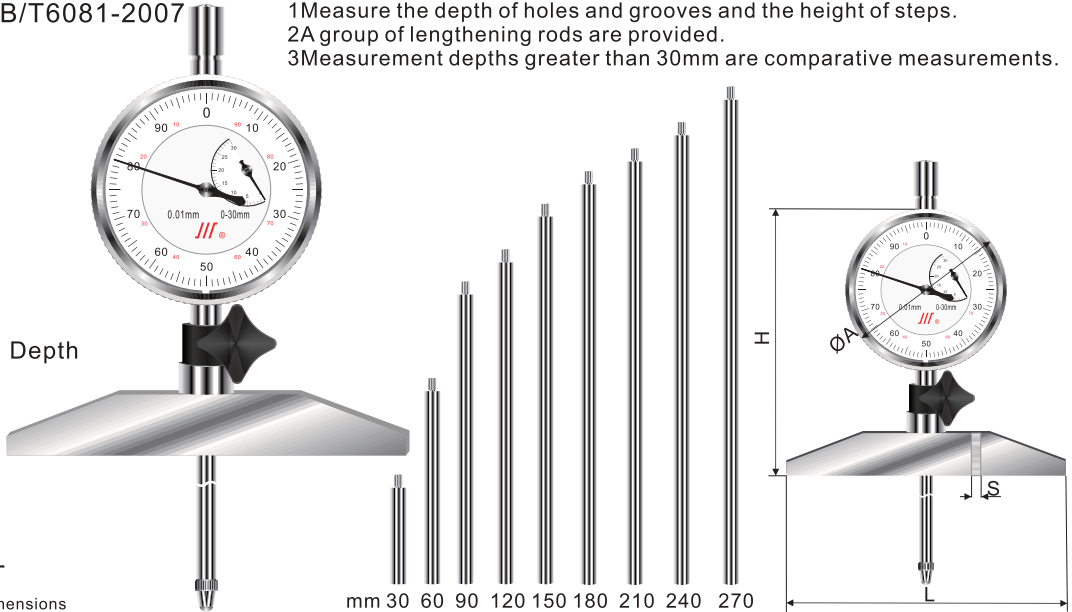
- 1 测量孔和槽的深度及台阶高度。
- 2 配成组接长杆。
- 3 测量深度大于30mm时为比较测量。

- 1 Measure the depth of holes and grooves and the height of steps.
- 2 A group of lengthening rods are provided.
- 3 Measurement depths greater than 30mm are comparative measurements.



深度

Depth



主要技术参数及尺寸

Main technical parameters and dimensions

产品代码 Product code	测量范围 mm Measuring range	分度值 mm Division value	精度 $\mu\text{m}$ Precision	行程 mm Stroke	表盘 读数 Dial reading	基本尺寸 (mm) Basic dimensions				接长杆 (9件) mm Lengthening rod (9 pieces)	库存 Inventory
						$\phi A$	L	H	S		
101401004901	0-300	0.01	35	30	0-100	58	100	112	18	30,60,90,120,150,180,210,240,270	半备 Half stock

厚度表

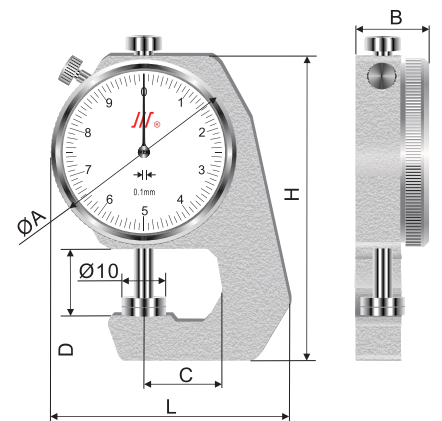
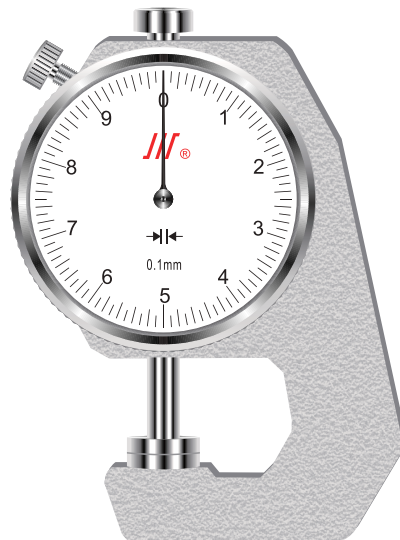
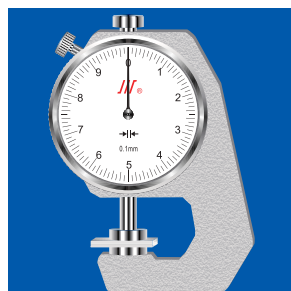
Dial Thickness Gauges

执行标准: GB/T 22520-2008

Executive standard: GB/T 22520-2008

用途: 测量皮革类材料的厚度。

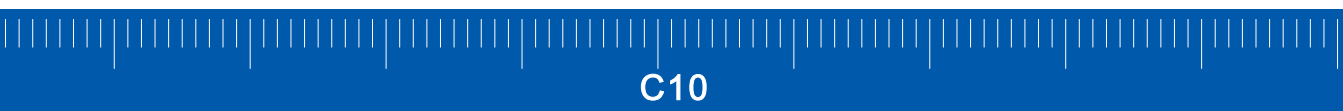
Purpose: measure the thickness of leather materials.



主要技术参数及尺寸

Main technical parameters and dimensions

产品代码 Product code	测量范围 mm Measuring range	分度值 mm Division value	精度 $\mu\text{m}$ Precision	基本尺寸 (mm) Basic dimensions						库存 Inventory
				$\phi A$	B	C	D	H	L	
1014019020	0-10	0.1	40	42	15.5	17.5	15	71	51	常备 Running stock



C10



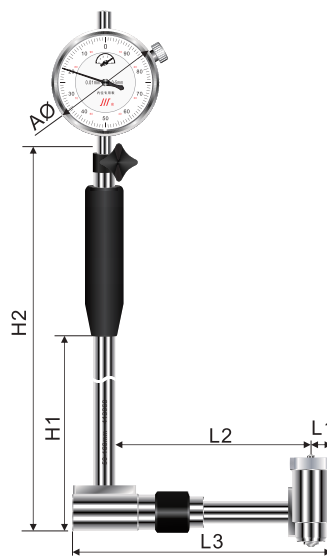
### 弯杆内径百分表

Curved Rod Dial Bore Gauges

执行标准：企标

Executive standard: Enterprise Standard

适用于箱体内槽测量  
It is applicable to measure boxes and inner grooves.



#### 主要技术参数及尺寸

Main technical parameters and dimensions

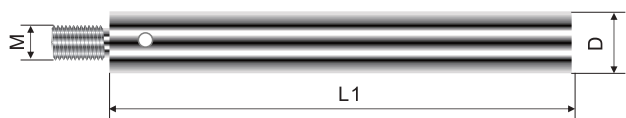
产品代码 Product code	测量范围 mm Measuring range	分度值 mm Division value	允许误差 $\mu\text{m}$ Permissible error	基本尺寸 (mm) Basic dimensions						库存 Inventory 订产 Reserve production
				$\phi A$	H1	H2	L1	L2	L3	
101417003503	50-160	0.01	18	58	140	267	11.5	106	141	

### 卧式内径百分表500~1000mm

Horizontal Dial Bore Gauges (0.01 mm) 500-1000mm

执行标准：企标

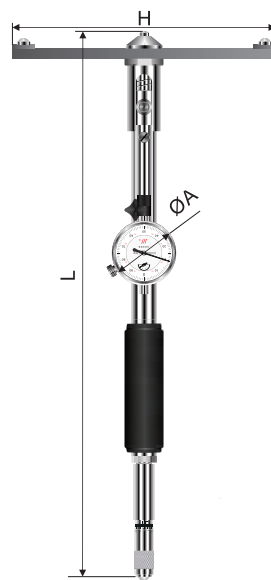
Executive standard: Enterprise Standard



#### 接长杆

Lengthening rod

测量范围 mm Measuring range	杆长L1 mm Rod Length L1	杆径D mm Rod Diameter D	螺纹 M Thread
600-700	100	24.5	M14x1
700-800	200	24.5	M14x1
800-900	300	24.5	M14x1
900-1000	400	24.5	M14x1



#### 主要技术参数及尺寸

Main technical parameters and dimensions

产品代码 Product code	测量范围 mm Measuring range	分度值 mm Division value	允许误差 $\mu\text{m}$ Permissible error	基本尺寸 (mm) Basic dimensions			库存 Inventory 订产 Reserve production
				$\phi A$	L	H	
101417008601	500-1000	0.01	18	58	500-1000	220	

0 量表 C. Scale



## 镗瓦机专用量表

Special Dial Indicators for Cylinder Boring Machine

执行标准：企标

Executive standard: Enterprise Standard

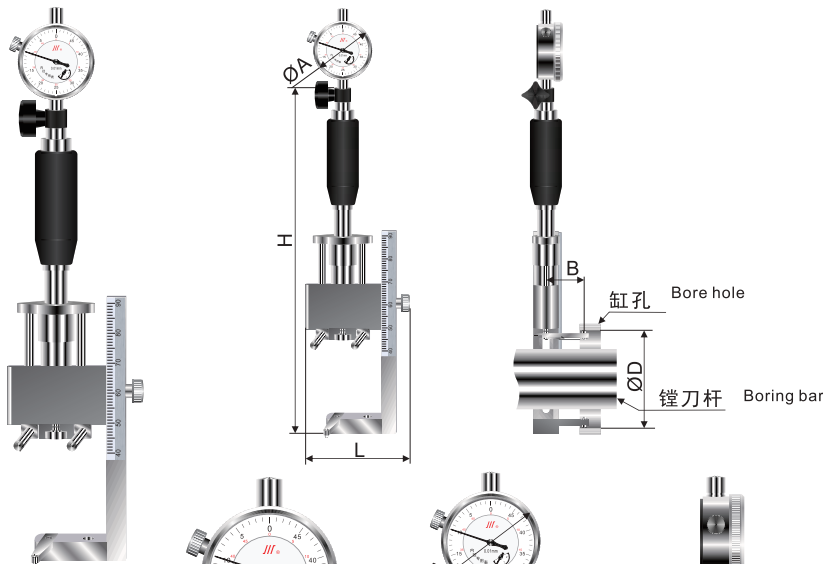
Internal diameter gauge ST-001

### 内径量表ST-001

用于不卸镗刀

状态下测量缸径。

It is used for measuring bore without removing boring cutter.

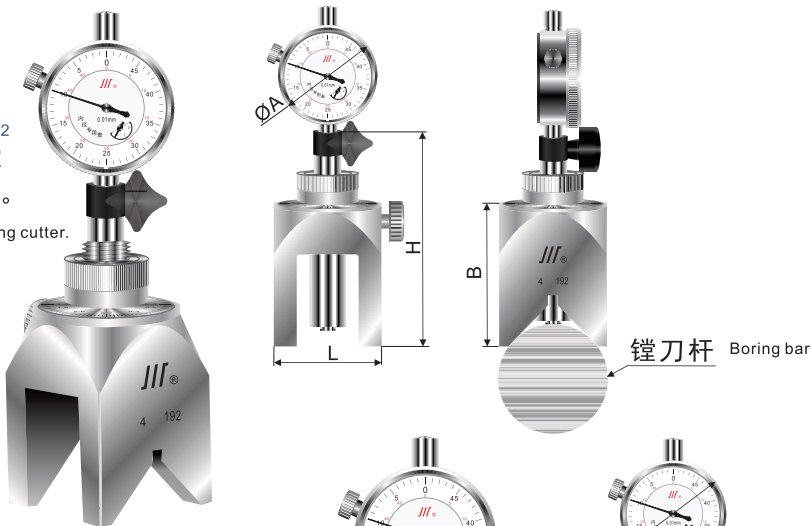


Special gauge for tool setting ST-002

### 对刀量表ST-002

用于调整镗刀高度。

It is used to adjust the height of boring cutter.

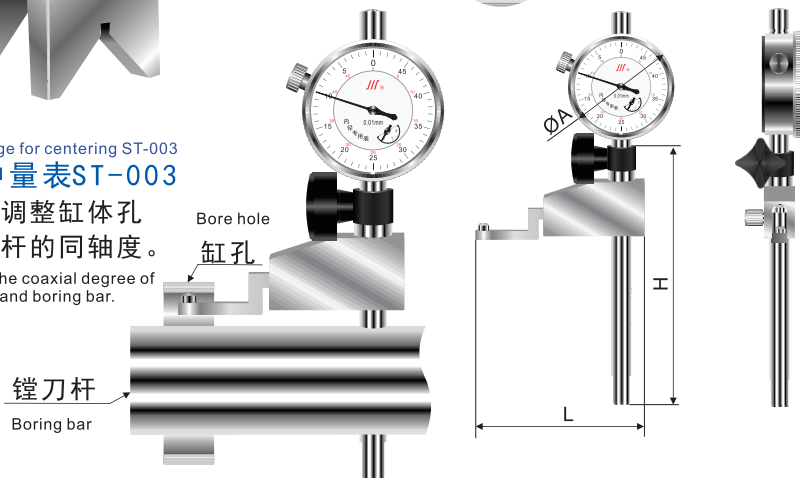


Special gage for centering ST-003

### 对中量表ST-003

用于调整缸体孔与镗杆的同轴度。

It is used to adjust the coaxial degree of cylinder body hole and boring bar.



### 主要技术参数及尺寸

Main technical parameters and dimensions

产品代码 Product code	名称 Name	测量范围 mm Measuring range	分度值 mm Division value	精度 μm Precision	基本尺寸 (mm) Basic dimensions				库存 Inventory
					ØA	B	L	H	
1014000001	内径量表ST-001 Internal diameter gauge ST-001	Φ48-66 (使用Φ32镗刀杆) Φ62-100 (使用Φ45镗刀杆) Φ48-66 (using Φ32 boring bars) Φ62-100 (using Φ45 boring bars)	0.01	30	42	28	77	250	半备 Half stock
1014000002	对刀量表ST-002 Special gauge for tool setting ST-002	Φ36-66 (使用Φ32镗刀杆) Φ50-100 (使用Φ45镗刀杆) Φ36-66 (using Φ32 boring bars) Φ50-100 (using Φ45 boring bars)	0.01	30	42	63	46	100-128	半备 Half stock
1014000003	对中量表ST-003 Special gage for centering ST-003	Φ47-75 (使用Φ32镗刀杆) Φ58-150 (使用Φ45镗刀杆) Φ47-75 (using Φ32 boring bars) Φ58-150 (using Φ45 boring bars)	0.01	30	42	-	107	111	半备 Half stock

C 量表  
C. Scale



## 带表内卡规\*15~135mm

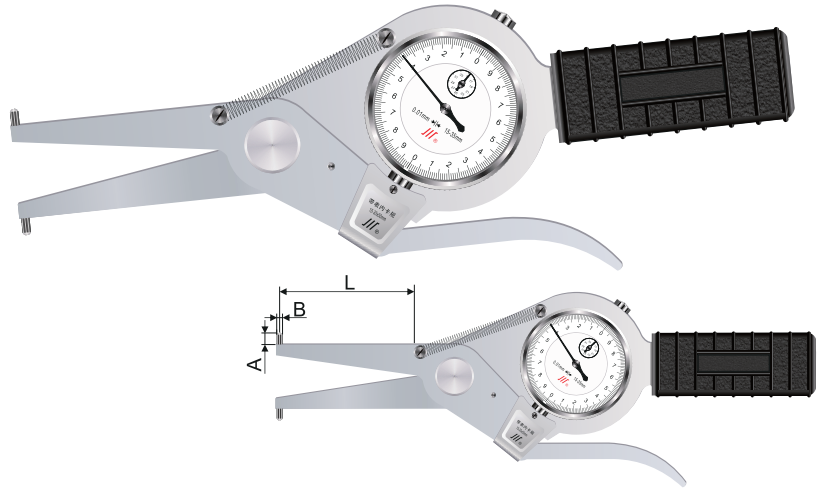
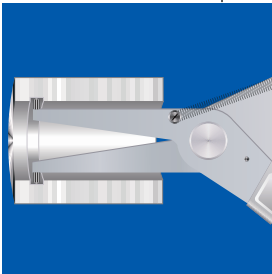
Dial Caliper Gauges \*15~135mm

执行标准: JB/T10017-2012

Executive standard: JB/T10017-2012

- 1:采用比较测量法, 配合校正环规、千分尺或量块使用。
- 2:测量工件深孔内沟槽等尺寸及其偏差。
- 3:精度要求不高的批量零件的快速测量。

1 Comparative measurement method is adopted, with the cooperation of correction ring gauge, micrometers or gauge blocks.  
2: Size and deviation of deep holes and inner grooves of workpiece are measured.  
3: Fast measurement of low precision volume parts.



### 主要技术参数及尺寸

Main technical parameters and dimensions

产品代码 Product code	测量范围 mm Measuring range	分度值 mm Division value	精度 $\mu\text{m}$ Precision	基本尺寸 (mm) Basic dimensions			库存 Inventory
				A	B	L	
1014048035	15-35	0.01	40	3	$\Phi 3$	50	半备 Half stock
1014048055	35-55	0.01	40	6	$\Phi 3$	80	半备 Half stock
1014048075	55-75	0.01	40	8	$\Phi 3$	90	半备 Half stock
1014048095	75-95	0.01	40	8	$\Phi 3$	100	半备 Half stock
1014048115	95-115	0.01	40	10	$\Phi 3.2$	150	半备 Half stock
1014048135	115-135	0.01	40	10	$\Phi 3.2$	150	半备 Half stock

## 带表外卡规\*0-100mm

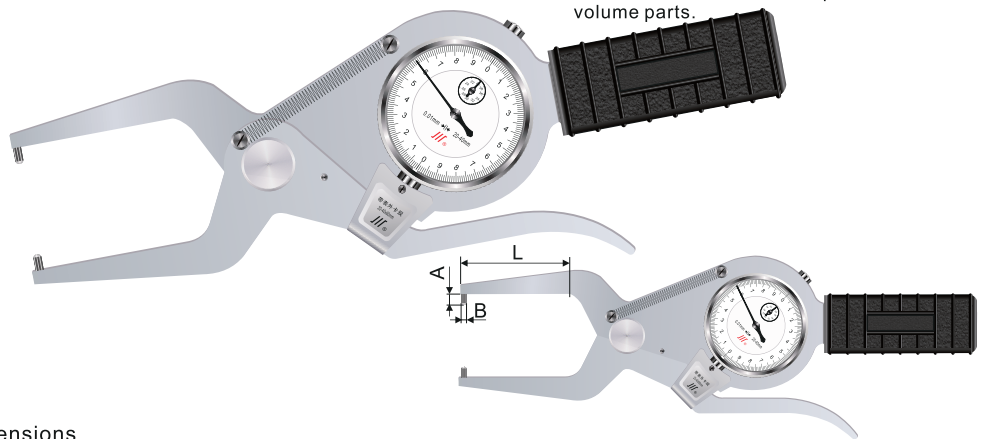
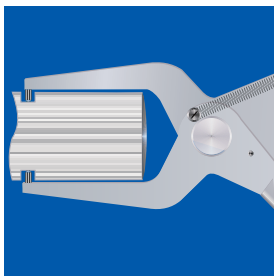
Dial External Caliper Gauges\*0-100mm

执行标准: JB/T10017-2012

Executive standard: JB/T10017-2012

- 1:采用比较测量法, 配合量块使用。
- 2:测量工件外沟槽、板厚等尺寸及其偏差。
- 3:精度要求不高的批量零件的快速测量。

1. Comparative measurement method is used with a gauge block.  
2. Measure the dimensions of the outer groove of the workpiece, plate thickness, etc. and their deviations.  
3. Fast measurement of low precision volume parts.



### 主要技术参数及尺寸

Main technical parameters and dimensions

产品代码 Product code	测量范围 mm Measuring range	分度值 mm Division value	精度 $\mu\text{m}$ Precision	基本尺寸 (mm) Basic dimensions			库存 Inventory
				A	B	L	
1014048020	0-20	0.01	40	6	$\Phi 3$	60	半备 Half stock
1014048040	20-40	0.01	40	6	$\Phi 3$	60	半备 Half stock
1014048060	40-60	0.01	40	6	$\Phi 3$	55	半备 Half stock
1014048080	60-80	0.01	40	6	$\Phi 3$	55	半备 Half stock
1014048100	80-100	0.01	40	6	$\Phi 3$	55	半备 Half stock

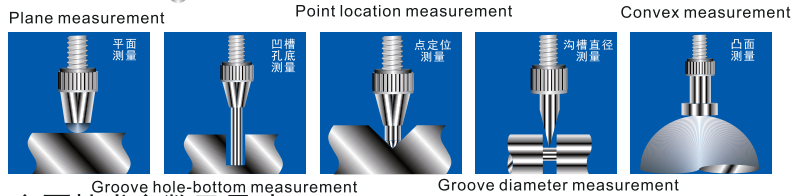
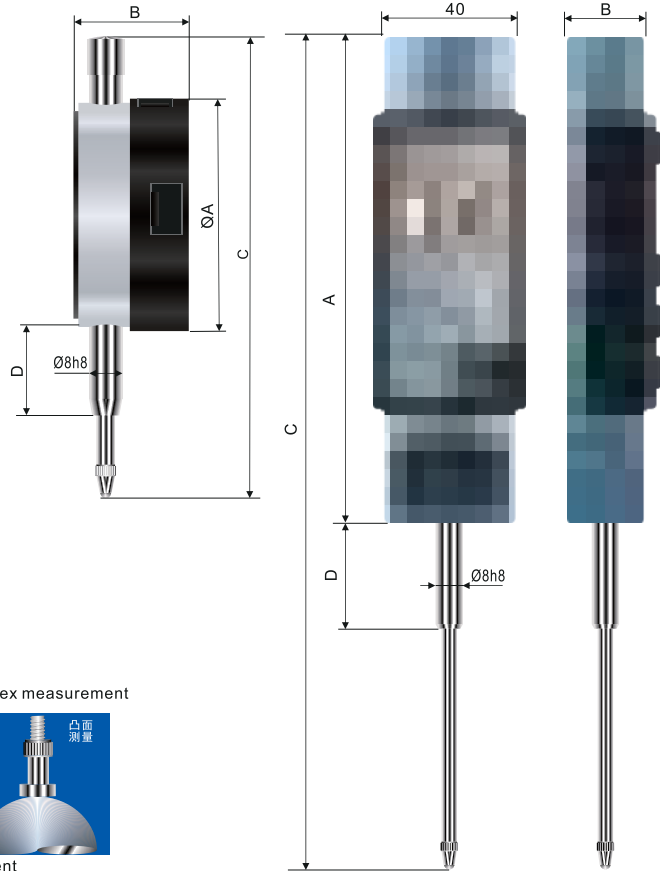


Digital Dial Indicators (0.01mm)\*0~50mm  
数显百分表\*0~50mm

执行标准: GB/T 18761-2007  
Executive standard: GB/T 18761-2007

- 1: 产品默认“不断电”型; 客户可根据需要订购“开关键”或“自动断电”型。
- 2: 具有数字显示、示值保持、最小值跟踪、最大值跟踪及快速显示功能(“开关键”型产品除外)。
- 3: 设计有数据输出接口, 选配我公司容栅数据转接器(USB)即可与PC机相连, 也可配接我厂生产的无线传输产品。

1. The product is of "uninterruptible power" type by default; customers can order "on/off key" or "automatic power off" type according to their needs.
2. It has the functions such as digital display, indication hold, minimum tracking, maximum tracking and fast display (except for the "on/off key" type).
3. Designed with data output interface; choosing the capacitive grating data adapter (SZ-DA) of our company to connect it with the PC, and can also be connected to wireless transmission products produced by our factory.



主要技术参数及尺寸  
Main technical parameters and dimensions

产品代码 Product code	测量范围 mm Measuring range	分辨率 mm Resolution	示值精度 µm Indication Precision	回程精度 µm Return stroke precision	测力 (N) Measured Force N	基本尺寸(mm) Basic dimensions				后盖形式 Rear cover form	电池 Cell LR44 1.55V	库存 Inventory
						A	B	C	D			
1013210501	0-5	0.010	±20	10	≤1.5	Ø56	27	122	20	平后盖 Flat back cover	5013090100	常备 Running stock
1013211001	0-10	0.010	±20	10	≤1.5	Ø56	27	122	20	平后盖 Flat back cover	5013090100	常备 Running stock
1013201021	0-10	0.010	±20	10	≤1.5	Ø56	27	122	20	耳后盖 Ear back cover	5013090100	订产 Reserve production
1013212501	0-25	0.010	±30	10	≤2.2	Ø56	27	124	20	平后盖 Flat back cover	5013090100	常备 Running stock
1013205001	0-50	0.01	±30	10	≤2.5	155	24	242	25	平后盖 Flat back cover	5013090100	常备 Running stock

C 量表  
C. Scale



C14





## 数显千分表\*0~25mm

执行标准: GB/T 18761-2007

Digital Dial Indicators (0.001mm)\*0~25mm

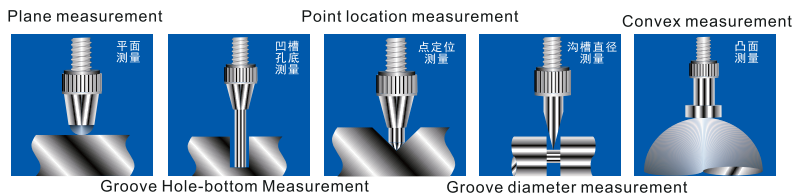
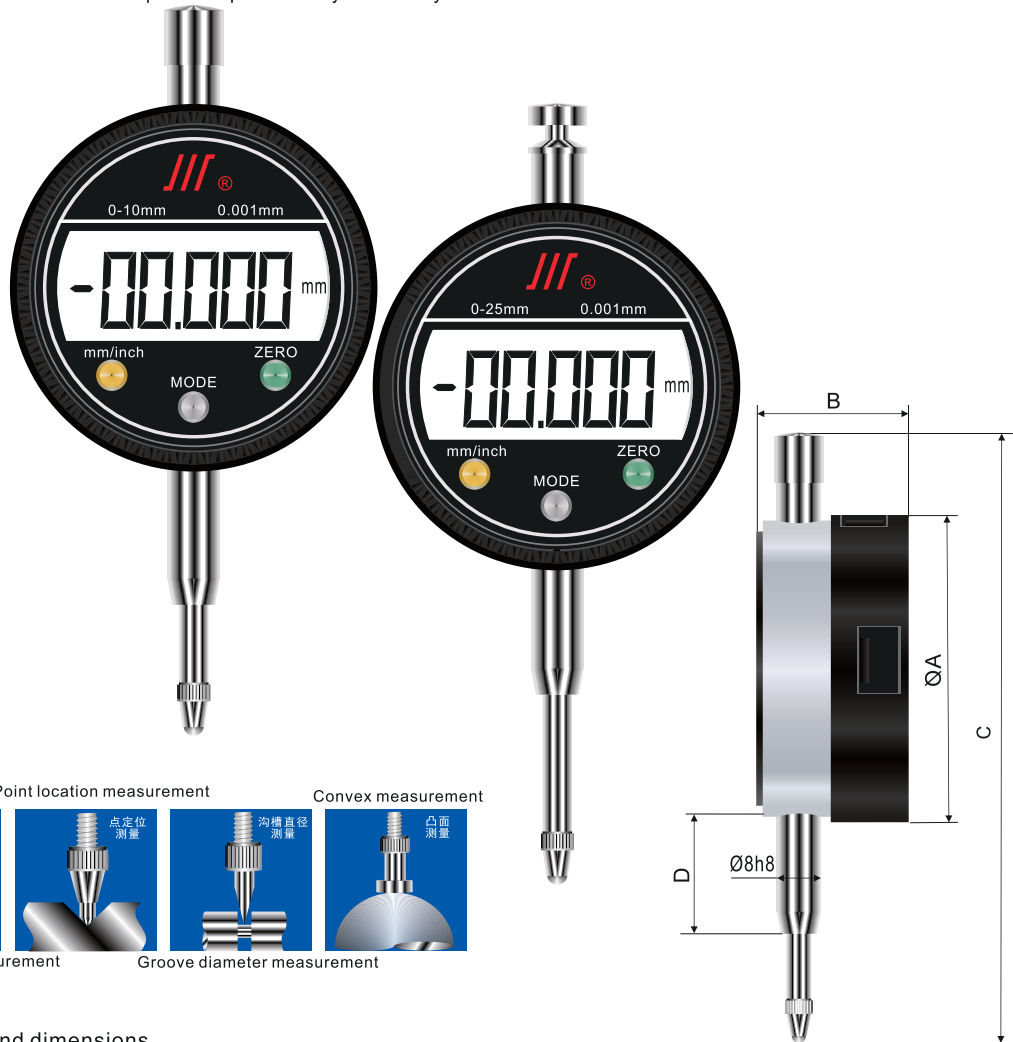
Executive standard: GB/T 18761-2007

- 1: 产品默认“不断电”型; 客户可根据需要订购“开关键”或“自动断电”型。
- 2: 具有数字显示、示值保持、最小值跟踪、最大值跟踪及快速显示功能 (“开关键”型产品除外)。
- 3: 设计有数据输出接口, 选配我公司容栅数据转接器 (USB) 即可与PC机相连, 也可配接我厂生产的无线传输产品。

1: The product is of "uninterruptible power" type by default; customers can order "on/off key" or "automatic power off" type according to their needs.

2: It has the functions such as digital display, indication hold, minimum tracking, maximum tracking and fast display (except for the "on/off key" type).

3: Designed with data output interface; choosing the capacitive grating data adapter (SZ-DA) of our company to connect it with the PC, and can also be connected to wireless transmission products produced by our factory.



### 主要技术参数及尺寸

Main technical parameters and dimensions

产品代码 Product code	测量范围 mm Measuring range	分辨率 mm Resolution	示值精度 $\mu\text{m}$ Indication precision	回程精度 $\mu\text{m}$ Return stroke precision	测力 (N) Dynamometry	基本尺寸 (mm) Basic dimensions				后盖形式 Rear cover form	电池 Cell LR44 1.55V	库存 Inventory
						$\varnothing A$	B	C	D			
1013210503	0-5	0.001	$\pm 7$	2	$\leq 1.5$	56	27	122	20	平后盖 Flat back cover	5013090100	常备 Running stock
1013211003	0-10	0.001	$\pm 7$	2	$\leq 1.5$	56	27	122	20	平后盖 Flat back cover	5013090100	常备 Running stock
1013201023	0-10	0.001	$\pm 7$	2	$\leq 1.5$	56	27	122	20	耳后盖 Ear back cover	5013090100	订产 Reserve production
1013202003	0-20	0.001	$\pm 10$	3	$\leq 2.2$	56	27	124	20	平后盖 Flat back cover	5013090100	常备 Running stock
101320250024	0-25	0.001	$\pm 10$	3	$\leq 2.2$	56	27	124	20	平后盖 Flat back cover	5013090100	订产 Reserve production

C15



# 数显千分表 (光栅式) \*0~25.4mm

Digital Dial Indicators (grating) \*0~25.4mm

执行标准: GB/T 18761-2007

Executive standard: GB/T 18761-2007

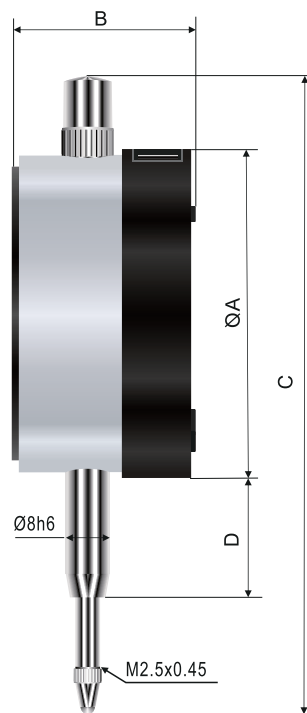
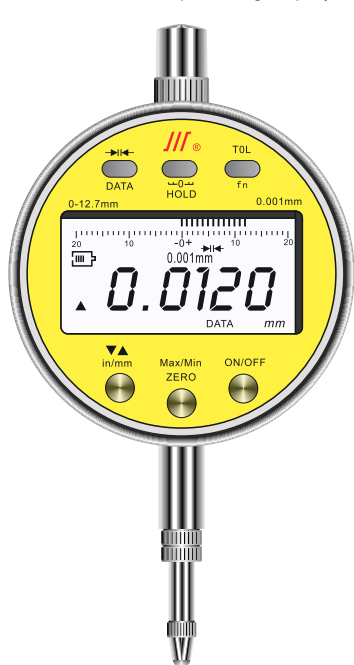
1: 工作原理: 采用绝对式编码设计, 真正实现绝对测量。

2: 优势推荐: 电子数显千分表使用高精度、高灵敏度编码式光栅传感器, 在公制模式下显示数字带万分位0或5。能实现4um带宽精度, 可靠性高, 低回程误差, 低重复性误差, 且有多组功能供用户选用。显示的数字通过操作按键可旋转180°, 方便用户在不同的方位进行读数。用户根据自己的使用习惯, 可设置显示屏的自动断电和不断电二种模式。采用Micro USB接口作为充电及数据传输接口。内置可充电锂电池, 容量大、环保, 循环充电达500次以上。

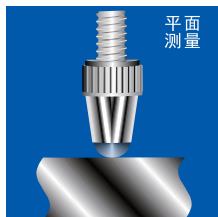
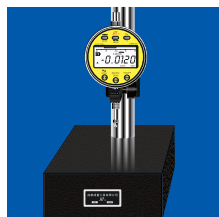
3: 软件功能: 开/关机、循环功能选择、显示置零、公/英制转换、开/关数据传输、示值保持、极值跟踪(最大值、最小值、极差)、可变计数方向、显示180°旋转、标定状态切换、自动关机设置、可调比例因子模拟显示、Micro USB接口的RS 232串口通信。可配接我厂无线传输产品。

1: Working principle: adopt absolute coding design, truly realizing absolute measurement.  
2: Advantages recommended: electronic digital dial indicator (0.001mm) uses a high-precision, high-sensitivity coded grating sensor to display the number with 0 or 5 in the fourth decimal place in metric system. It can achieve 4um bandwidth precision, high reliability, low backward error, low repeatability error, and has multiple groups of functions for users to choose from. The number displayed can be rotated 180 by the operation of the key, being convenient for users to read in different directions. Users can set the two modes of display screen, namely automatic power off and uninterruptible power, according to their habits. Micro USB interface is used as charging and data transmission interface. It has a built-in rechargeable lithium battery, which has features such as large capacity, environmental friendliness, and cycle charge and discharge for more than 500 times.

3: Software functions: power on/off, cycle function selection, display zero setting, metric/imperial conversion, on/off data transmission, indication hold, extreme value tracking (maximum, minimum, range), variable counting direction, 180-degree rotation of the display, switching of the calibration status, automatic shutdown setup, analog display of the adjustable scale factor, and RS 232 serial communication with Micro USB interface.



Plane measurement



平面  
测量

## 主要技术参数及尺寸

Main technical parameters and dimensions

产品代码 Product code	测量范围 mm Measuring range	分辨率 mm Resolution	示值精度 µm Indication Precision	回程精度 µm Return stroke precision	测力 (N) Measured Force N	基本尺寸 (mm) Basic dimensions				后盖形式 Rear cover form	输出线 (选配) Output cable (optional)	库存 Inventory
						ØA	B	C	D			
1013601003	0-12.7	0.0005	≤7	2	≤2	60	33.5	128	20	平后盖 Flat back cover	10139000066	常备 Running stock
1013602503	0-25.4	0.0005	≤7	2	≤2	60	34	190	21	平后盖 Flat back cover	10139000066	常备 Running stock

C16





## 数显内径千分表（整体护桥）\*18~450mm

Digital Dial Bore Gauges (0.001mm) (overall protector)\*18~450mm

执行标准：GB/T 8122-2004

Executive standard: GB/T 8122-2004

1. 护桥辅助定心

2. 配成组可换测头

3. 可订做加长杆用于深孔测量

1.The protector helps centering.

2.A group of changeable measuring heads are provided.

3.They can be customized with an extension rod for deep hole measurement

0 量表 C. Scale



### 主要技术参数及尺寸

Main technical parameters and dimensions

产品代码 Product code	测量范围 mm Measuring range	分辨力 mm Resolution	精度 μm Accuracy	电子数显表头 Electronic digital head		基本尺寸 (mm) Basic dimensions				护桥形式 Protector form	Cell 电池 LR44 1.55V	输出线 (选配) Output cable (optional)	库存 Inventory
				表头代码 Head code	千分表 indicator (0.001 mm)	∅A	H1	H2	H3				
1013335003	18-35	0.001	6	1013211003	0-10	56	6.5	130	202	整体 Overall	5013090100	5013095000	常备 Running stock
1013350003	35-50	0.001	6			56	9	162	284	整体 Overall	5013090100	5013095000	常备 Running stock
1013310003	50-100	0.001	7			56	11.5	205	317	整体 Overall	5013090100	5013095000	常备 Running stock
1013316103	50-160	0.001	7		0-10	56	11.5	205	317	整体 Overall	5013090100	5013095000	常备 Running stock
1013325003	100-250	0.001	7		56	13	314	445	整体 Overall	5013090100	5013095000	常备 Running stock	
1013345003	250-450	0.001	7		56	14	500	702	整体 Overall	5013090100	5013095000	常备 Running stock	

C17



## 数显深度百/千分表

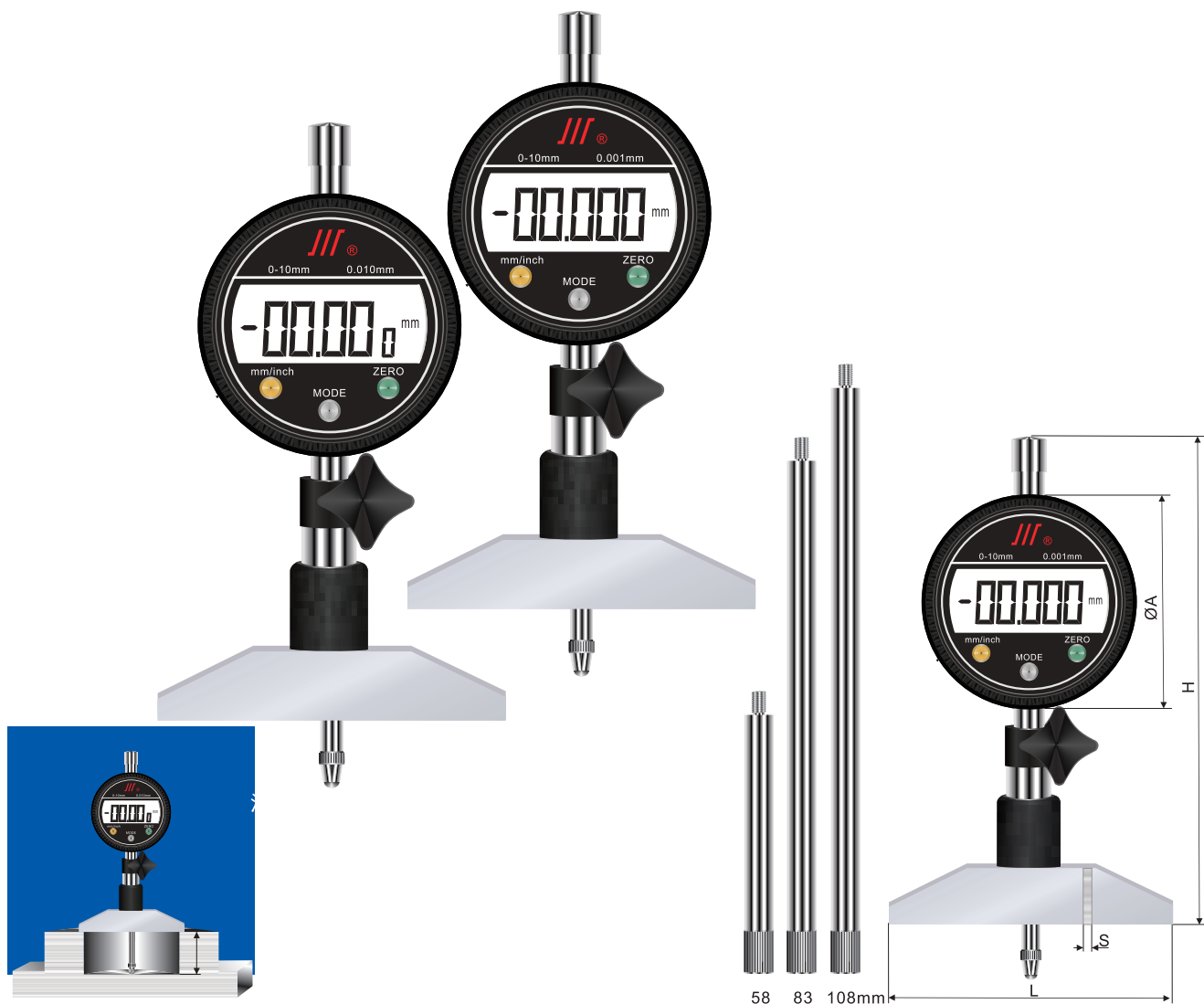
Digital Depth Dial Indicators (0.01mm / 0.001mm)

执行标准: GB/T 18761-2007

Executive standard: GB/T 18761-2007

1. 测量孔和槽的深度及台阶高度。
2. 配成组接长杆。
3. 测量深度大于25mm为比较测量。

1. Measure the depth of holes and grooves and the height of steps.
2. A group of lengthening rods are provided.
3. Measurement depths greater than 25 mm are comparative measurements.



C 量表  
C. Scale

### 主要技术参数及尺寸

Main technical parameters and dimensions

产品代码 Product code	测量范围 mm Measuring range	分辨力 mm Resolution	精度 μm Accuracy	行程 mm Stroke	基本尺寸 (mm) Basic dimensions				接长杆 mm Lengthening Rod mm	Cell 电池	输出线 (选配) Output cable (optional)	Inventory 库存
					ØA	L	H	S		LR44 1.55V		
1013501001	0-10	0.010	±20	10	56	77	143	18		5013090100	5013095000	常备 Running stock
1013502501	0-25	0.010	±30	25	56	77	143	18		5013090100	5013095000	常备 Running stock
1013510001	0-100	0.010	±30	25	56	77	143	18	、58、83、108/各1根	5013090100	5013095000	常备 Running stock
1013501003	0-10	0.001	±7	10	56	77	143	18		5013090100	5013095000	常备 Running stock
1013502503	0-25	0.001	±10	25	56	77	143	18		5013090100	5013095000	常备 Running stock
1013510003	0-100	0.001	±10	25	56	77	143	18	58、83、108/各1根	5013091000	5013095000	常备 Running stock

C18





## 数显测厚表\*0~10mm

Digital Thickness Gauges \*0~10mm

执行标准: GB/T 22520-2008

Executive standard: GB/T 22520-2008

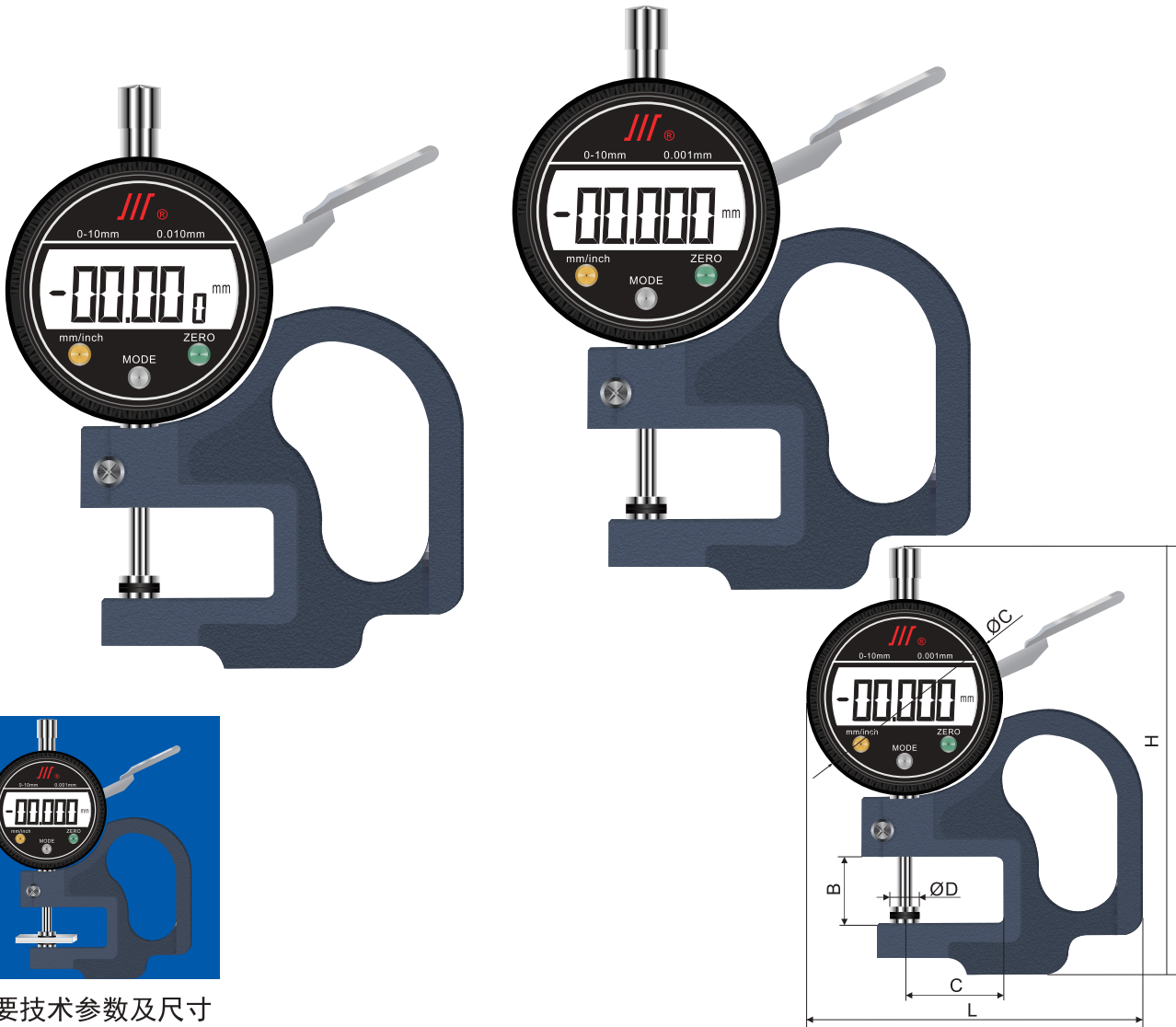
1: 电子数显测厚百分表/千分表可用于测量金属薄片、纸张、各种薄膜以及管状物的壁厚 (测头为平面或球面)。

2: 能快速寻找测量中的最大值或最小值, 但按动提升机构时不能过快过猛, 以防止测量面碰伤。

1: Electronic digital depth dial indicator (0.01mm / 0.001mm) can be used to measure the wall thickness of metal sheets, paper, various films and tubes (the measuring head is flat or spherical).

2: It can quickly find the maximum or minimum value in the measurement, but do not press the lifting mechanism too fast or too fierce to prevent the measurement surface from damage.

0 量表 C. Scale



### 主要技术参数及尺寸

Main technical parameters and dimensions

产品代码 Product code	测量范围 mm Measuring range	分辨力 mm Resolution	精度 µm Accuracy	测力 (N) Measured Force N	基本尺寸 (mm) Basic dimensions						Cell 电池	输出线 (选配) Output cable (optional)	库存 Inventory
					ØC	B	C	ØD	L	H	LR44 1.55V		
1013401001	0-10	0.010	±20	≤1.5	56	22	29	6.5	100	135	5013090100	5013095000	常备 Running stock
1013401023	0-10	0.001	±7	≤1.5	56	22	29	6.5	100	135	5013090100	5013095000	常备 Running stock

C19



成都新成量工具有限公司  
Chengdu New Chengliang Tools Co., Ltd.

C 量規 C. Scale



C20





## D. 直尺及角度尺目录

### D. Squares and Angle Rulers Catalog

#### 直尺及角度尺

#### Squares and Angle Rulers

刀口尺----- D01

Beveled Edge Rulers

刀口形直角尺----- D01

Beveled Edge Squares

宽座形直角尺----- D02

Edge Squares with Wide Base

游标万能角度尺----- D02

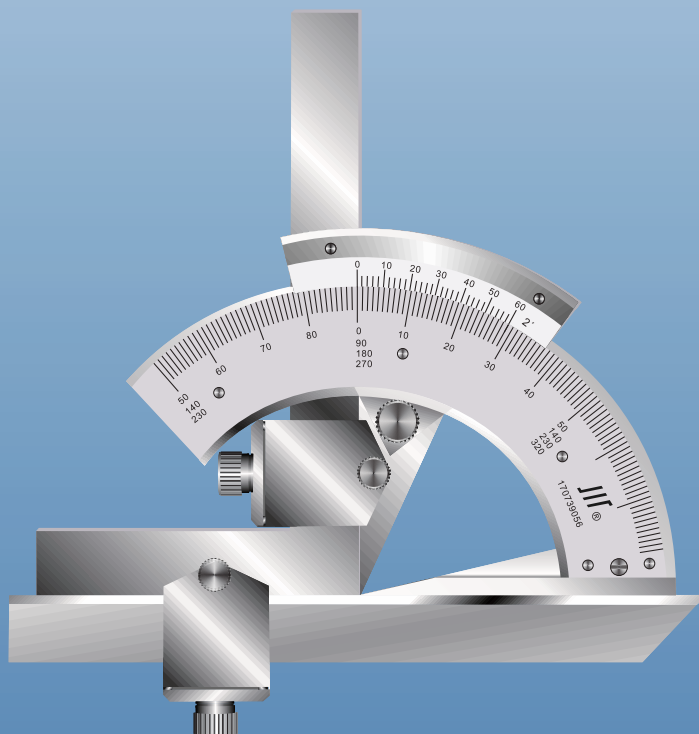
Universal Bevel Protractors

带表万能角度尺----- D03

Dial Universal Bevel Protractors

数显万能角度尺----- D04

Digital Universal Bevel Protractors



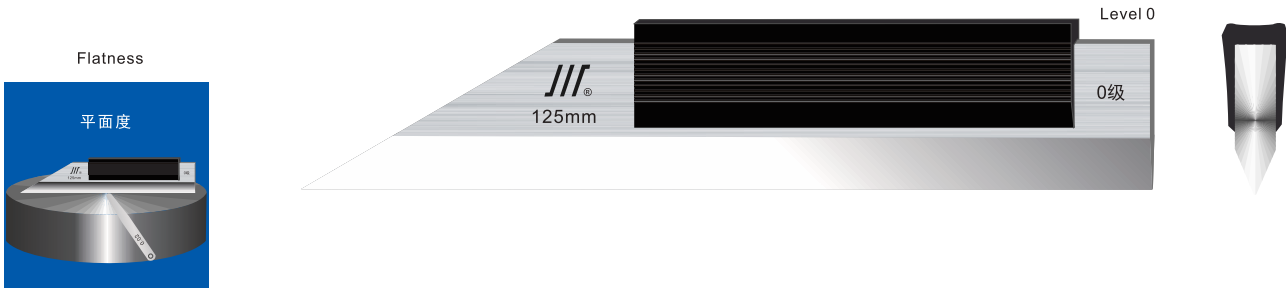


## 刀口形直尺\*75~500mm

Beveled Edge Squares\*75~500mm

执行标准: GB/T 6091-2022

Executive standard: GB/T 6091-2004



### 主要技术参数

Main technical parameters and dimensions

产品代码 Product code	规格(mm) Spec.	精度 Accuracy	基本尺寸(mm) Basic dimensions			库存 Inventory
			L	B	H	
1152250750	75	0级	75	22	6	常备 Running stock
1152251250	125	0级	125	27	6	常备 Running stock
1152251750	175	0级	175	30	8	常备 Running stock
1152252000	200	0级	200	30	8	常备 Running stock
1152252250	225	0级	225	30	8	常备 Running stock
1152253000	300	0级	300	40	8	常备 Running stock
1152254000	400	0级	400	45	8	常备 Running stock
1152255000	500	0级	500	50	10	常备 Running stock



### 特点 Characteristics

- 适用于与塞尺配合或光隙法测量平面度和直线度。
- Suitable for measuring flatness and straightness in conjunction with feeler gauge or by using light slit method.

D 直尺及角度尺 D. Ruler and angle ruler

## 刀口形直角尺\*50~200mm

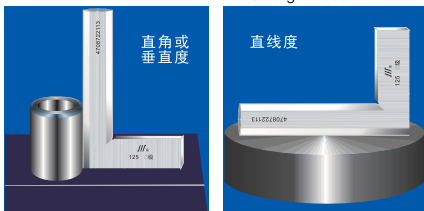
Beveled Edge Squares \*50-200 mm

执行标准: GB/T 6092-2021

Executive standard: GB/T 6092-2004

Right angle or verticality

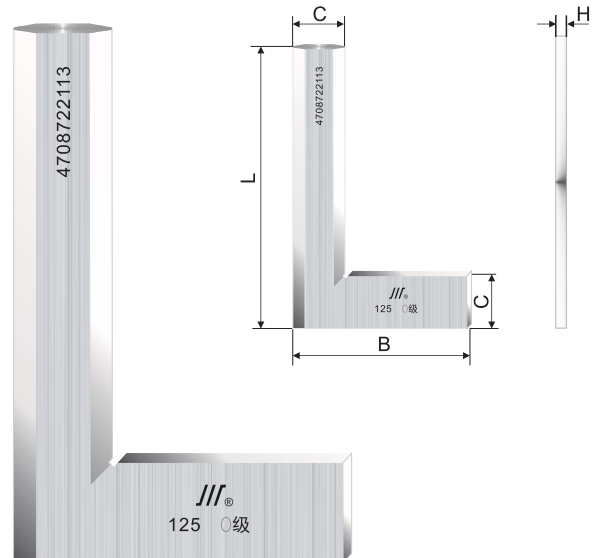
Straightness



### 主要技术参数

Main technical parameters and dimensions

产品代码 Product code	规格(mm) Spec.	精度 Accuracy	基本尺寸(mm) Basic dimensions				库存 Inventory
			L	B	C	H	
1152250050	50x32	0级	50	32	15	3	常备 Running stock
1152260063	63x40	0级	63	40	15	3	常备 Running stock
1152260080	80x50	0级	80	50	20	4	常备 Running stock
1152260100	100x63	0级	100	63	22	5	常备 Running stock
1152260125	125x80	0级	125	80	25	5	常备 Running stock
1152260160	160x100	0级	160	100	28	6	常备 Running stock
1152260200	200x125	0级	200	125	30	6	常备 Running stock



### 特点 Characteristics

- 适用于检验直角、垂直度和直线度误差的测量。
- Suitable for checking the measurement of right angle, verticality and straightness errors.

D01



## 宽座形直角尺\*63~500mm

Squares with Wide Base \*63-500 mm

执行标准: GB/T 6092-2021

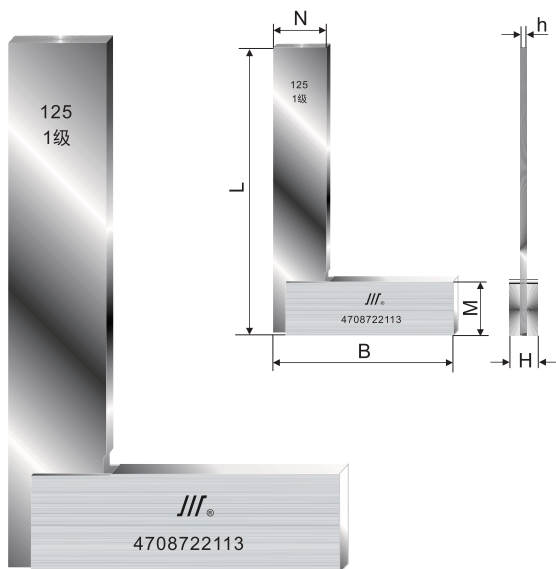
Executive standard: GB/T 6092-2004



### 主要技术参数

Main technical parameters and dimensions

产品代码 Product code	规格 (mm) Spec.	精度 Accuracy	基本尺寸 (mm) Basic dimensions						库存 Inventory
			L	B	N	M	H	h	
1152270063	63x40	1级	63	40	14	13	7	2	常备 Running stock
1152270080	80x50	1级	80	50	17	16	8.5	2	常备 Running stock
1152270100	100x63	1级	100	63	22	19	10	2	常备 Running stock
1152270125	125x80	1级	125	80	22	22	15	3	常备 Running stock
1152270160	160x100	1级	160	100	27	26	15	3	常备 Running stock
1152270200	200x125	1级	200	125	32	36	17	4	常备 Running stock
1152270250	250x160	1级	250	160	42	36	17	4	常备 Running stock
1152270315	315x200	1级	315	200	47	46	22	5	常备 Running stock
1152270400	400x250	1级	400	250	52	46	22	5	常备 Running stock
1152270500	500x315	1级	500	315	57	55	27	5	常备 Running stock



### 特点 Characteristics

- 适用于检验直角、垂直度和直线度误差的测量。
- Suitable for checking the measurement of right angle, verticality and straightness errors.

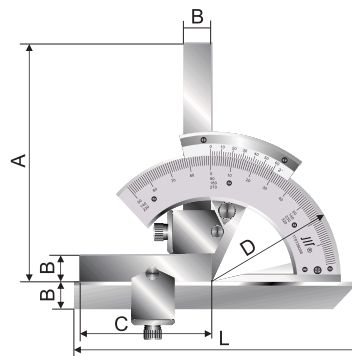
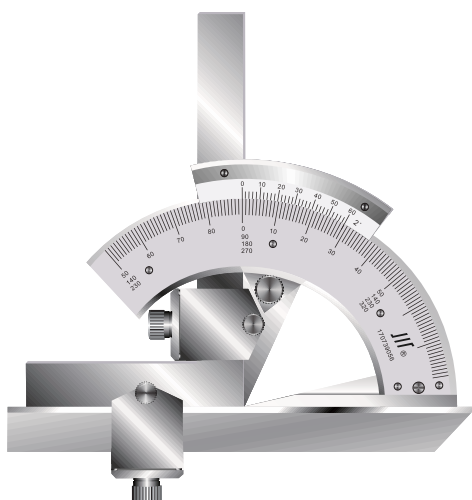
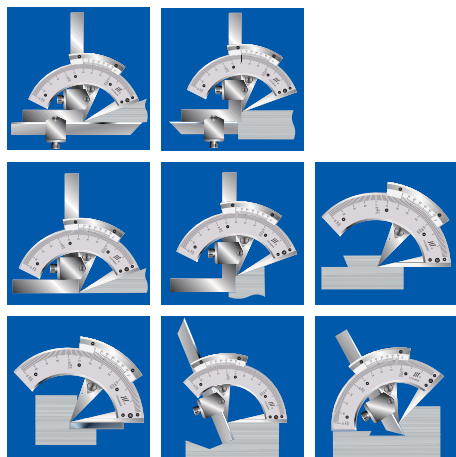
D 直尺及角度尺 D. Ruler and angle ruler

## 游标万能角度尺\*0-320°

Universal bevel protractor

执行标准: GB/T 6315-2008

Executive standard: GB/T 6315-2008



### 主要技术参数

Main technical parameters and dimensions

产品代码 Product code	测量范围 Measuring range	分度值 Division value	精度 Accuracy	基本尺寸 (mm) Basic dimensions					库存 Inventory
				L	A	B	C	D	
1012303202	0-320°	2'	±2'	150	125	14	68	136	常备 Running stock

### 特点 Characteristics

- 适用于测量内外角度。
- 高级优质碳素工具钢及轴承钢制造。
- Suitable for measuring interior and exterior angles.
- Made of high-quality carbon tool steel and bearing steel.

D02



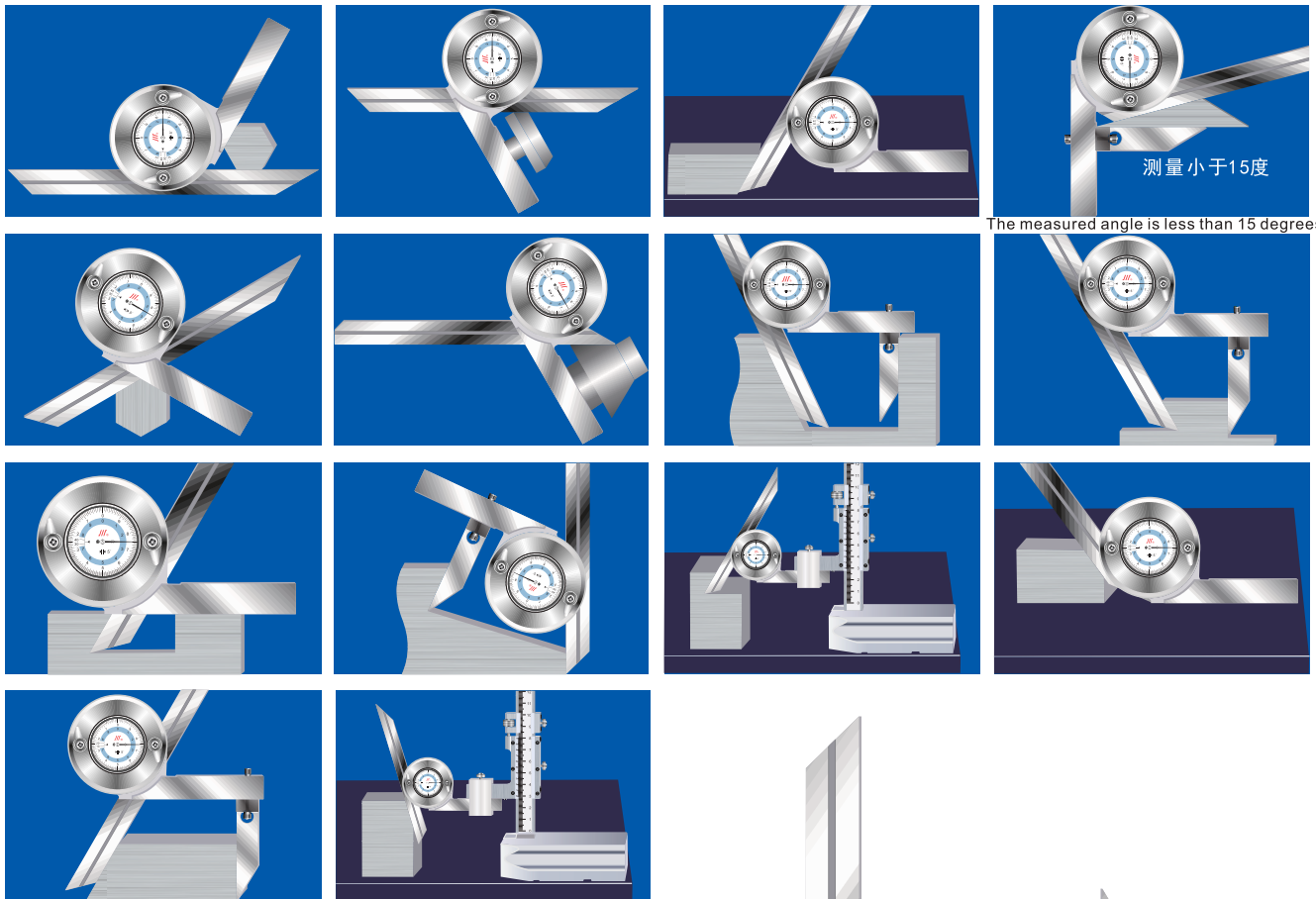


## 带表万能角度尺\*0-360°

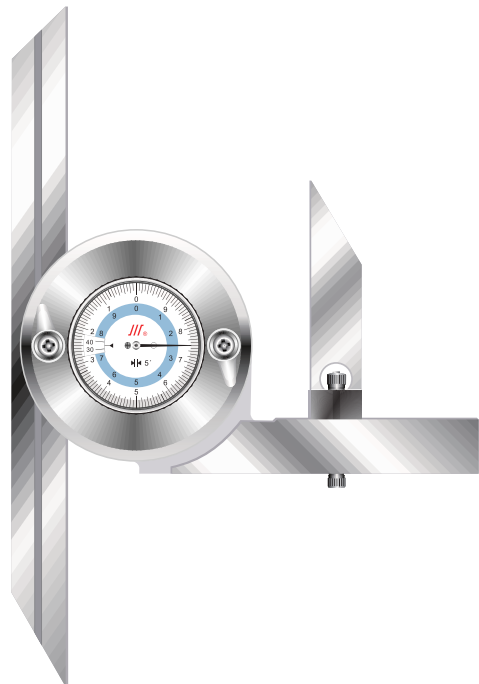
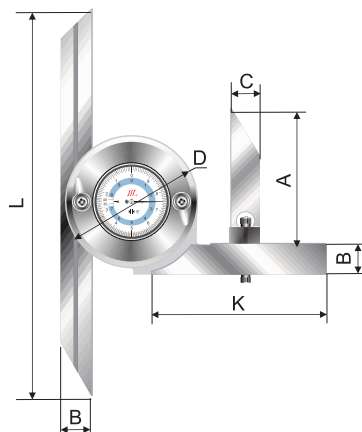
Dial Universal Bevel Protractors \*0-360°

执行标准: GB/T 6315-2008

Executive standard: GB/T 6315-2008



D 直尺及角度尺 D. Ruler and angle ruler



### 主要技术参数

Main technical parameters and dimensions

产品代码 Product code	测量范围 Measuring range	分度值 Division value	精度 Accuracy	基本尺寸(mm) Basic dimensions						库存 Inventory 常备 Running stock
				L	A	B	C	D	K	
1012303605	0-360°	5'	±5'	200	70	16	15	67.5	100	

### 特点 Characteristics

- Suitable for measuring interior and exterior angles.
- 适用于测量内外角度。
- 不锈钢制造。
- Made of stainless steel.

D03

## 数显万能角度尺\*0-360°

Digital Universal Bevel Protractors \*0-360°

执行标准: GB/T 6315-2008  
Executive standard: GB/T 6315-2008

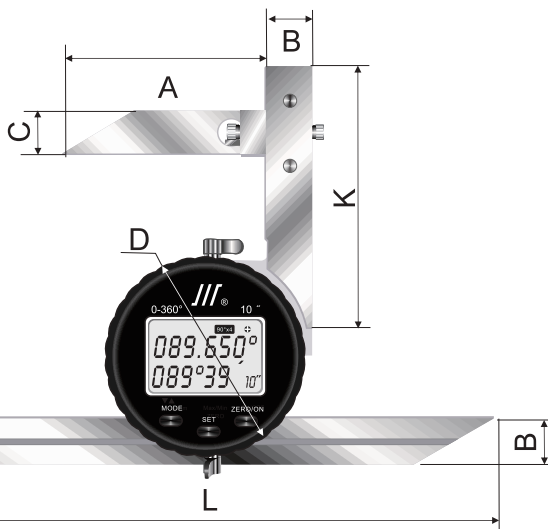
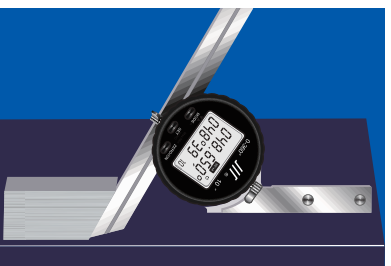
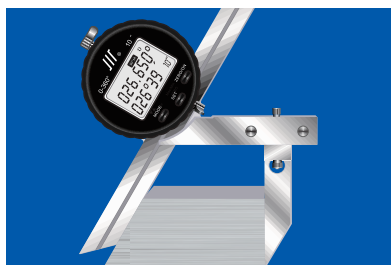
### 产品特点

1. 双排液晶显示: 第一排以度为单位显示测量值; 第二排以度分秒方式显示。
2. 长按[ZERO/ON]实现关机。短按[ZERO/ON]键可以实现开机、清零或预设值。
3. 提供三种不同的测量范围模式, 分别为: 0-360度、0-180度和0-90度三种显示效果。客户可以根据需要选择, 短按[MODE]键转换三种不同模式。
4. 方向切换: 在测量状态下, 长按[MODE]键, 可以切换数据变化方向。
5. 绝对测量/相对测量切换: 在测量状态下, 短按[SET]键, 可以切换相对/绝对测量状态。
6. 校准点设置: 长按[SET]键进入ABS数据校准, 校准点设置状态。设定好后长按[SET]键退出预设值设置。
7. 电源: 3V 锂电池CR2032, 数据输出: Rs232。(可选购数据传输模块)

### Product characteristics

1. Double-row LCD: the first row displays measured value in degree, while the second row displays degree, minute and second.
2. Long press [ZERO/ON] to shut down. Short press [ZERO / ON] to realize startup, reset or preset value.
3. Three measurement ranges are available: 0-360 degrees, 0-180 degrees and 0-90 degrees, which provide different display effects. Customers can choose the three modes according to their need; short press [MODE] key to switch among these modes.
4. Direction switching: In the measurement state, long press the [MODE] button to switch the direction of data change.
5. Absolute measurement / relative measurement switching: In the measurement state, short press the [SET] button to switch the relative / absolute measurement status.
5. Absolute measurement / relative measurement switching: In the measurement state, short press the [SET] button to switch the relative / absolute measurement status.
5. Absolute measurement / relative measurement switching: In the measurement state, short press the [SET] button to switch the relative / absolute measurement status.

D 直尺及角度尺 D. Ruler and angle ruler



### 主要技术参数

Main technical parameters and dimensions

产品代码 Product code	测量范围 Measuring range	分辨率 Resolution	精度 Accuracy	基本尺寸 (mm) Basic dimensions						库存 Inventory
				L	A	B	C	D	K	
1013036063	0-360°	0.005°/10"	±4'	150(200、300选配) 150(200,300 optional)	70	15.5	18	Ø72	80	常备 Running stock

D04



## F. 量块目录

### F. Gauge Blocks Catalog

<b>套装公制量块</b> Metric Gauge Block Sets	
122块/套	F01
122 pcs / set	
112块/套	F01
122 pcs / set	
103块/套	F02
103 pcs / set	
91块/套	F02
91 pcs / set	
87块/套	F02
87 pcs / set	
83块/套	F03
83 pcs / set	
47块/套	F03
47 pcs / set	
46块/套	F03
46 pcs / set	
38块/套	F04
38 pcs / set	
32块/套	F04
32 pcs / set	
正十块/套	F04
+ 10 pcs / set	
负十块/套	F04
- 10 pcs / set	
大八块/套	F05
Large 8 pcs / set	
大五块/套	F05
Large 5 pcs / set	
<b>套装专用量块</b> Special Gauge Block Sets	
卡尺专用块/套	F06
Gauge Block Sets for Calipers pcs / set	
千分尺专用块/套	F07
Gauge Block Sets for Micrometers pcs / set	
<b>套装角度量块</b> Angle Gauge Block Sets pcs / set	
7块/套	F08
7 pcs / set	
<b>单块量块</b> Single Gauge Blocks	
公制量块	F09-12
Metric Gauge Blocks	
卡尺专用块	F12
Gauge Blocks for Calipers	
千分尺专用块	F13
Gauge Blocks for Micrometers	
<b>量块附件</b> Accessories for Gauge Blocks	
量块夹子	F14
Block Holders	



成都新成量工具有限公司  
Chengdu New Chengliang Tools Co.Ltd.

F 量块 F. Gauge block





### 量块:

Gauge Blocks:

执行标准: GB/T 6093-2001; ISO 3650:1998; DIN 861-1:1980; JIS B 7506:2004.

Executive standards: GB/T 6093-2001, ISO 3650:1998, DIN 861-1:1980, JIS B 7506:2004

一、特点: 成量公司可为客户提供多种国内外标准或各种类型的量块。产品具有尺寸精度高、表面粗糙度低、研合力好、尺寸稳定, 激光刻字字型美观清晰的特点。

材质-GCr15; 稳定性-低温处理; 硬度≥63HRC; 检测环境-标准温度20°C。

二、用途: 量块是长度传递的基准, 可用于检定调整各种计量器具或机床以及工夹具, 也可直接用于加工检测中精密比较测量或划线。在使用中可参考下表选用量块级别。

1. Chengliang can provide customers with gage blocks that conform to domestic and overseas standards or have various shapes. The products have features such as high dimensional precision, low surface roughness, high lapping-in performance, stable dimensions, and beautiful and clear typefaces by laser inscription.

Material - GCr15; Stability - low temperature treatment; Hardness ≥63HRC; Testing environment - standard temperature 20°C.

2. Application: As a length transfer benchmark, gage blocks can be used to calibrate or adjust various measuring instruments or machine tools and clamping apparatuses, and can be directly used for precision comparison measurement or marking in machining and detection. The grades of gauge blocks in the following table can be referred for operation.

使用类型 Type of use	应用 Applications	级别 Grade
车间使用 Shop application	安装工具和刀具 Installation of tools and cutters	2
	生产计量器具 Measuring instrument production	1或2
检验使用 Inspection	校准仪器 Calibration instruments	1或2
	检验机械零件、工具等 Inspection of machine parts, tools, etc.	1或2
	检验计量器具精度 Precision test of measuring instruments	0或1
	校准仪器 Calibration instruments	0或1

使用类型 Type of use	应用 Applications	级别 Grade
校准使用 Calibration use	检查车间用量块精度 Check the precision of gauge blocks in the workshop	k 或 0 k or 0
	检查检验精度 Inspection of test precision	
	检查仪器精度 Inspection of instrument precision	
基准使用 Benchmark use	检查校准精度 Inspection of calibration precision	k
	用于学术研究 For academic research	

### 三、针对给定长度的组合

对于给定长度, 可以有多种量块的组合方法, 选择时应遵循以下几点

①、尽量使用少数量的量块来获得给定长度。

②、选择应首先满足最小数位的要求, 然后类推至最大数位。

③、为了减少磨损, 给定长度的整数部分, 不要总是选用相同的量块。④ To reduce wear, the integer part of a preset length should avoid the use of identical gauge blocks.

### 四、精度指标: GB/T 6093-2001

### 3. Combination of preset length

Gauge blocks can be combined for a preset length in multiple ways. The following requirements for combination must be met:

① A preset length may not be realized by a small number of gauge blocks.

② The requirement of the minimum digit should be met firstly, then, the maximum digit, by analogue.

③ To reduce wear, the integer part of a preset length should avoid the use of identical gauge blocks.

### 4. Precision indicator: GB/T 6093-2001

## 量块测量面上任意点的长度极限偏差 $t_e$ 和长度变动量最大允许值 $t_v$

(表1)

The length limit deviation of ( $t_e$ ) and maximum allowable value of length variation quantity ( $t_v$ ) of any point on the measuring surface of gauge blocks (Table 1)

标称长度 Nominal length mm		K级 Grade K		0级 Level 0		1级 Level 1		2级 Level 2		3级 Level 3	
		$\pm t_e$	$t_v$	$\pm t_e$	$t_v$	$\pm t_e$	$t_v$	$\pm t_e$	$t_v$	$\pm t_e$	$t_v$
大于 >	至 to	$\mu m$									
-	10	0.20	0.05	0.12	0.10	0.20	0.16	0.45	0.30	1.00	0.50
10	25	0.30	0.05	0.14	0.10	0.30	0.16	0.60	0.30	1.20	0.50
25	50	0.40	0.06	0.20	0.10	0.40	0.18	0.80	0.30	1.60	0.55
50	75	0.50	0.06	0.25	0.12	0.50	0.18	1.00	0.35	2.00	0.55
75	100	0.60	0.07	0.30	0.12	0.60	0.20	1.20	0.35	2.50	0.60
100	150	0.80	0.08	0.40	0.14	0.80	0.20	1.60	0.40	3.00	0.65
150	200	1.00	0.09	0.50	0.16	1.00	0.25	2.00	0.40	4.00	0.70
200	250	1.20	0.10	0.60	0.16	1.20	0.25	2.40	0.45	5.00	0.75
250	300	1.40	0.10	0.70	0.18	1.40	0.25	2.80	0.50	6.00	0.80
300	400	1.80	0.12	0.90	0.20	1.80	0.30	3.60	0.50	7.00	0.90
400	500	2.20	0.14	1.10	0.25	2.20	0.35	4.40	0.60	9.00	1.00
500	600	2.60	0.16	1.30	0.25	2.60	0.40	5.00	0.70	11.00	1.10
600	700	3.00	0.18	1.50	0.30	3.00	0.45	6.00	0.70	12.00	1.20
700	800	3.40	0.20	1.70	0.30	3.40	0.50	6.50	0.80	14.00	1.30
800	900	3.80	0.20	1.90	0.35	3.80	0.50	7.50	0.90	15.00	1.40
900	1000	4.20	0.25	2.00	0.40	4.20	0.60	8.00	1.00	17.00	1.50

## 量块测量面的平面度最大允许值

(表2)

Maximum permissible flatness of the measuring surface of the gauge block (Table 2)

标称长度mm Nominal length mm		K级 Grade K	0级 Level 0	1级 Level 1	2、3级 Grade 2, 3
		平面度公差 $t_f$ ; ( $\mu m$ ) Flatness tolerance $t_f$ ; ( $\mu m$ )			
大于 >	至 to				
-	150	0.05	0.10	0.15	0.25
150	500	0.10	0.15	0.18	0.25
500	1000	0.15	0.18	0.20	0.25

## 量块测量面表面粗糙度

(表3)

Surface roughness of measuring surface of gage blocks (Table 3)

K、0级 Grade K, 0	1、2、3级 Level 1, 2, 3
Ra0.01或Rz0.05	Ra0.016或Rz0.08
Ra0.01 or Rz0.05	Ra0.016 or Rz0.08

## 量块传递等级选用量块级别

Gage block transfer class and gauge block grade (Table 3)

量块传递的等 Gauge Block Transfer Class	选用量块级别 Gauge block grade
1等 1-class	K级 Grade K
2等 2-class	0级 Grade 0
3等 3-class	1级 Grade 1
4等 4-class	2级 Grade 2
5等 5-class	3级 Grade 3



**套装公制量块-122、112块/套**  
Metric Gauge Block Sets-122, 112 pcs / set

122块  
122 blocks

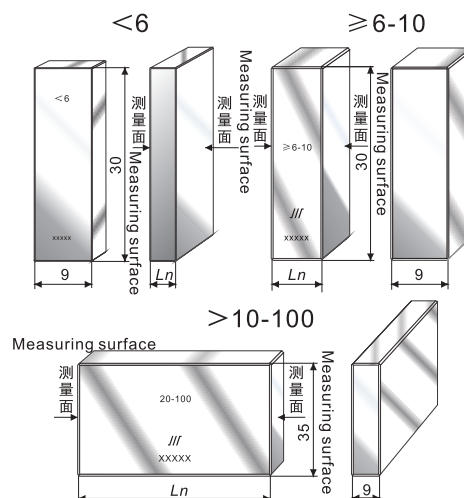
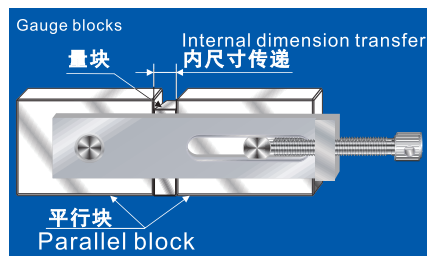
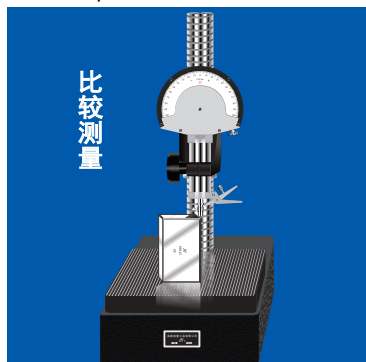


112块  
112 blocks



F 量块 F. Gauge block

Comparison measurement



每套块数 Number of blocks per set	标称长度尺寸 Ln (mm) Nominal length dimension Ln	间距 Spacing	块数 Number of blocks	K级 Grade K		0级 Level 0		1级 Level 1		2级 Level 2	
				代码 Code	库存 Inventory	代码 Code	库存 Inventory	代码 Code	库存 Inventory	代码 Code	库存 Inventory
122块 标准: DIN 861-1:1980 122 blocks Standard: DIN 861-1:1980	0.5	-	1	1015621229	订产 Reserve production	1015621220	常备 Running stock	1015621221	常备 Running stock	1015621222	常备 Running stock
	1	-	1								
	1.0005	-	1								
	75	-	1								
	1.001-----1.009	0.001	9								
	1.01-----1.49	0.01	49								
	1.5-----1.9	0.1	5								
	2-----25	0.5	47								
30-----100	10	8									
112块 标准: ISO 3650-1998 112 blocks Standard: ISO 3650-1998	0.5	-	1	1015501129	订产 Reserve production	1015501120	常备 Running stock	1015501121	常备 Running stock	1015501122	常备 Running stock
	1	-	1								
	1.0005	-	1								
	1.001-----1.009	0.001	9								
	1.01-----1.49	0.01	49								
	1.5-----25	0.5	48								
50-----100	25	3									

F01



## 套装公制量块-103、91、87块/套

Metric Gauge Block Sets-103, 91 and 87 pcs/set

103块  
103 blocks



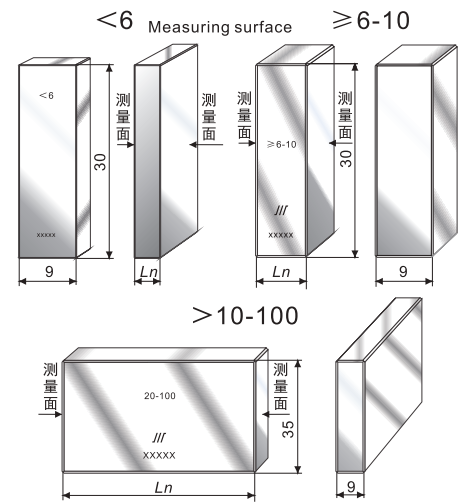
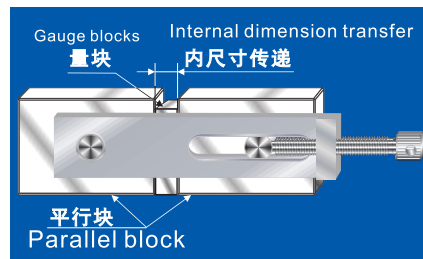
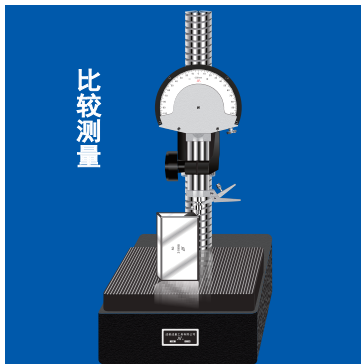
91块  
91 blocks



87块  
87 blocks



Comparison measurement



F 量块 F. Gauge block

每套块数 Number of blocks per set	标称长度尺寸 Ln (mm) Nominal length dimension Ln	间距 Spacing	块数 Number of blocks	K级 Grade K		0级 Level 0		1级 Level 1		2级 Level 2	
				代码 Code	库存 Inventory	代码 Code	库存 Inventory	代码 Code	库存 Inventory	代码 Code	库存 Inventory
103块 标准: DIN 861-1:1980 861-1:1980 103 blocks Standard: DIN 861-1: 1980	1.005	-	1	1015621039	订产 Reserve production	1015621030	常备 Running stock	1015621031	常备 Running stock	1015621032	常备 Running stock
	1.01-----1.49	0.01	49								
	0.5-----24.5	0.5	49								
	25-----100	25	4								
91块 标准: GB/T 6093-2001 91 blocks Standard: GB/T 6093-2001	0.5	-	1	1015620919	订产 Reserve production	1015620910	常备 Running stock	1015620911	常备 Running stock	1015620912	常备 Running stock
	1	-	1								
	1.001-----1.009	0.001	9								
	1.01-----1.49	0.01	49								
	1.5-----1.9	0.1	5								
	2-----9.5	0.5	16								
87块 标准: DIN 861-1:1980 87 blocks Standard: DIN 861-1: 1980	1.001-----1.009	0.001	9	1015620879	订产 Reserve production	1015620870	常备 Running stock	1015620871	常备 Running stock	1015620872	常备 Running stock
	1.01-----1.49	0.01	49								
	0.5-----9.5	0.5	19								
	10-----100	10	10								
	10-----100	10	10								

F02



## 套装公制量块-83、47、46块/套

Metric Gauge Block Sets-83, 47 and 46 pcs/set

83块

83 blocks



47块

47 blocks

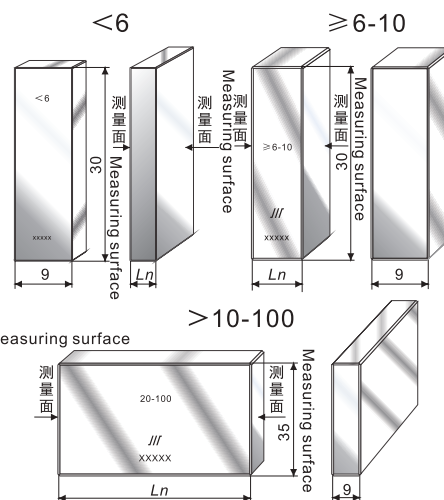
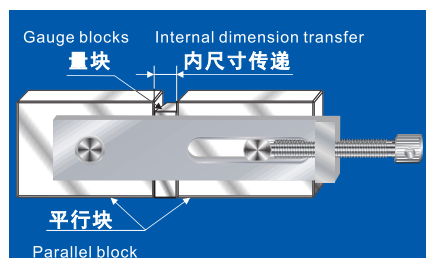
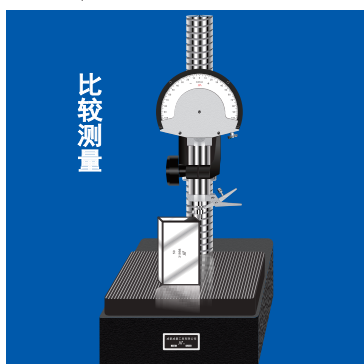


46块

46 blocks



Comparison measurement



F 量块 F. Gauge block

每套块数 Number of blocks per set	标称长度尺寸 Ln (mm) Nominal length dimension Ln	间距 Spacing	块数 Number of blocks	K级 Grade K		0级 Level 0		1级 Level 1		2级 Level 2	
				代码 Code	库存 Inventory	代码 Code	库存 Inventory	代码 Code	库存 Inventory	代码 Code	库存 Inventory
83块	0.5	-	1								
标准: GB/T 6093-2001	1	-	1								
ISO 3650:1998	1.01-----1.49	0.01	49	1015620839	订产 Reserve production	1015620830	常备 Running stock	1015620831	常备 Running stock	1015620832	常备 Running stock
83 blocks Standard: GB/T6093-2001 ISO 3650:1998	1.5-----1.9	0.1	5								
	2-----9.5	0.5	16								
	10-----100	10	10								
47块	1.005	-	1								
标准: DIN 861-1:1980	1.01-----1.2	0.01	20	1015710479	订产 Reserve production	1015710470	常备 Running stock	1015710471	常备 Running stock	1015710472	常备 Running stock
47 blocks DIN 861-1:1980	1.3-----1.9	0.1	7								
	1-----9	1	9								
	10-----100	10	10								
46块	1	-	1								
标准: GB/T 6093-2001	1.001-----1.009	0.001	9	1015500469	订产 Reserve production	1015500460	常备 Running stock	1015500461	常备 Running stock	1015500462	常备 Running stock
ISO 3650:1998	1.01-----1.09	0.01	9								
Standard: GB/T 6093-2001 ISO 3650:1998	1.1-----1.9	0.1	9								
	2-----9	1	8								
	10-----100	10	10								

F03



# 套装公制量块-38、32、正负10块/套

Metric Gauge Block Sets-38, 32 and +/-10 pcs/set

38块  
38 blocks



正10块  
+10 blocks



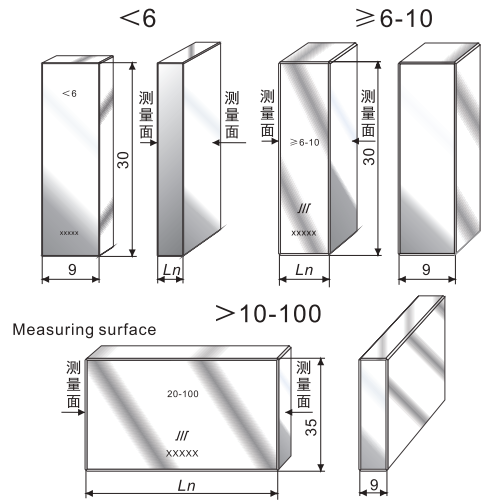
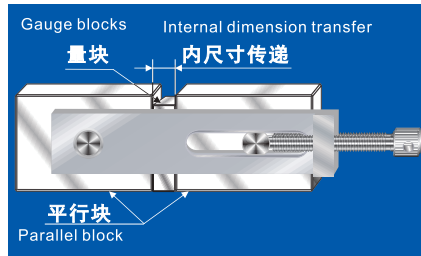
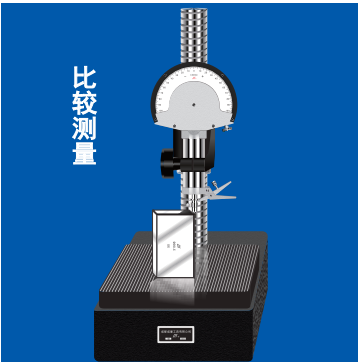
负10块  
-10 blocks



32块  
32 blocks



Comparison measurement



F 量块 F. Gauge block

每套块数 Number of blocks per set	标称长度尺寸 Ln (mm) Nominal length dimension Ln	间距 Spacing	块数 Number of blocks	K级 Grade K		0级 Level 0		1级 Level 1		2级 Level 2	
				代码 Code	库存 Inventory	代码 Code	库存 Inventory	代码 Code	库存 Inventory	代码 Code	库存 Inventory
38块 标准: GB/T 6093-2001 ISO 3650:1998 6093-2001 ISO 3650:1998	1	-	1	1015500389	订产 Reserve production	1015500380	常备 Running stock	1015500381	常备 Running stock	1015500382	常备 Running stock
	1.005	-	1								
	1.01-----1.09	0.01	9								
	1.1-----1.9	1.1	9								
	2-----9	1	8								
10-----100	10	10									
32块 标准: DIN 861-1:1980 32 blocks DIN 861-1:1980	1.005	-	1	1015620329	订产 Reserve production	1015620320	常备 Running stock	1015620321	常备 Running stock	1015620322	常备 Running stock
	50	-	1								
	1.01-----1.09	0.01	9								
	1.1-----1.9	0.1	9								
	1-----9	1	9								
10-----30	10	3									
正10块 +10 blocks	1-----1.009	0.001	10	标准: GB/T 6093-2001; ISO 3650:1998							
				1015501109	订产 Reserve production	1015501100	常备 Running stock	1015501101	常备 Running stock	1015501102	常备 Running stock
负10块 -10 blocks	0.991-----1	0.001	10	标准: GB/T 6093-2001; ISO 3650:1998							
				1015500109	订产 Reserve production	1015500100	常备 Running stock	1015500101	常备 Running stock	1015500102	常备 Running stock

F04

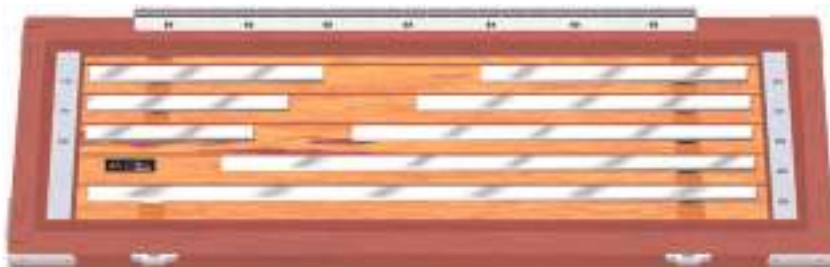




# 套装公制量块-大五块、大八块/套

Metric Gauge Block Sets-5 and 8 pcs/set

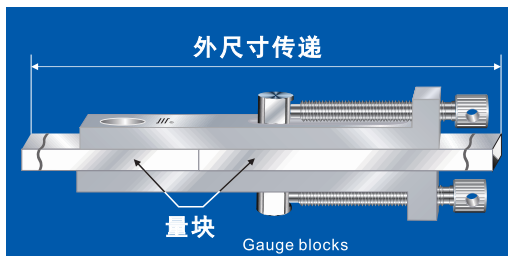
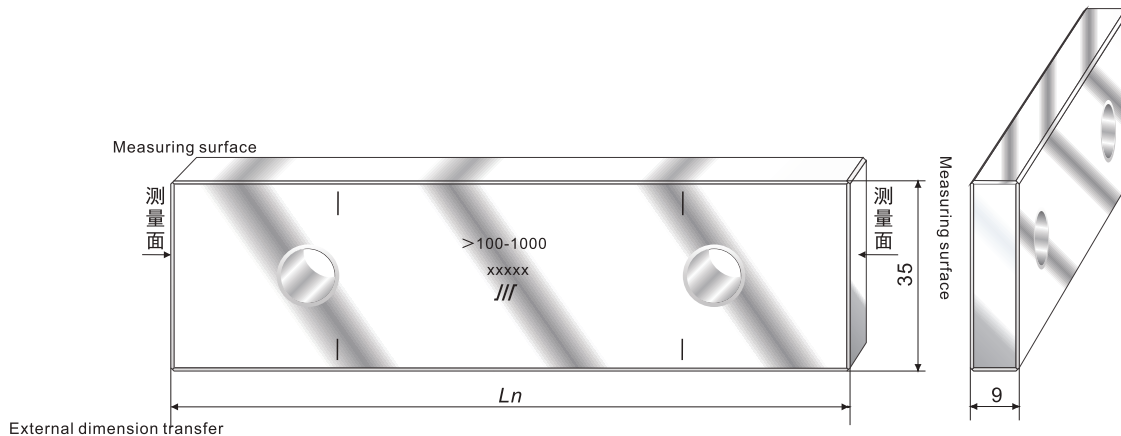
大八块 Large 8 blocks



大五块 Large 5 blocks



F 量块 F. Gauge block



每套块数 Number of blocks per set	标称长度尺寸 $L_n$ (mm) Nominal length dimension $L_n$	间距 Spacing	块数 Number of blocks	K级 Grade K		0级 Level 0		1级 Level 1		2级 Level 2	
				代码 Code	库存 Inventory	代码 Code	库存 Inventory	代码 Code	库存 Inventory	代码 Code	库存 Inventory
大八块 Large 8 blocks	125 -----200	25	4	标准: GB/T 6093-2001、ISO 3650:1998							
	250 -----300	50	2	1015500089	订产 Reserve production	1015500080	常备 Running stock	1015500081	常备 Running stock	1015500082	常备 Running stock
	400 -----500	100	2								
大五块 Large 5 blocks	600 -----1000	100	5	标准: GB/T 6093-2001、ISO 3650:1998							
				1015500059	订产 Reserve production	1015500050	常备 Running stock	1015500051	常备 Running stock	1015500052	常备 Running stock

F05





### 套装卡尺专用量块

执行标准: GB/T 6093-2001

Executive standard: GB/T 6093-2001

#### Special Gauge Block Sets for Calipers

一、用途: 是卡尺长度传递的基准。用于卡尺示值误差检定。

二、特点: A. 材质GCr15; B. 稳定性低温处理; C. 硬度≥63HRC; D. 检测环境标准温度20°C。

三、卡尺专用块等级选用:

1. Application: As a length transfer benchmark for calipers, they are used for indication error calibration for calipers.

2. Characteristics: A. Material GCr15; B. Stability low temperature treatment; C. Hardness ≥63HRC; D. Detection of environmental standard temperature 20°C

3. Selection and use of special gage blocks for calipers:

使用类型 Type of use	应用 Applications	等级 Level
车间使用 Shop application	车间检验卡尺 Shop inspection of calipers	2或3 2 or 3
计量使用 Measurement use	计量部门计量卡尺 Measurement of calipers by metrological service	0或1 0 or 1
校准使用 Calibration use	检查车间用卡尺专用块精度 Inspection of precision of special gauge blocks for shop calipers	0



0-150 (6块套)  
0-150 (6 blocks/set)



0-200 (6块套)  
0-200 (6 blocks/set)



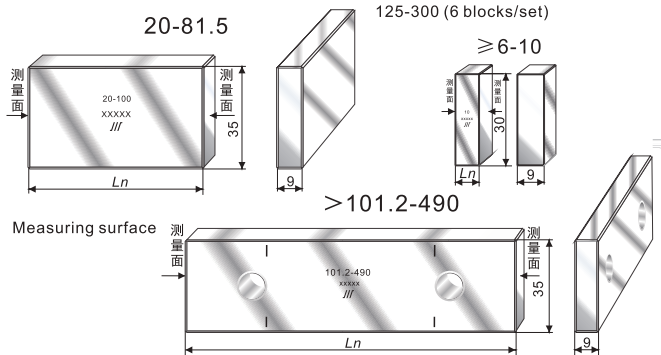
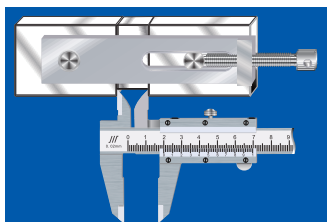
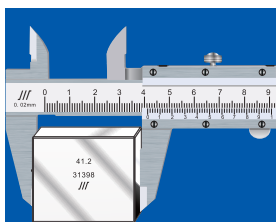
0-300 (3块套)  
0-300 (6 blocks/set)



0-500 (6块套)  
0-500 (6 blocks/set)



125-300 (12块套)



每套块数 Number of blocks per set	标称长度尺寸 Ln (mm) Nominal length dimension Ln	间距 Spacing	块数 Number of blocks	K级 Grade K		0级 Level 0		1级 Level 1		2级 Level 2	
				代码 Code	库存 Inventory	代码 Code	库存 Inventory	代码 Code	库存 Inventory	代码 Code	库存 Inventory
0-150 (6块套)	10	-	1	1015623060	常备 Running stock	1015623061	常备 Running stock	1015623062	常备 Running stock	1015623063	常备 Running stock
	20, 20	-	2								
0-150 (6 blocks/set)	41.2, 81.5, 121.8	40.3	3								
0-200 (6块套)	10	-	1	1015625060	常备 Running stock	1015625061	常备 Running stock	1015625062	常备 Running stock	1015625063	常备 Running stock
	20, 20	-	2								
0-200 (6 blocks/set)	51.2, 121.5, 191.8	70.3	3								
0-300 (3块套)	101.2, 201.5, 291.8	-	3	1015622030	常备 Running stock	1015622031	常备 Running stock	1015622032	常备 Running stock	1015622033	常备 Running stock
0-300 (6 blocks/set)											
0-500 (6块套)	101.2, 200, 291.5,	-	6	1015622060	常备 Running stock	1015622061	常备 Running stock	1015622062	常备 Running stock	1015622063	常备 Running stock
0-500 (6 blocks/set)	375, 451, 8, 490										
125-300 (12块套)	10, 20, 20	-	3	1015620120	常备 Running stock	1015620121	常备 Running stock	1015620122	常备 Running stock	1015620123	常备 Running stock
	101.2, 201.5, 291.8	-	3								
125-300 (6 blocks/set)	41.2, 81.5, 121.8	40.3	3								
	51.2, 121.5, 191.8	70.3	3								

F06





### 套装千分尺专用量块

执行标准: GB/T 6093-2001

Special Gauge Block Sets for Micrometers

Executive standard: GB/T 6093-2001

一、用途: 是千分尺长度传递的基准。用于千分尺示值误差检定。

二、特点: A. 材质GCr15; B. 稳定性低温处理; C. 硬度 ≥63HRC; D. 检测环境标准温度20°C。

三、千分尺专用块等级选用:

1. Application: As a length transfer benchmark for micrometers, they are used for indication error calibration for micrometers.

2. Characteristics: A. Material GCr15; B. Stability low temperature treatment; C. Hardness ≥63HRC; D. Detection of environmental standard temperature 20.

3. Selection and use of special gage blocks for micrometers:

使用类型 Type of use	应用 Applications	等级 Level
车间使用 Shop application	车间检验千分尺 Shop inspection of micrometers	1或2 1 or 2
计量使用 Measurement use	计量部门计量千分尺 Measurement of micrometers by metrological service	0
校准使用 Calibration use	检查车间用千分尺专用块精度 Inspection of precision of special gauge blocks for shop micrometers	0



0-25 (10块套)  
0-25 (10 blocks/set)



25-50 (10块套)  
25-50 (10 blocks/set)



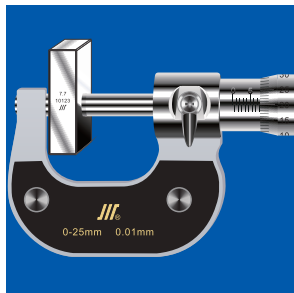
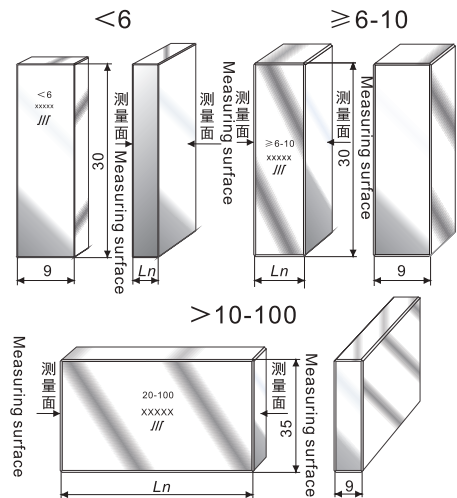
50-75 (10块套)  
50-75 (10 blocks/set)



75-100 (10块套)  
75-100 (10 blocks/set)



0-100 (20块套)  
0-100 (10 blocks/set)



F 量块 F. Gauge block

每套块数 Number of blocks per set	标称长度尺寸 Ln (mm) Nominal length dimension Ln	间距 Spacing	块数 Number of blocks	0级 Level 0		1级 Level 1		2级 Level 2	
				代码 Code	库存 Inventory	代码 Code	库存 Inventory	代码 Code	库存 Inventory
0-25 (10块套) 0-25 (10 blocks/set)	2.5、5.1、7.7、10.3、12.9 15、17.6、20.2、22.8、25	10	10	1015622100	常备 Running stock	1015622101	常备 Running stock		
25-50 (10块套) 25-50 (10 blocks/set)	27.5、30.1、32.7、35.3、37.9 40、42.6、45.2、47.8、50	10	10	1015623100	常备 Running stock	1015623101	常备 Running stock		
50-75 (10块套) 50-75 (10 blocks/set)	52.5、55.1、57.7、60.3、62.9 65、67.6、70.2、72.8、75	10	10	1015624100	常备 Running stock	1015624101	常备 Running stock		
75-100 (10块套) 75-100 (10 blocks/set)	77.5、80.1、82.7、85.3、87.9 90、92.6、95.2、97.8、100	10	10	1015625100	常备 Running stock	1015625101	常备 Running stock		
25-100 (20块套) 25-100 (10 blocks/set)	5.12、10.24、15.36	5.12	3	1015620200	常备 Running stock	1015620201	常备 Running stock	1015620202	常备 Running stock
	25、50、75、100	25	4						
	30.12、35.24、40.36	5.12	3						
	21.5、46.5、71.5、96.5	25	4						
	55.12、60.24、65.36	5.12	3						
	80.12、85.24、90.36	5.12	3						



## 套装角度量块-7块/套

Angle Gauge Block Sets-7 pcs/set

执行标准: GB/T 22521-2008.

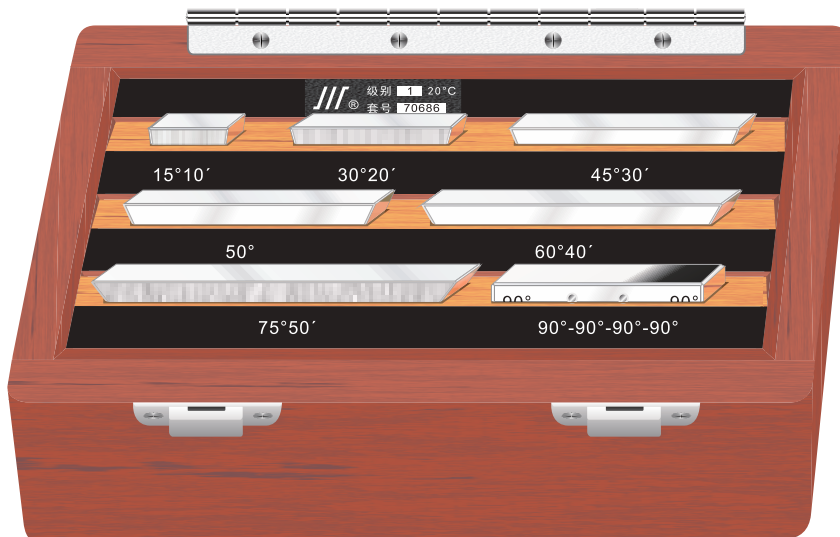
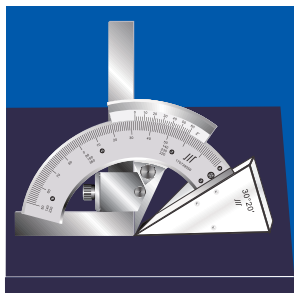
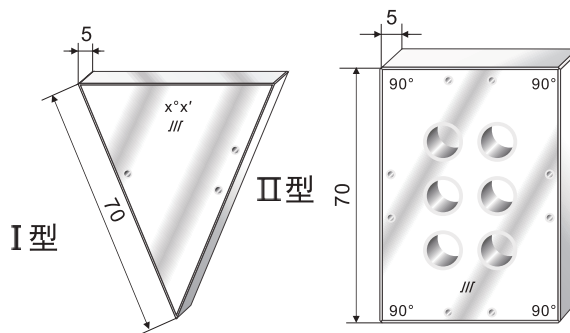
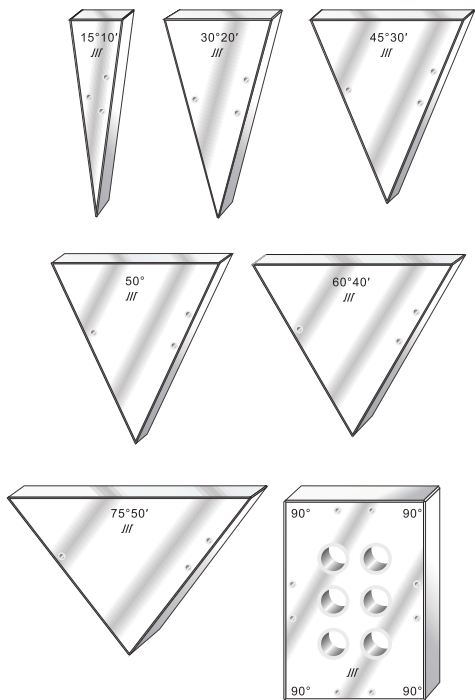
Executive standard: GB/T 22521-2008

用途: 用角度量块附件把不同角度的量块组成需要的角度, 常用于检定角度样板和  
万能角度尺等; 也可用于直接测量工件的角度。

特点: A. 材质GCr15; B. 稳定性-低温处理; C. 硬度 $\geq 63\text{HRC}$ ; D. 检测环境标准温度 $20^\circ\text{C}$ 。

Application: gauge blocks with different angles are combined to form needed angles through angle gauge block accessories, usually to calibrate angular templates and universal bevel protractors, etc., or directly to measure the angle of workpiece.

Characteristics: A. Material GCr15; B. Stability low temperature treatment; C. Hardness  $\geq 63\text{HRC}$ ; D. Detection of environmental standard temperature  $20^\circ\text{C}$ .



F 量块 F. Gauge block

标称长度尺寸 $L_n$ (mm) Nominal length dimension $L_n$	间距 Spacing	块数 Number of blocks	1级 Level 1		2级 Level 2	
			代码 Code	库存 Inventory	代码 Code	库存 Inventory
15°10', 30°20', 45°30', 60°40', 75°50'	15°10'	5	1015629171	半备 Half stock	1015629172	半备 Half stock
50°	-	1				
90°-90°-90°-90°-	-	1				

F08



单块公制量块: <6mm

Single Metric Gauge Blocks: <6mm

执行标准: GB/T 6093-2001.

Executive standard: GB/T 6093-2001.

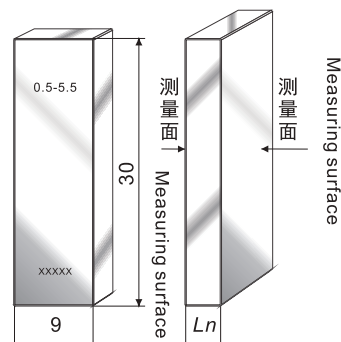


Table with 11 columns: 标称长度尺寸 Ln (mm), K级 Level K, 0级 Level 0, 1级 Level 1, 2级 Level 2, 3级 Level 3. Each column contains codes and '库存' (Inventory) status.

F 量块 F. Gauge block





继:单块公制量块: <6mm Following: Single Metric Gauge Blocks: <6mm

标称长度尺寸 Ln (mm) Nominal length dimension Ln	K级 Level K		0级 Level 0		1级 Level 1		2级 Level 2		3级 Level 3	
	代码 Code	库存 Inventory	代码 Code	库存 Inventory	代码 Code	库存 Inventory	代码 Code	库存 Inventory	代码 Code	库存 Inventory
1.25	1015000459	订产	1015000450	订产	1015000451	订产	1015000452	订产	1015000453	订产
1.26	1015000469	订产	1015000460	订产	1015000461	订产	1015000462	订产	1015000463	订产
1.27	1015000479	订产	1015000470	订产	1015000471	订产	1015000472	订产	1015000473	订产
1.28	1015000489	订产	1015000480	订产	1015000481	订产	1015000482	订产	1015000483	订产
1.29	1015000499	订产	1015000490	订产	1015000491	订产	1015000492	订产	1015000493	订产
1.3	1015000509	订产	1015000500	订产	1015000501	订产	1015000502	订产	1015000503	订产
1.31	1015000519	订产	1015000510	订产	1015000511	订产	1015000512	订产	1015000513	订产
1.32	1015000529	订产	1015000520	订产	1015000521	订产	1015000522	订产	1015000523	订产
1.33	1015000539	订产	1015000530	订产	1015000531	订产	1015000532	订产	1015000533	订产
1.34	1015000549	订产	1015000540	订产	1015000541	订产	1015000542	订产	1015000543	订产
1.35	1015000559	订产	1015000550	订产	1015000551	订产	1015000552	订产	1015000553	订产
1.36	1015000569	订产	1015000560	订产	1015000561	订产	1015000562	订产	1015000563	订产
1.37	1015000579	订产	1015000570	订产	1015000571	订产	1015000572	订产	1015000573	订产
1.38	1015000589	订产	1015000580	订产	1015000581	订产	1015000582	订产	1015000583	订产
1.39	1015000599	订产	1015000590	订产	1015000591	订产	1015000592	订产	1015000593	订产
1.4	1015000609	订产	1015000600	订产	1015000601	订产	1015000602	订产	1015000603	订产
1.41	1015000619	订产	1015000610	订产	1015000611	订产	1015000612	订产	1015000613	订产
1.42	1015000629	订产	1015000620	订产	1015000621	订产	1015000622	订产	1015000623	订产
1.43	1015000639	订产	1015000630	订产	1015000631	订产	1015000632	订产	1015000633	订产
1.44	1015000649	订产	1015000640	订产	1015000641	订产	1015000642	订产	1015000643	订产
1.45	1015000659	订产	1015000650	订产	1015000651	订产	1015000652	订产	1015000653	订产
1.46	1015000669	订产	1015000660	订产	1015000661	订产	1015000662	订产	1015000663	订产
1.47	1015000679	订产	1015000670	订产	1015000671	订产	1015000672	订产	1015000673	订产
1.48	1015000689	订产	1015000680	订产	1015000681	订产	1015000682	订产	1015000683	订产
1.49	1015000699	订产	1015000690	订产	1015000691	订产	1015000692	订产	1015000693	订产
1.5	1015000709	订产	1015000700	订产	1015000701	订产	1015000702	订产	1015000703	订产
1.6	1015000719	订产	1015000710	订产	1015000711	订产	1015000712	订产	1015000713	订产
1.7	1015000729	订产	1015000720	订产	1015000721	订产	1015000722	订产	1015000723	订产
1.8	1015000739	订产	1015000730	订产	1015000731	订产	1015000732	订产	1015000733	订产
1.9	1015000749	订产	1015000740	订产	1015000741	订产	1015000742	订产	1015000743	订产
2	1015000759	订产	1015000750	订产	1015000751	订产	1015000752	订产	1015000753	订产
2.5	1015000769	订产	1015000760	订产	1015000761	订产	1015000762	订产	1015000763	订产
3	1015000779	订产	1015000770	订产	1015000771	订产	1015000772	订产	1015000773	订产
3.5	1015000789	订产	1015000780	订产	1015000781	订产	1015000782	订产	1015000783	订产
4	1015000799	订产	1015000790	订产	1015000791	订产	1015000792	订产	1015000793	订产
4.5	1015000809	订产	1015000800	订产	1015000801	订产	1015000802	订产	1015000803	订产
5	1015000819	订产	1015000810	订产	1015000811	订产	1015000812	订产	1015000813	订产
5.5	1015000829	订产	1015000820	订产	1015000821	订产	1015000822	订产	1015000823	订产

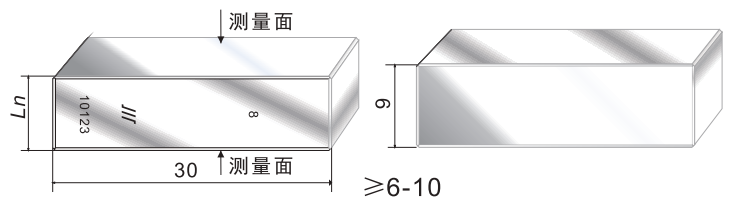
F 量块 F Gauge block

公制单块量块: ≥6-10mm

Single Metric Gauge Blocks: ≥6-10mm

执行标准: GB/T 6093-2001.

Executive standard: GB/T 6093-2001.



标称长度尺寸 Ln (mm) Nominal length dimension Ln	K级 Level K		0级 Level 0		1级 Level 1		2级 Level 2		3级 Level 3	
	代码 Code	库存 Inventory	代码 Code	库存 Inventory	代码 Code	库存 Inventory	代码 Code	库存 Inventory	代码 Code	库存 Inventory
6	1015000839	订产	1015000830	订产	1015000831	订产	1015000832	订产	1015000833	订产
6.5	1015000849	订产	1015000840	订产	1015000841	订产	1015000842	订产	1015000843	订产
7	1015000859	订产	1015000850	订产	1015000851	订产	1015000852	订产	1015000853	订产
7.5	1015000869	订产	1015000860	订产	1015000861	订产	1015000862	订产	1015000863	订产
8	1015000879	订产	1015000870	订产	1015000871	订产	1015000872	订产	1015000873	订产
8.5	1015000889	订产	1015000880	订产	1015000881	订产	1015000882	订产	1015000883	订产
9	1015000899	订产	1015000890	订产	1015000891	订产	1015000892	订产	1015000893	订产
9.5	1015000909	订产	1015000900	订产	1015000901	订产	1015000902	订产	1015000903	订产
10	1015000919	订产	1015000910	订产	1015000911	订产	1015000912	订产	1015000913	订产





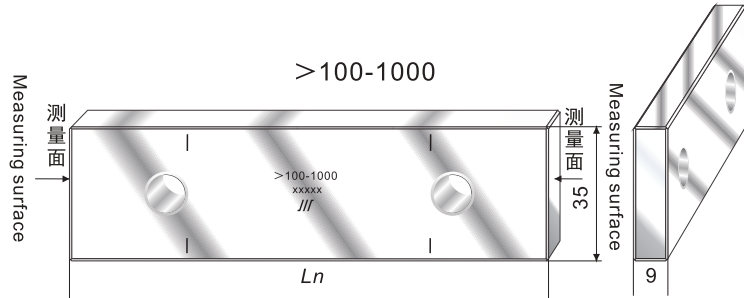


## 单块公制量块: >100~1000mm

Single Metric Gauge Blocks: >100~1000mm

执行标准: GB/T 6093-2001.

Executive standard: GB/T 6093-2001.



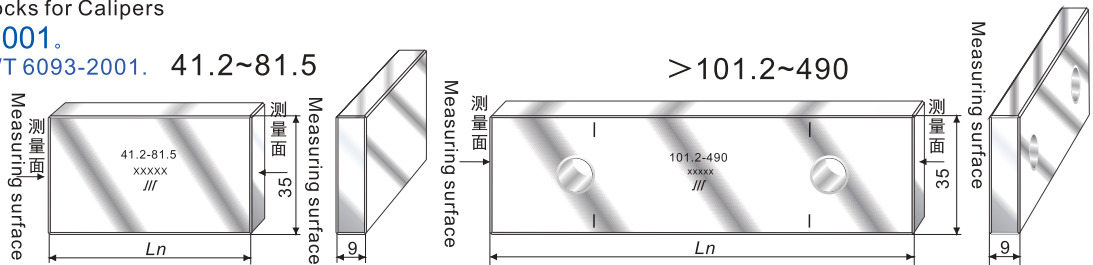
标称长度尺寸 Ln (mm) Nominal length dimension Ln	K级 Level K		0级 Level 0		1级 Level 1		2级 Level 2		3级 Level 3	
	代码 Code	库存 Inventory	代码 Code	库存 Inventory	代码 Code	库存 Inventory	代码 Code	库存 Inventory	代码 Code	库存 Inventory
125	1015001309	订产	1015001300	订产	1015001301	订产	1015001302	订产	1015001303	订产
150	1015001319	订产	1015001310	订产	1015001311	订产	1015001312	订产	1015001313	订产
175	1015001329	订产	1015001320	订产	1015001321	订产	1015001322	订产	1015001323	订产
200	1015001339	订产	1015001330	订产	1015001331	订产	1015001332	订产	1015001333	订产
250	1015001349	订产	1015001340	订产	1015001341	订产	1015001342	订产	1015001343	订产
300	1015001359	订产	1015001350	订产	1015001351	订产	1015001352	订产	1015001353	订产
400	1015001369	订产	1015001360	订产	1015001361	订产	1015001362	订产	1015001363	订产
500	1015001379	订产	1015001370	订产	1015001371	订产	1015001372	订产	1015001373	订产
600	1015001389	订产	1015001380	订产	1015001381	订产	1015001382	订产	1015001383	订产
700	1015001399	订产	1015001390	订产	1015001391	订产	1015001392	订产	1015001393	订产
800	1015001409	订产	1015001400	订产	1015001401	订产	1015001402	订产	1015001403	订产
900	1015001419	订产	1015001410	订产	1015001411	订产	1015001412	订产	1015001413	订产
1000	1015001429	订产	1015001420	订产	1015001421	订产	1015001422	订产	1015001423	订产

## 单块卡尺专用量块

Single Special Gauge Blocks for Calipers

执行标准: GB/T 6093-2001.

Executive standard: GB/T 6093-2001. 41.2~81.5



标称长度尺寸 Ln (mm) Nominal length dimension Ln	0级 Level 0		1级 Level 1		2级 Level 2		3级 Level 3	
	代码 Code	库存 Inventory	代码 Code	库存 Inventory	代码 Code	库存 Inventory	代码 Code	库存 Inventory
41.2	1015012370	订产	1015012371	订产	1015012372	订产	1015012373	订产
51.2	1015012380	订产	1015012381	订产	1015012382	订产	1015012383	订产
81.5	1015012390	订产	1015012391	订产	1015012392	订产	1015012393	订产
101.2	1015012400	订产	1015012401	订产	1015012402	订产	1015012403	订产
121.5	1015012410	订产	1015012411	订产	1015012412	订产	1015012413	订产
121.8	1015012420	订产	1015012421	订产	1015012422	订产	1015012423	订产
191.8	1015012430	订产	1015012431	订产	1015012432	订产	1015012433	订产
201.5	1015012440	订产	1015012441	订产	1015012442	订产	1015012443	订产
291.5	1015012450	订产	1015012451	订产	1015012452	订产	1015012453	订产
291.8	1015012460	订产	1015012461	订产	1015012462	订产	1015012463	订产
375	1015012470	订产	1015012471	订产	1015012472	订产	1015012473	订产
451.8	1015012480	订产	1015012481	订产	1015012482	订产	1015012483	订产
490	1015012490	订产	1015012491	订产	1015012492	订产	1015012493	订产



## 单块千分尺专用量块

Single Special Gauge Blocks for Micrometers

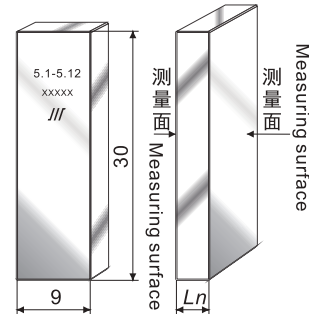
执行标准: GB/T 6093-2001.

Executive standard: GB/T 6093-2001.

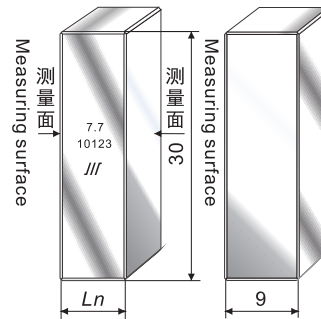
新标千分尺专用单块

Single special gauge block for micrometers (New Standard)

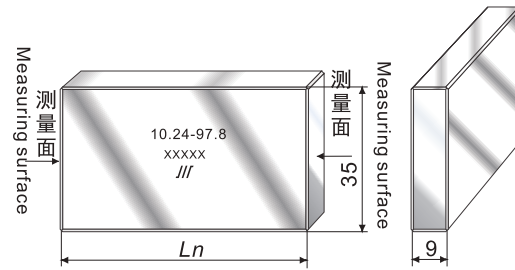
标称长度尺寸 Ln (mm) Nominal length dimension Ln	0级 Level 0		1级 Level 1	
	代码 Code	库存 Inventory	代码 Code	库存 Inventory
5.1	1015012740	订产 Reserve production	1015012741	订产 Reserve production
7.7	1015012750	订产 Reserve production	1015012751	订产 Reserve production
10.3	1015012760	订产 Reserve production	1015012761	订产 Reserve production
12.9	1015012770	订产 Reserve production	1015012771	订产 Reserve production
15	1015012780	订产 Reserve production	1015012781	订产 Reserve production
17.6	1015012790	订产 Reserve production	1015012791	订产 Reserve production
20.2	1015012800	订产 Reserve production	1015012801	订产 Reserve production
22.8	1015012810	订产 Reserve production	1015012811	订产 Reserve production
27.5	1015012820	订产 Reserve production	1015012821	订产 Reserve production
30.1	1015012830	订产 Reserve production	1015012831	订产 Reserve production
32.7	1015012840	订产 Reserve production	1015012841	订产 Reserve production
35.3	1015012850	订产 Reserve production	1015012851	订产 Reserve production
37.9	1015012860	订产 Reserve production	1015012861	订产 Reserve production
42.6	1015012870	订产 Reserve production	1015012871	订产 Reserve production
45.2	1015012880	订产 Reserve production	1015012881	订产 Reserve production
47.8	1015012890	订产 Reserve production	1015012891	订产 Reserve production
52.5	1015012900	订产 Reserve production	1015012901	订产 Reserve production
55.1	1015012910	订产 Reserve production	1015012911	订产 Reserve production
57.7	1015012920	订产 Reserve production	1015012921	订产 Reserve production
60.3	1015012930	订产 Reserve production	1015012931	订产 Reserve production
62.9	1015012940	订产 Reserve production	1015012941	订产 Reserve production
65	1015012950	订产 Reserve production	1015012951	订产 Reserve production
67.6	1015012960	订产 Reserve production	1015012961	订产 Reserve production
70.2	1015012970	订产 Reserve production	1015012971	订产 Reserve production
72.8	1015012980	订产 Reserve production	1015012981	订产 Reserve production
77.5	1015012990	订产 Reserve production	1015012991	订产 Reserve production
80.1	1015013000	订产 Reserve production	1015013001	订产 Reserve production
82.7	1015013010	订产 Reserve production	1015013011	订产 Reserve production
85.3	1015013020	订产 Reserve production	1015013021	订产 Reserve production
87.9	1015013030	订产 Reserve production	1015013031	订产 Reserve production
92.6	1015013040	订产 Reserve production	1015013041	订产 Reserve production
95.2	1015013050	订产 Reserve production	1015013051	订产 Reserve production
97.8	1015013060	订产 Reserve production	1015013061	订产 Reserve production



5.1~5.12



7.7

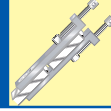


10.24~97.8

单块千分尺专用 (老标) Single special gauge block for micrometers (Old Standard)

Single special gauge block for micrometers (Old Standard)

标称长度尺寸 Ln (mm) Nominal length dimension Ln	0级 Level 0		1级 Level 1		2级 Level 2	
	代码 Code	库存 Inventory	代码 Code	库存 Inventory	代码 Code	库存 Inventory
5.12	1015012560	订产 Reserve production	1015012561	订产 Reserve production	1015012562	订产 Reserve production
10.24	1015012570	订产 Reserve production	1015012571	订产 Reserve production	1015012572	订产 Reserve production
15.36	1015012580	订产 Reserve production	1015012581	订产 Reserve production	1015012582	订产 Reserve production
30.12	1015012590	订产 Reserve production	1015012591	订产 Reserve production	1015012592	订产 Reserve production
35.24	1015012600	订产 Reserve production	1015012601	订产 Reserve production	1015012602	订产 Reserve production
40.36	1015012610	订产 Reserve production	1015012611	订产 Reserve production	1015012612	订产 Reserve production
46.5	1015012620	订产 Reserve production	1015012621	订产 Reserve production	1015012622	订产 Reserve production
55.12	1015012630	订产 Reserve production	1015012631	订产 Reserve production	1015012632	订产 Reserve production
60.24	1015012640	订产 Reserve production	1015012641	订产 Reserve production	1015012642	订产 Reserve production
65.36	1015012650	订产 Reserve production	1015012651	订产 Reserve production	1015012652	订产 Reserve production
71.5	1015012660	订产 Reserve production	1015012661	订产 Reserve production	1015012662	订产 Reserve production
80.12	1015012670	订产 Reserve production	1015012671	订产 Reserve production	1015012672	订产 Reserve production
85.24	1015012680	订产 Reserve production	1015012681	订产 Reserve production	1015012682	订产 Reserve production
90.36	1015012690	订产 Reserve production	1015012691	订产 Reserve production	1015012692	订产 Reserve production
96.5	1015012700	订产 Reserve production	1015012701	订产 Reserve production	1015012702	订产 Reserve production



## 量块夹子

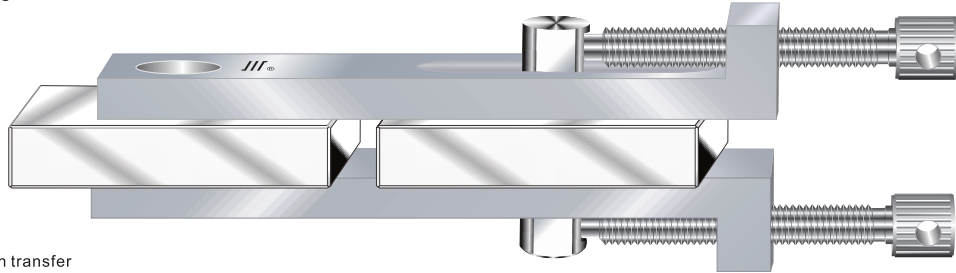
Block Holders

执行标准: JB3323-2017

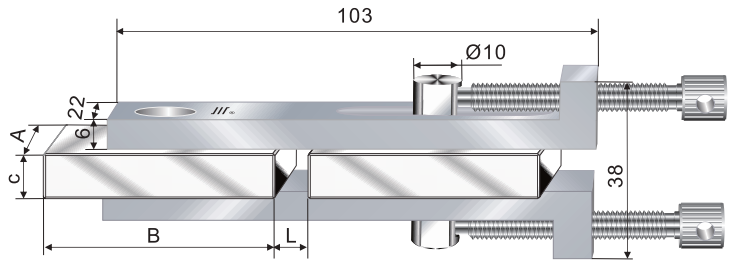
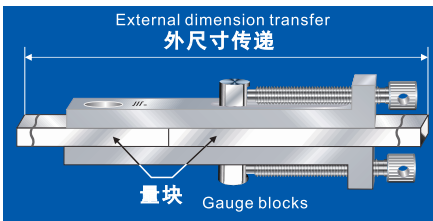
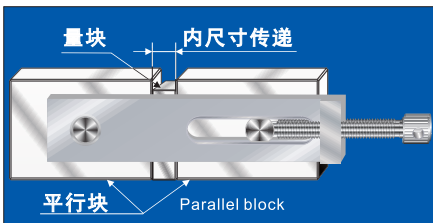
Executive standard: GB/T JB3323-2017.

用途: 用于组合量块传递内、外尺寸。

Application: To combine gauge blocks for inside and outside dimension transfer.



Gauge blocks Internal dimension transfer



代码 Code	名称 Name	单位 Unit	结构尺寸 Structure size					库存 Inventory
			A	B	C	L	H	
1014843003	块规夹子三个组	组	35	50	9	0-25	38	常备 Running stock
1014843005	块规夹子五个组	组	35	50	9	0-25	38	常备 Running stock
Triple block holders set		Set						

F 量块 F. Gauge block



F14



## N.数据传输系统

N. Data Transmission System

数据传输系统  
Data Transmission System

无线传输 ----- N01  
Wireless Transmission



## 测量数据无线传输系统

### Wireless Transmission System for Measuring Data

#### 特点

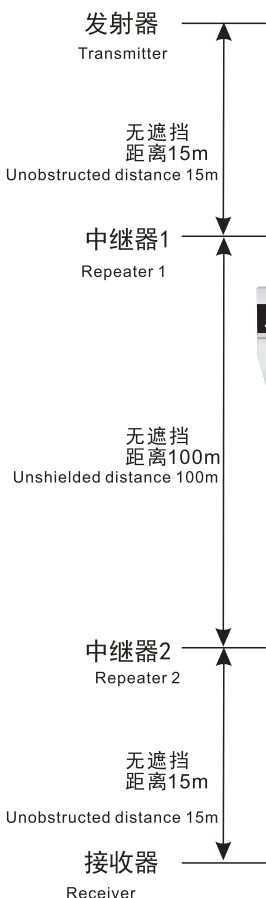
1. 频率2.4G。
2. 直线距离:15m以内,配中继器100m以内。
3. 采集次数:3-5万次。
4. 匹配本公司带Micro USB口或SPC口的数显量具和部分其他公司的数显量具。
5. 接收器和PC的USB口连接,可选择虚拟键盘或虚拟RS232串口向PC上传数据。虚拟键盘无需主动安装任何软件,虚拟RS232可根据现场需求灵活编制软件。
6. 根据现场可选择多对一、多对多等工作方式,每个发射器、接收器都有独立的ID号。
7. 接收器USB供电,发射器电池CR20328.发射器将数据采集并发送时有灯提示。
8. 发射器将数据采集并发送时有灯提示。
9. 选配:中继器中继器采用220v供电,其天线可扳动90度并随意转动,中继器之间的直线距离100m以内,中继器和发射器、接收器之间的直线距离15m以内

#### Characteristics

1. Frequency: 2.4G
  2. Linear distance: within 15m, and within 100m with the presence of a repeater
  3. Acquisition times: 30,000-50,000
  4. Assorted with the company's digital gages with SPC interface and some digital gages from other companies
  5. USB interface connection of receiver and PC: a virtual keyboard or virtual RS232 serial port can be chosen to upload data to the PC. The virtual keyboard does not need to carry any software; the virtual RS232 can have software that is flexibly programmed according to field requirements.
  6. Operating mode, either many-to-one or many-to-many can be chosen based on the field; each transmitter and receiver have an independent ID.
  7. Receiver USB's power supply transmitter cell Cr2032.
  8. When the transmitter collects and sends data, there is a light prompt.
  9. Optional: Repeater
- The repeater uses 220v power supply, and its antenna can be flipped 90 degrees and rotated at will. The linear distance between the repeater is within 100m, and the linear distance between the repeater, transmitter and receiver is within 15m.



Transmitter FSA-B  
发射器 FSA-B  
代码101390000075  
Code 101390000075



发射器 FSA-K  
代码101390000076  
Code 101390000076

发射器 FSA-Q  
代码101390000074  
Code 101390000074



中继器 ZJQA Repeater ZJQA  
代码101390000072  
Code 101390000072



Transmitter FSA-Q



接收器 Receiver  
代码101390000069  
Code 101390000069

N01

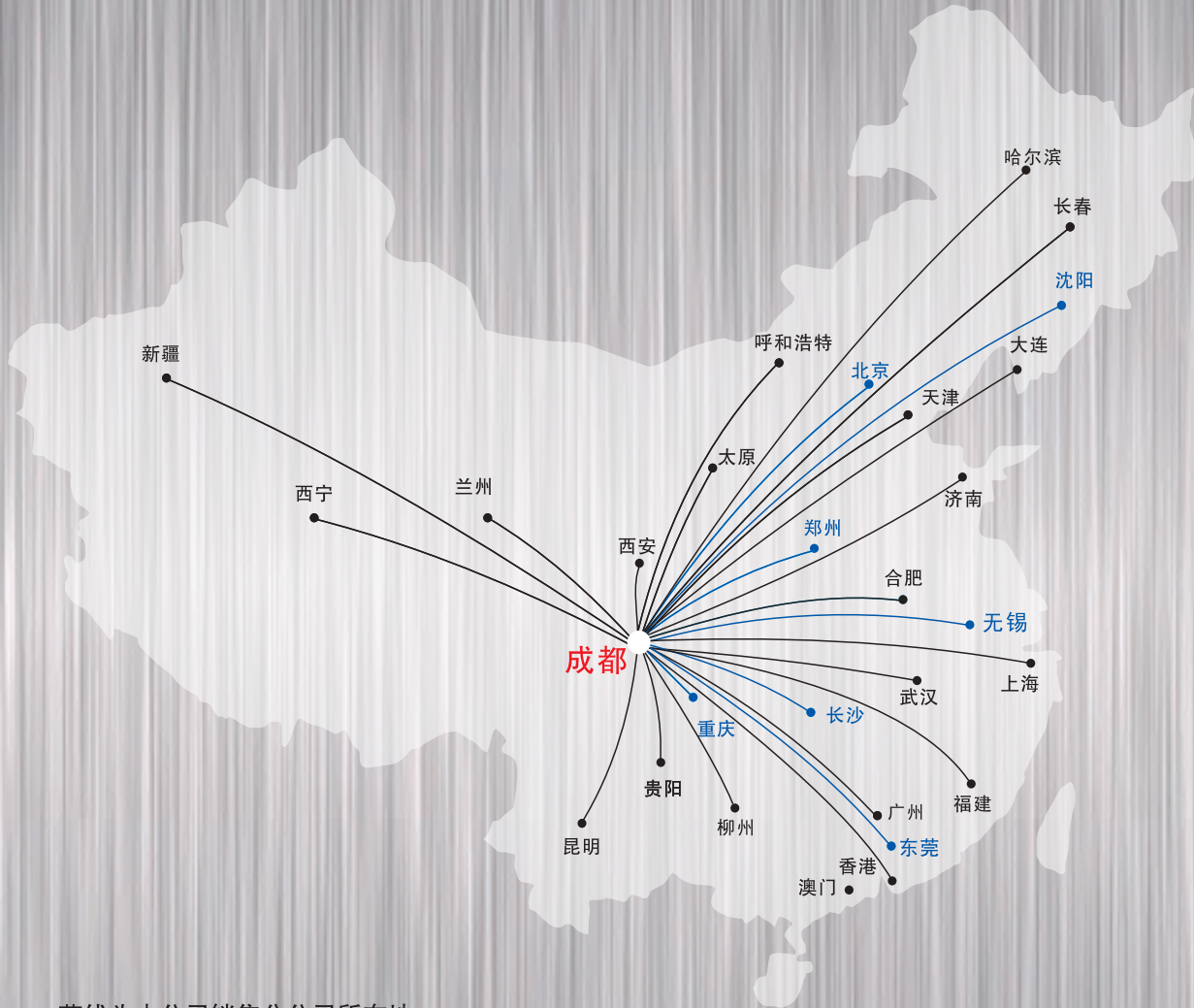


# 公司体系认证和产品认证情况

Company System Certification and Product Certification

质量管理体系认证 Quality Management System Certification	ISO9001:2015
环境管理体系认证 Environment Management System Certification	ISO14001:2015
测量管理体系认证 Measurement Management System Certification	ISO10012:2003
美国石油协会产品认证 American Petroleum Institute Product Certification	API SPEC 5B API SPEC 7-2 API SPEC 11B





蓝线为本公司销售分公司所在地

The blue line represents the location of the company's sales branch



## 成都新成量工具有限公司

CHENGDU NEW CHENGLIANG TOOLS CO., LTD.

地址：四川省成都市新都区绕城大道南一段199号

Address: No. 199, South Block 1, Circle City Road, Xindu District, Chengdu, Sichuan

网址: [www.chinachengliang.com](http://www.chinachengliang.com)  
 Website: [www.chinachengliang.com](http://www.chinachengliang.com)  
 英文网址: [www.chinachengliang.net](http://www.chinachengliang.net)  
 English website: [www.chinachengliang.net](http://www.chinachengliang.net)  
 Email: [sale@chinachengliang.com](mailto:sale@chinachengliang.com)  
 Email for Foreign Trade: [market@chinachengliang.com](mailto:market@chinachengliang.com)

服务电话: 400-9900-820  
 Service Hotline

国内通用产品销售部电话: 028-83059888  
 Domestic General Products Sales Dept. Tel

国际贸易部电话: 028-83059868  
 International Trade Dept. Tel

数控合金刀具销售部电话: 028-83059801  
 CNC Alloy Tools Sales Dept. Tel

量规销售部电话: 028-83059702  
 Gauge Sales Dept. Tel.

客户服务部电话: 028-83059288  
 Customer Service Dept. Tel.